

Dreame H11

Wet and Dry Vacuum

User Manual

Please read this manual carefully before use and retain it for future reference.

dreame

THANK YOU

FOR PURCHASING THIS DREAME
WET AND DRY VACUUM.

Registration Quick Start

Welcome to register a Dreame account by scanning the QR code. You are available for the **User Manual** and **Special Offers**.



With it you are obtaining a high quality product that is engineered for optimal performance.

If you have any questions on the product, please contact us: aftersales@dreame.tech.

Contents

EN	Dreame H11 Wet and Dry Vacuum User Manual	001
DE	Dreame H11 Kabellos Nass-Trockensauger Bedienungsanleitung	021
FR	Dreame H11 Aspirateur eau et poussière sans fil Manuel d'utilisation	041
IT	Dreame H11 Aspirapolvere Secco Umido senza Fili Manuale d'Uso	061
ES	Manual de Usuario de Aspirador Inalámbrico Seco-Húmedo Dreame H11	081
RU	Беспроводной пылесос для влажной и сухой уборки Dreame H11 Инструкция по эксплуатации	101
PL	Instrukcja obsługi Bezprzewodowego Odkurzacza do pracy na sucho i mokro Dreame H11	121
HE	שואב אבק אלחוטי H11 של Dreame מדריך למשתמש	141
SA	مكنسة دريم اللاسلكية للاستخدام الرطب والجاف H11 دليل الاستخدام	161

Important Safety Instructions For Household Use Only

- When using an electrical appliance, basic precautions should always be followed, including the following:
- READ ALL INSTRUCTIONS BEFORE USING (THIS APPLIANCE). Failure to follow the warnings and instructions may result in electric shock, fire and/or serious injury.

WARNING- To reduce the risk of fire, electric shock, or injury:

- Use only as described in this user guide. Use only manufacturer's recommended attachments.
- Use indoors only, on non-carpeted floor surfaces such as vinyl, tile, sealed wood, etc. Be careful not to run over loose objects or edges of area rugs. Stalling the brush may result in premature belt failure.
- Do not allow to be used as a toy. Close attention is necessary when used by or near children, pets or plants.
- Do not use a flammable or combustible liquid to clean a floor./Do not use to pick up flammable or combustible liquids, such as gasoline, or use in areas where they may be present.
- For the purposes of recharging the battery, only use the detachable supply unit provided with this appliance. Use only with YLS0251B-E260090 (EU) / YLS0251A-A260090 (AU) supply unit.
- Recharge the vacuum only with the charger specified by the manufacturer. A charger that is suitable for one type of battery pack may create a risk of fire when used with another battery pack.
- Do not immerse the vacuum in liquid. Use only on floor moistened by cleaning process.
- This appliance can be used by children aged from 8 years and above and persons with reduced physical, sensory or mental capabilities or lack of experience and knowledge if they have been given supervision or instruction concerning use of the appliance in a safe way and understand the hazards involved. Children shall not play with the appliance. Cleaning and user maintenance shall not be made by children without supervision.
- This appliance is not intended for use by persons (including children) with reduced physical, sensory or mental capabilities, or lack of experience and knowledge, unless they have been given supervision or instruction concerning use of the appliance by a person responsible for their safety.
- Children should be supervised to ensure that they do not play with the appliance.
- Plastic film can be dangerous. To avoid the danger of suffocation, keep it away from children.
- Keep hair, loose clothing, fingers, and all parts of the body away from openings and moving parts of the appliance and its accessories.

Safety Information

- Only use the type and amount of liquids specified under the operations section of this guide. Liquid must not be directed towards equipment containing electrical components.
- Do not put any object into openings. Do not use the vacuum when any opening is blocked; keep free of dust, lint, hair, and anything that may reduce air flow.
- Do not use it without filters in place.
- Do not use the vacuum with damaged cord or plug. If the cord or plug is damaged, it must be replaced by the manufacturer, its service agent or similarity qualified persons in order to avoid a hazard.
- Do not use the vacuum to pick up flammable or combustible liquids, such as petroleum, or use the vacuum in areas where they may be present.
- Do not pick up toxic material (chlorine bleach, ammonia, drain cleaner, etc.). Do not pick up hard or sharp objects such as glass, nails, screws, coins, etc..
- Do not use the appliance in an enclosed space filled with vapour given off by oil-based paint, paint thinner, some moth-proofing substances, flammable dust, or other explosive or toxic vapour. Do not pick up anything that is burning or smoking, such as cigarettes, matches or hot ashes.
- Do not charge the unit outdoors. Do not recharge, disassemble, heat above 60° C, or incinerate.
- Charger base output terminals should not be short-circuited. Do not use it with damaged cable or charger. If the appliance has been dropped, damaged, left outdoors, dropped into water, or is not working as it should, return it to a service center.
- Keep the charger cable away from heated surfaces. Do not handle the charger plug or appliance with wet hands. To unplug, grasp the charger plug, rather than the cable.
- Do not pull or carry charger by cable, use cable as a handle, close door on cable, or pull cable around sharp edges or corners.
- Switch off when not in use, before cleaning, maintaining or servicing the appliance, and before connecting or disconnecting the tool with a moving brush.
- The appliance must be disconnected from the power supply when removing the battery. Keep batteries out of the reach of children. Never put batteries in mouth. If swallowed, contact your physician or local poison control.
- Do not use appliance that is damaged or modified. Damaged or modified batteries may exhibit unpredictable behavior resulting in fire, explosion or risk of injury.
- Do not expose the appliance to fire or excessive temperature. Exposure to fire or temperature above 130° C may cause an explosion.
- Follow all charging instructions and do not charge the appliance outside of the temperature range specified in the battery and increase the risk of fire.
- Do not incinerate the appliance even if it is severely damaged. The battery must be disposed of safely, and it must be removed from the appliance before it is scrapped to avoid an explosion in the fire.
- Under abusive conditions, never contact the battery from which the liquid may be ejected. If contact accidentally occurs, rinse with water. If liquid contacts eyes, seek medical help immediately. Liquid ejected from the battery may cause irritation or burns.
- Ensure that the appliance is placed on a horizontal surface. Do not use the appliance

at the same position if the appliance is equipped with a brush roller and the handle is not completely upright. Do not store the appliance in a place where it may freeze.

- Use extra care when cleaning on stairs.
- Prevent unintentional starting. Ensure the switch is in the OFF-position before picking up or carrying the appliance. Carrying the appliance with your finger on the switch or energizing appliance that have the switch on invites accidents.
- This appliance contains batteries that are only replaceable by skilled persons.

SAVE THESE INSTRUCTIONS IMPORTANT SAFEGUARDS

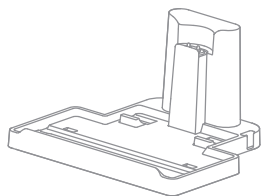
- Have servicing performed by a qualified repair person using only identical replacement parts. This will ensure that the safety of the product is maintained.
- Do not modify or attempt to repair the appliance excepts as indicated in the instructions for use and care.
- Do not use and store in extremely hot or cold environments (below 0°C /32° F or above 40° C/104° F). Please charge the cordless vacuum in temperature above 0°C /32° F and below 40°C /104° F).
- If appliance has been dropped, damaged, left outdoors, dropped into water, or is not working as it should, never attempt to operate it. Please have it repaired at an authorized service center.

We, Dreame Trading (Tianjin) Co., Ltd., hereby, declares that this equipment is in compliance with the applicable Directives and European Norms, and amendments. The full text of the EU declaration of conformity is available at the following internet address: www.dreame-technology.com

For detailed e-manual, please go to <https://www.dreame-technology.com/pages/user-manuals-and-faqs>

EN Product Overview

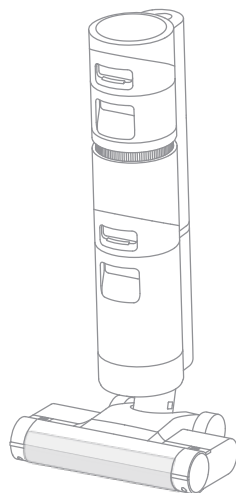
Packing List



Charging Base



Handle Assembly



Main Body



Back-up Filter



Cleaning Brush



Power Adapter

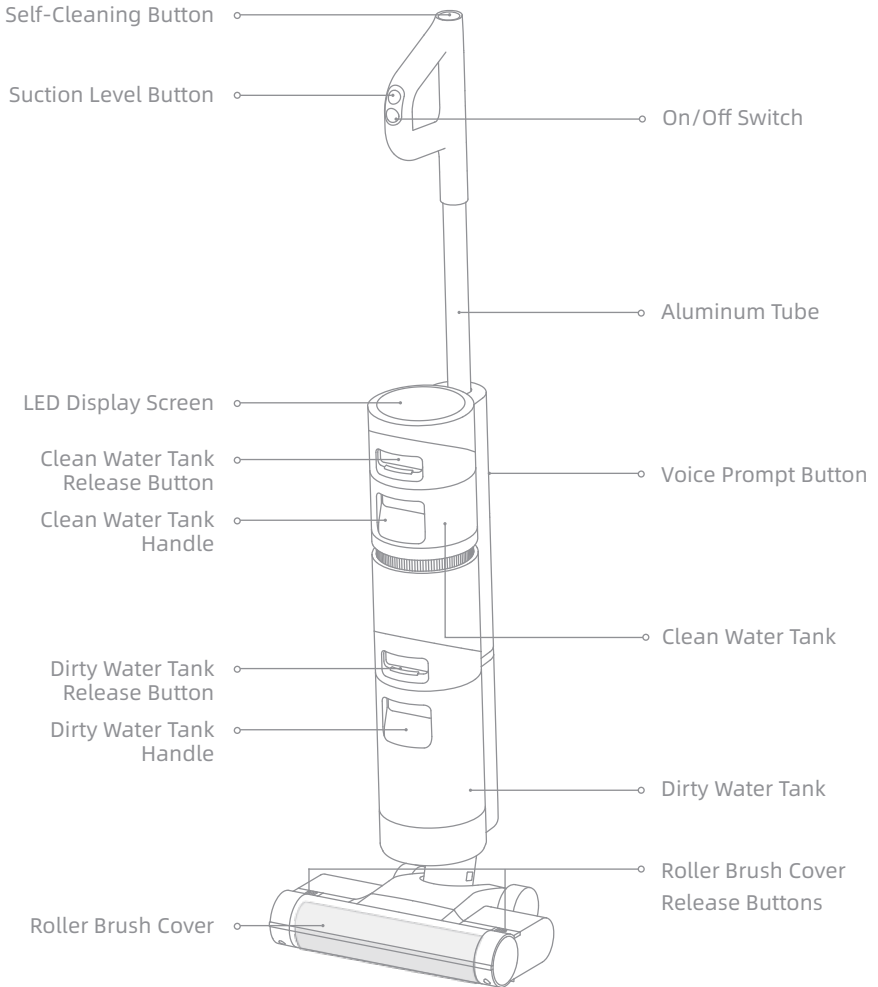


Accessory Holder

Note: The images in this manual are for illustrative purposes only. The actual product may differ.

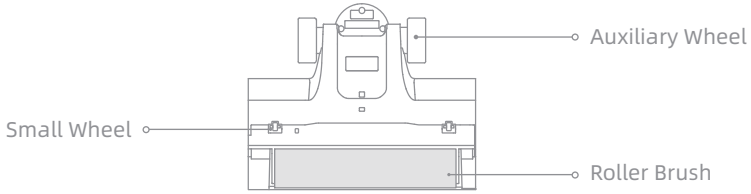
Product Overview

Vacuum

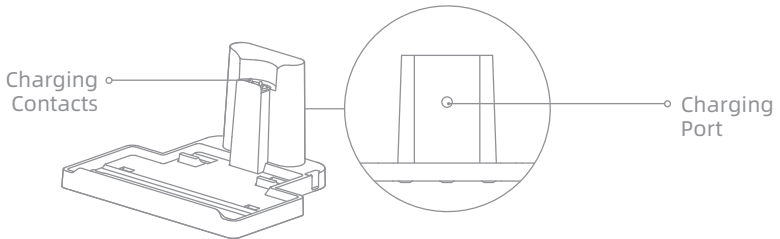


EN Product Overview

Roller Brush Assembly

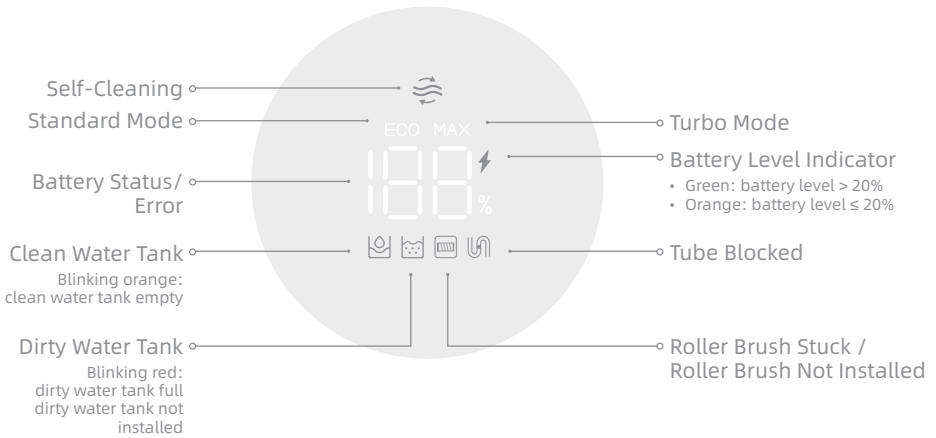


Charging Base

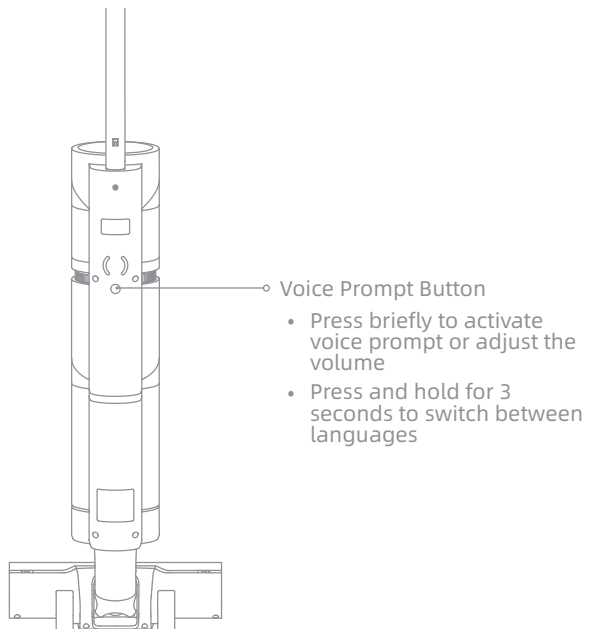


Product Overview

Display Screen



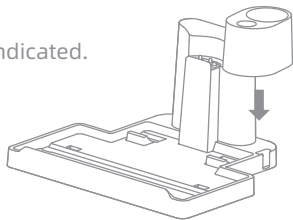
Voice Prompt Button



Installation

Charging Base Installation

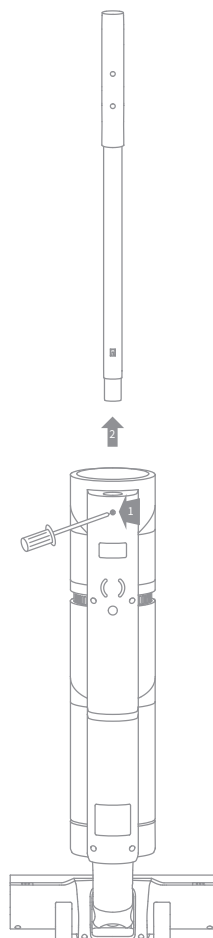
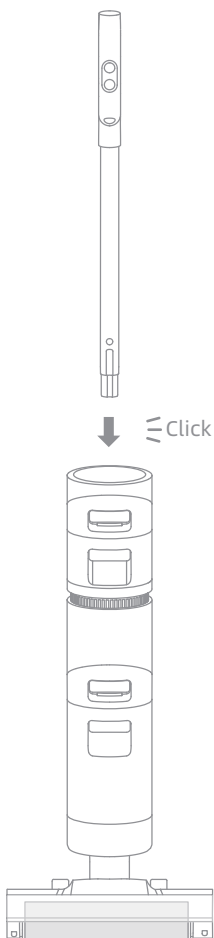
Install the accessory holder into the charging base as indicated.



Vacuum Installation Diagram

Insert the end of the handle assembly vertically into the port on the top of the vacuum as indicated, you will feel it click in place.

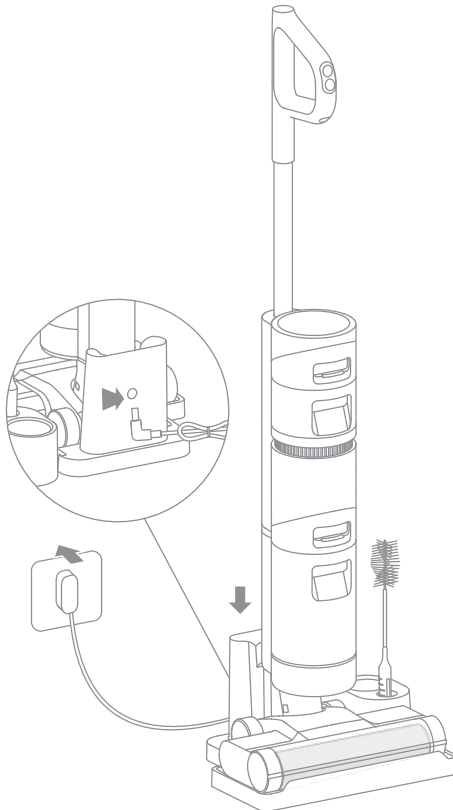
Note: To disassemble the handle, please use a hard object to reach into the hole on the back of the vacuum to press the contacts, and at the same time pull the handle upwards.



Charging

Note: Fully charge the vacuum before using it for the first time.

1. Place the charging base on the level ground against a wall. Connect one end of the power adapter to the charging base and another end to a home socket.
2. Place the vacuum on the charging base, the ⚡ on the screen lights up to indicate the charging status. The number on the display screen represents the current battery level in a percentage during charging. When the number is at 100, the battery is fully charged. Once the vacuum is fully charged, the indicator will turn off after 10 seconds.



Note: No operation for 15 minutes after being fully charged, the vacuum begins sleeping.

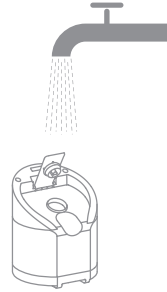
How to Use

Fill the Clean Water Tank

1. Press the clean water tank release button and pull the tank outward to remove it.



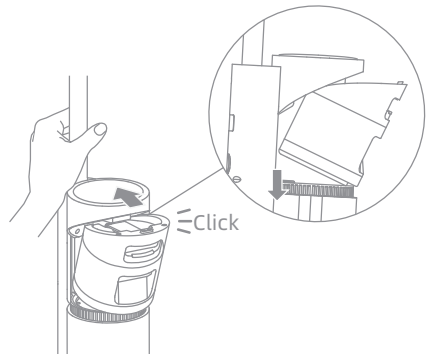
2. Open the tank cover and add enough clean water to the clean water tank.



3. Tightly close the tank cover after the water has been added.





4. Install the clean water tank into the main body until you hear a click.

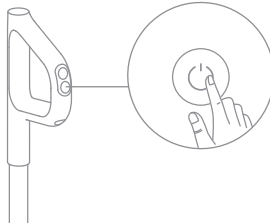


How to Use

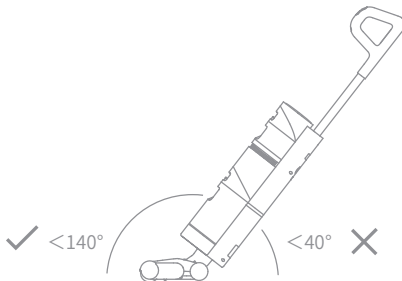
Start Cleaning

The vacuum is equipped with an upright/tilt switch. Please use it at an angle after turning it on.

Short press the  to power on and the vacuum starts cleaning. Press  again to stop working.



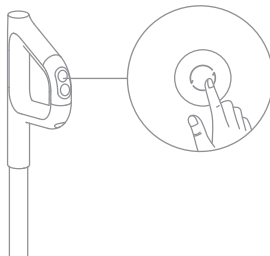
Note: When the vacuum is working, do not lift it up and down or move it, and do not tilt the vacuum to one side or lay it flat to protect against the dirty water back into the vacuum.



Do not recline the vacuum more than 140° to protect against water leakage.

Switch Suction Level

The vacuum is powered on by default in Standard mode. You can press the suction level button to enter the Turbo mode according to actual needs.



Care & Maintenance

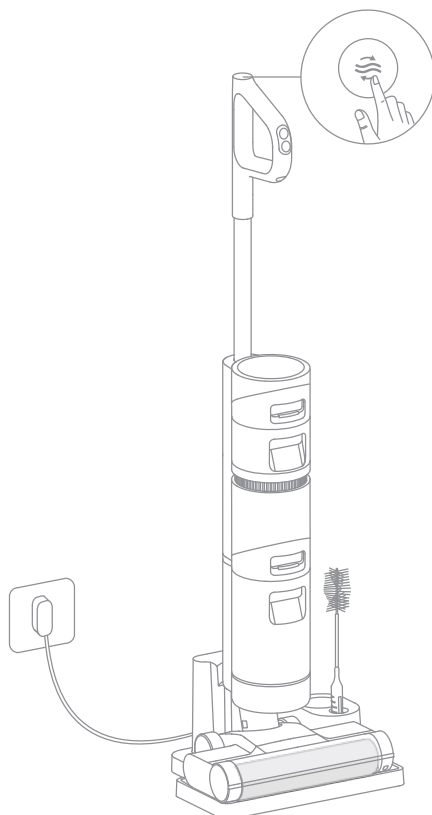
Tips:

1. Make sure the vacuum is unplugged in and not working.
2. Parts need to be replaced if necessary. Please use the parts designated by the original factory to avoid damage to the product due to unsuitability.
3. If the vacuum is not used for an extended period, fully charge it, unplug its charger, and store it in a cool, low-humidity environment away from direct sunlight. To avoid over-discharge of the battery, recharge the vacuum at least once every 3 months.


One-Click Self-Cleaning

* The self-cleaning function can be enabled only when the vacuum is charged and the battery level is more than 10%.

1. Place the vacuum upright on the charging base after designated cleanups and make sure the clean water tank is full.
2. Press the self-cleaning button on the top of the handle briefly, the self-cleaning indicator lights up on the screen and the self-cleaning starts.
3. The vacuum will continue to recharge after the self-cleaning is finished.



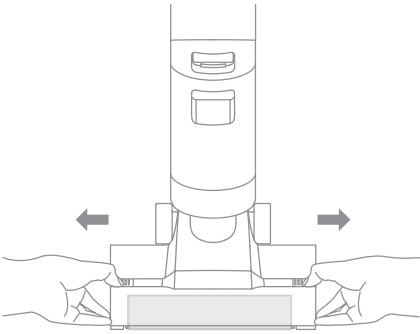
Note:

- If the deep self-cleaning is needed, press and hold the  button to activate the deep self-cleaning function. Please fill the clean water tank and empty the dirty water tank before activation, and this function can be activated only when the vacuum is charged and the battery level is more than 30%.
- After self-cleaning is completed, clean the dirty water tank in time. If there are residual stains on the base, please clean up the base in time.

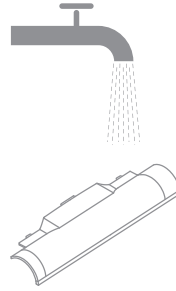
Care & Maintenance

Clean the Roller Brush Cover * Clean it as needed.

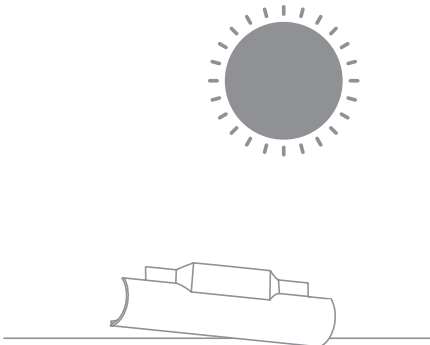
1. As shown in the figure, press the roller brush cover release buttons on both sides outward to remove the roller brush cover.



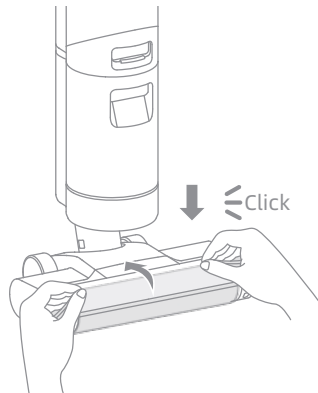
2. Rinse the roller brush cover with clean water until it is clean.



3. The cover must be thoroughly dried before use.



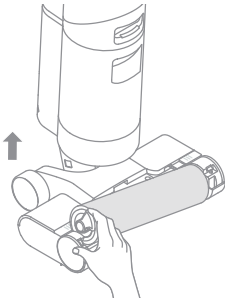
4. Align the brush cover with the right slot on the vacuum and press the cover down until you hear a click.



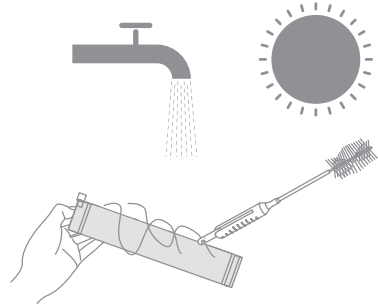
Care & Maintenance

Clean the Roller Brush * Clean it as needed, it is recommended to replace it every 3 to 6 months.

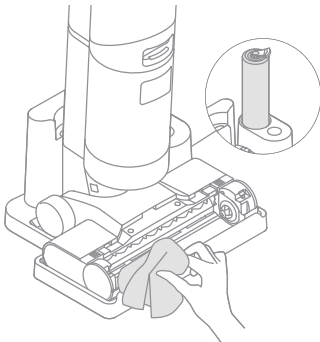
1. Pull up the left handle of the roller brush and take it out.



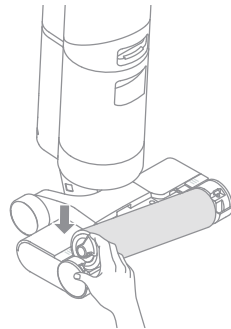
2. Use the included cleaning brush to remove hairs and debris that get stuck in the roller brush and rinse it with clean water. The roller brush must be thoroughly dried before use.



3. Wipe the dust from the dust intake with a dry cloth or paper towel. Never rinse it with water.



4. After cleaning is completed, align the right end of the roller brush with the right slot on the vacuum and push the left end into the left slot on the vacuum until it clicks into place.



Care & Maintenance

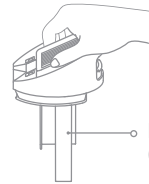
Clean the Dirty Water Tank

* It is recommended to empty the dirty water tank after each use, and before and after the self-cleaning function is enabled.

1. Press the dirty water tank release button and pull it out as indicated.



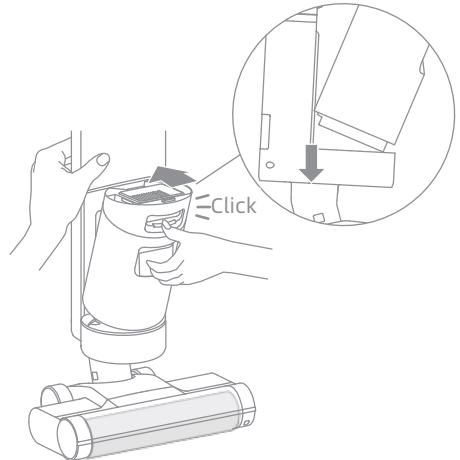
2. Hold the tank with one hand and pull up the tank cover with another hand to pour out the dirty water.



3. Rinse the tank and tank cover with clean water. Clean the inner wall of the tank with the included cleaning brush.



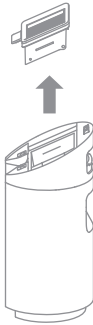
4. After the cleaning is completed, close the tank cover, snap the bottom of the tank into the support position of the vacuum, and gently push the tank until you hear a click.



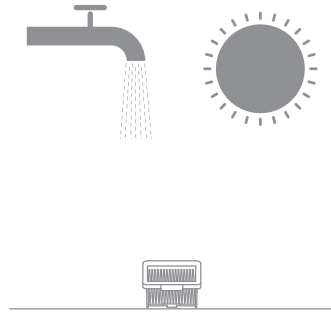
Care & Maintenance

Clean the Filter * It is recommended to clean it after each use and replace it every 3 to 6 months.

1. Remove the filter from the top of the dirty water tank.

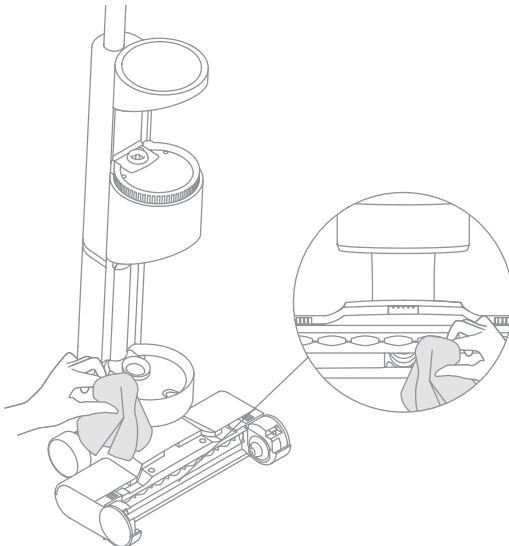


2. Rinse the filter with clean water. Thoroughly dry it before re-installing it.



Clean the Tube

Remove the dirty water tank, wipe it with a damp cloth to clean up the dirt in the tube before use.







Error	Possible Cause	Solution
The vacuum does not work.	The handle assembly has not been installed in place.	Reinstall the handle assembly.
	The vacuum is out of battery or low on power.	Fully charge the vacuum, then continue to use it.
	The vacuum is upright.	Recline the vacuum.
	The roller brush has not been installed in place, or the roller brush is stuck.	Reinstall or clean the roller brush.
	The dirty water tank has not been installed in place.	Reinstall the dirty water tank.
	The dirty water tank is full.	Empty the dirty water tank.
Weak suction force.	The filter is clogged.	Clean the filter.
	The roller brush cover, filter, and clean water tank have not been installed in place.	Make sure the parts have been installed in place before use.
	The roller brush is entangled by hairs.	Refer to the maintenance manual [Clean the Roller Brush] section.
	There are some foreign objects in the tube or the tube is blocked.	Clean the tube.
The motor is making a strange noise.	Too much dirty water in the dirty water tank.	Empty the dirty water tank.
	The main suction opening is blocked.	Clear any blockage in the main suction opening.
The battery status indicator does not light up while charging.	The power adapter is not plugged into the electrical outlet.	Make sure the power adapter is plugged in properly.
	The power adapter is not connected to the charging base properly.	Make sure they are connected properly.

Error	Possible Cause	Solution
The battery status indicator does not light up while charging.	The charging base is not connected to the vacuum properly.	Make sure the vacuum is in place.
No water flow comes out of the vacuum.	The clean water tank has not been installed in place, or the clean water tank is empty.	Reinstall or fill the clean water tank.
Water leakage from the top of the dirty water tank.	A collision or a sharp pull causes water to enter the motor.	Move gently back and forth when the vacuum is turned on.
	The filter is not completely dry after being cleaned.	Thoroughly dry the filter before use.
Self-cleaning failed.	The roller brush may be jammed by large particles.	Open the brush cover to check and clean the roller brush.
	The vacuum is not being charged.	Make sure the vacuum is charged before activating the self-cleaning function.
	The self-cleaning cannot be started if the battery level is less than 10%.	The self-cleaning function can be enabled only when the vacuum is charged and the battery level is more than 10%.
	The dirty water tank has not been installed in place, or the dirty water tank is full.	Reinstall or empty the dirty water tank.
	The clean water tank has not been installed in place, or the clean water tank is empty.	Reinstall or fill the clean water tank.

Troubleshooting

If the vacuum is not working properly, the screen display will show an error message. Please refer to the troubleshooting table to find your solution.

Error Icon	Possible Cause	Solution
	Clean water tank empty	Fill the clean water tank.
	Dirty water tank not installed	Install the dirty water tank.
	Dirty water tank full	Empty the dirty water tank.
	Roller brush stuck	Clean the roller brush with the included cleaning brush.
	Roller brush not installed	Install the roller brush.
	Tube blocked	Check whether the filter is clogged.
		Refer to the maintenance manual [Clean the Tube] section.

Troubleshooting Code	Possible Cause	Solution
E1/EE/EF	Motor error	Please contact customer service.
E2/E3/E7/E8/E9	Battery failure	Please contact customer service.
E4/E5	Power adapter incompatible	Please use the original power adapter, or contact customer service.
E6	Battery overheating	Wait until the battery's temperature returns normal, then continue to use the vacuum.

EN Specifications

Vacuum			
Model	VWV7	Charging Time	Approx. 3 hours
Rated Voltage	21.6 V ---	Charging Voltage	26 V ---
Rated Power	170 W	Rated Capacity	2300 mAh
Nominal Capacity	2500 mAh	Dirty Water Tank Capacity	500 mL
Clean Water Tank Capacity	900 mL		
Power Adapter			
Model	YLS0251B-E260090 (EU) / YLS0251A-A260090 (AU)	Average Active Efficiency	87.28%
Input	100-240 V ~ 50/60 Hz 0.8 A Max	Efficiency at Low Load (10%)	79.74%
Output	26 V --- 0.9 A	No-Load Power Consumption	0.08 W

- This product contains batteries that can only be replaced by qualified technicians or after-sales service.
- This product contains batteries that are non-replaceable.
- The lithium-ion battery pack contains substances that are hazardous to the environment. Before disposing of the vacuum, please follow the below instructions:
 - Before removing the battery, disconnect the power and run out the battery as much as possible, then remove the bottom cover of the device by unscrewing the screws.
 - Disconnect the terminals to remove the battery. To avoid the risk of hazard, do not damage the battery cover .
 - Then discard, or recycle the battery in accordance with local laws and regulations of the country or region it is used in.

WEEE Information



All products bearing this symbol are waste electrical and electronic equipment (WEEE as in directive 2012/19/EU) which should not be mixed with unsorted household waste. Instead, you should protect human health and the environment by handing over your waste equipment to a designated collection point for the recycling of waste electrical and electronic equipment, appointed by the government or local authorities. Correct disposal and recycling will help prevent potential negative consequences to the environment and human health. Please contact the installer or local authorities for more information about the location as well as terms and conditions of such collection points.

Wichtige Sicherheitshinweise Nur für den Hausgebrauch

- Bei der Verwendung eines elektrischen Geräts sollten immer grundlegende Vorsichtsmaßnahmen beachtet werden, einschließlich der folgenden:
- **LESEN SIE ALLE ANWEISUNGEN, BEVOR SIE DIESES GERÄT VERWENDEN.** Die Nichtbeachtung der Warnhinweise und Anweisungen kann zu einem elektrischen Schlag, Brand und/oder schweren Verletzungen führen.

WARNUNG- Um die Gefahr von Bränden, Stromschlägen oder Verletzungen zu verringern:

- Verwenden Sie das Gerät nur wie in dieser Bedienungsanleitung beschrieben. Verwenden Sie nur das vom Hersteller empfohlene Zubehör.
- Verwenden Sie das Gerät nur in Innenräumen, auf nicht mit Teppichboden versehenen Böden wie Vinyl, Fliesen, versiegeltem Holz usw. Achten Sie darauf, nicht über lose Gegenstände oder Kanten von Teppichen zu fahren. Ein Abwürgen der Bürste kann zu einem vorzeitigen Ausfall des Riemens führen.
- Darf nicht als Spielzeug verwendet werden. Bei Verwendung durch oder in der Nähe von Kindern, Haustieren oder Pflanzen ist große Aufmerksamkeit notwendig.
- Verwenden Sie keine entflammaren oder brennbaren Flüssigkeiten zum Reinigen eines Bodens./Verwenden Sie das Gerät nicht zum Aufnehmen von entflammaren oder brennbaren Flüssigkeiten, wie z. B. Benzin, und verwenden Sie es nicht in Bereichen, in denen diese vorhanden sein könnten.
- Verwenden Sie zum Aufladen des Akkus nur die abnehmbare Versorgungseinheit, die mit diesem Gerät geliefert wird. Verwenden Sie nur die YLS0251B-E260090 (EU) / YLS0251A-A260090 (AU) Versorgungseinheit.
- Laden Sie den Sauger nur mit dem vom Hersteller angegebenen Ladegerät auf. Ein Ladegerät, das für einen Akkutyp geeignet ist, kann bei Verwendung mit einem anderen Akkutyp eine Brandgefahr darstellen.
- Tauchen Sie den Sauger nicht in Flüssigkeit ein. Verwenden Sie es nur auf dem durch den Reinigungsvorgang befeuchteten Boden.
- Dieses Gerät kann von Kindern ab 8 Jahren und darüber sowie von Personen mit verringerten physischen, sensorischen oder mentalen Fähigkeiten oder Mangel an Erfahrung und Wissen benutzt werden, wenn sie beaufsichtigt oder bezüglich des sicheren Gebrauchs des Geräts unterwiesen werden und die daraus resultierenden Gefahren verstehen. Kinder dürfen nicht mit dem Gerät spielen. Die Reinigung und Benutzerwartung darf nicht von Kindern ohne Aufsicht durchgeführt werden.
- Kunststoffolie kann gefährlich sein. Um die Gefahr des Erstickens zu vermeiden, halten Sie sie von Kindern fern.
- Halten Sie Haare, lose Kleidung, Finger und alle Körperteile von den Öffnungen und beweglichen Teilen des Geräts und seines Zubehörs fern.
- Verwenden Sie nur die Art und Menge der Flüssigkeiten, die im Abschnitt "Bedienung" in dieser Anleitung angegeben sind. Die Flüssigkeit darf nicht auf Geräte mit elektrischen Bauteilen gerichtet werden.
- Stecken Sie keine Gegenstände in die Öffnungen. Verwenden Sie das Gerät nicht, wenn eine Öffnung blockiert ist; halten Sie es frei von Staub, Flusen, Haaren und allem, was den Luftstrom reduzieren könnte.
- Verwenden Sie es nicht ohne eingesetzte Filter.

Sicherheitsinformationen

- Verwenden Sie das Gerät nicht mit beschädigtem Kabel oder Stecker. Wenn das Kabel oder der Stecker beschädigt ist, muss es durch den Hersteller, seinen Kundendienst oder ähnliche qualifizierte Personen ersetzt werden, um eine Gefährdung zu vermeiden.
- Verwenden Sie das Gerät nicht, um entflammbare oder brennbare Flüssigkeiten, wie z. B. Petroleum, aufzusaugen, oder verwenden Sie das Gerät nicht in Bereichen, in denen diese vorhanden sein könnten.
- Nehmen Sie kein giftiges Material auf (Chlorbleiche, Ammoniak, Abflussreiniger usw.). Heben Sie keine harten oder scharfen Gegenstände wie Glas, Nägel, Schrauben, Münzen usw. auf.
- Verwenden Sie das Gerät nicht in einem geschlossenen Raum, der mit Dämpfen gefüllt ist, die von ölhaltigen Farben, Farbverdünnern, einigen Mottenschutzmitteln, brennbarem Staub oder anderen explosiven oder giftigen Dämpfen abgegeben werden. Nehmen Sie keine brennenden oder rauchenden Gegenstände auf, wie z. B. Zigaretten, Streichhölzer oder heiße Asche.
- Laden Sie das Gerät nicht im Freien auf. Nicht wieder aufladen, zerlegen, über 60° C erhitzen oder verbrennen.
- Die Ausgangsklemmen der Ladestation dürfen nicht kurzgeschlossen werden. Verwenden Sie sie nicht mit einem beschädigten Kabel oder Ladegerät. Wenn das Gerät heruntergefallen ist, beschädigt wurde, im Freien gelassen wurde, ins Wasser gefallen ist oder nicht ordnungsgemäß funktioniert, bringen Sie es zu einem Service Center.
- Halten Sie das Ladekabel von erhitzten Oberflächen fern. Fassen Sie den Ladestecker oder das Gerät nicht mit nassen Händen an. Fassen Sie zum Ausstecken den Stecker des Ladegeräts an und nicht das Kabel.
- Ziehen oder tragen Sie das Ladegerät nicht am Kabel, verwenden Sie das Kabel nicht als Griff, schließen Sie die Tür nicht am Kabel, und ziehen Sie das Kabel nicht um scharfe Kanten oder Ecken.
- Schalten Sie das Gerät aus, wenn Sie es nicht benutzen, bevor Sie es reinigen, pflegen oder warten, und bevor Sie das Werkzeug mit einer beweglichen Bürste anschließen oder trennen.
- Beim Entfernen der Batterie muss das Gerät von der Stromversorgung getrennt werden. Bewahren Sie Batterien außerhalb der Reichweite von Kindern auf. Nehmen Sie Batterien niemals in den Mund. Wenn sie verschluckt werden, wenden Sie sich an Ihren Arzt oder den örtlichen Giftnotruf.
- Verwenden Sie kein Gerät, das beschädigt oder modifiziert ist. Beschädigte oder modifizierte Batterien können ein unvorhersehbares Verhalten zeigen, was zu Feuer, Explosion oder Verletzungsgefahr führen kann.
- Setzen Sie das Gerät keinem Feuer oder übermäßigen Temperaturen aus. Die Exposition gegenüber Feuer oder Temperaturen über 130° C kann eine Explosion verursachen.
- Befolgen Sie alle Ladeanweisungen und laden Sie das Gerät nicht außerhalb des in der Batterie angegebenen Temperaturbereichs und erhöhen Sie nicht die Brandgefahr.
- Verbrennen Sie das Gerät nicht, auch wenn es stark beschädigt ist. Die Batterie muss sicher entsorgt werden. Sie muss vor der Verschrottung aus dem Gerät entfernt werden, um eine Explosion im Feuer zu vermeiden.
- Berühren Sie unter missbräuchlichen Bedingungen niemals die Batterie, aus der die Flüssigkeit herausspritzen kann. Wenn es versehentlich zu einem Kontakt kommt, spülen Sie mit Wasser. Wenn Flüssigkeit in die Augen gelangt, suchen Sie sofort ärztliche Hilfe auf. Flüssigkeit, die aus dem Akku austritt, kann Reizungen oder

- Verbrennungen verursachen.
- Stellen Sie sicher, dass das Gerät auf einer horizontalen Fläche steht. Verwenden Sie das Gerät nicht an der gleichen Stelle, wenn das Gerät mit einer Walzenbürste ausgestattet ist und der Griff nicht vollständig aufrecht steht. Lagern Sie das Gerät nicht an einem Ort, an dem es einfrieren kann.
- Gehen Sie bei der Reinigung auf Treppen besonders vorsichtig vor.
- Verhindern Sie ein unbeabsichtigtes Starten. Vergewissern Sie sich, dass der Schalter in der AUS-Stellung ist, bevor Sie das Gerät in die Hand nehmen oder tragen. Das Tragen des Geräts mit dem Finger auf dem Schalter oder auf dem stromführenden Gerät, das den Schalter eingeschaltet hat, trägt zu Unfällen bei.
- Dieses Gerät enthält Batterien, die nur von Fachkräften ausgetauscht werden dürfen.

DIESE ANWEISUNGEN SICHERN WICHTIGE SCHUTZMASSNAHMEN

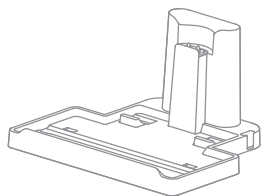
- Lassen Sie die Wartung von einer qualifizierten Reparaturkraft durchführen, die nur identische Ersatzteile verwendet. Dadurch wird sichergestellt, dass die Sicherheit des Produkts erhalten bleibt.
- Verändern Sie das Gerät nicht und versuchen Sie nicht, es zu reparieren, es sei denn, dies ist in der Gebrauchs- und Pflegeanleitung angegeben.
- Verwenden und lagern Sie das Gerät nicht in extrem heißen oder kalten Umgebungen (unter 0° C/32° F oder über 40° C/104° F). Bitte laden Sie den Akku Sauger bei Temperaturen über 0° C/32° F und unter 40° C/104° F).
- Wenn das Gerät heruntergefallen ist, beschädigt wurde, im Freien abgestellt wurde, ins Wasser gefallen ist oder nicht ordnungsgemäß funktioniert, versuchen Sie niemals, es zu bedienen. Bitte lassen Sie es von einem autorisierten Servicecenter reparieren.

Wir, Dreame Trading (Tianjin) Co., Ltd., bestätigen hiermit, dass dieses Gerät mit dengeltenden Verordnungen und europäischen Normen sowie etwaigen Ergänzungen in Einklang steht. Der vollständige Wortlaut der EU-Konformitätserklärung ist unter der folgenden Internetadresse abrufbar: www.dreame-technology.com

Ein detailliertes elektronisches Handbuch finden Sie unter

<https://www.dreame-technology.com/pages/user-manuals-and-faqs>

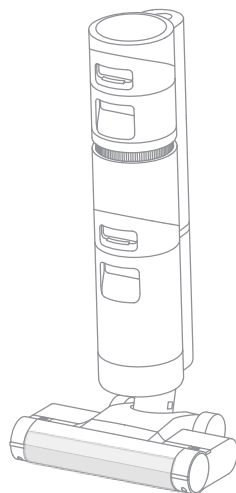
Packliste



Ladestation



Griffbaugruppe



Hauptkörper



Nachfilter



Reinigungsbürste



Netzadapter

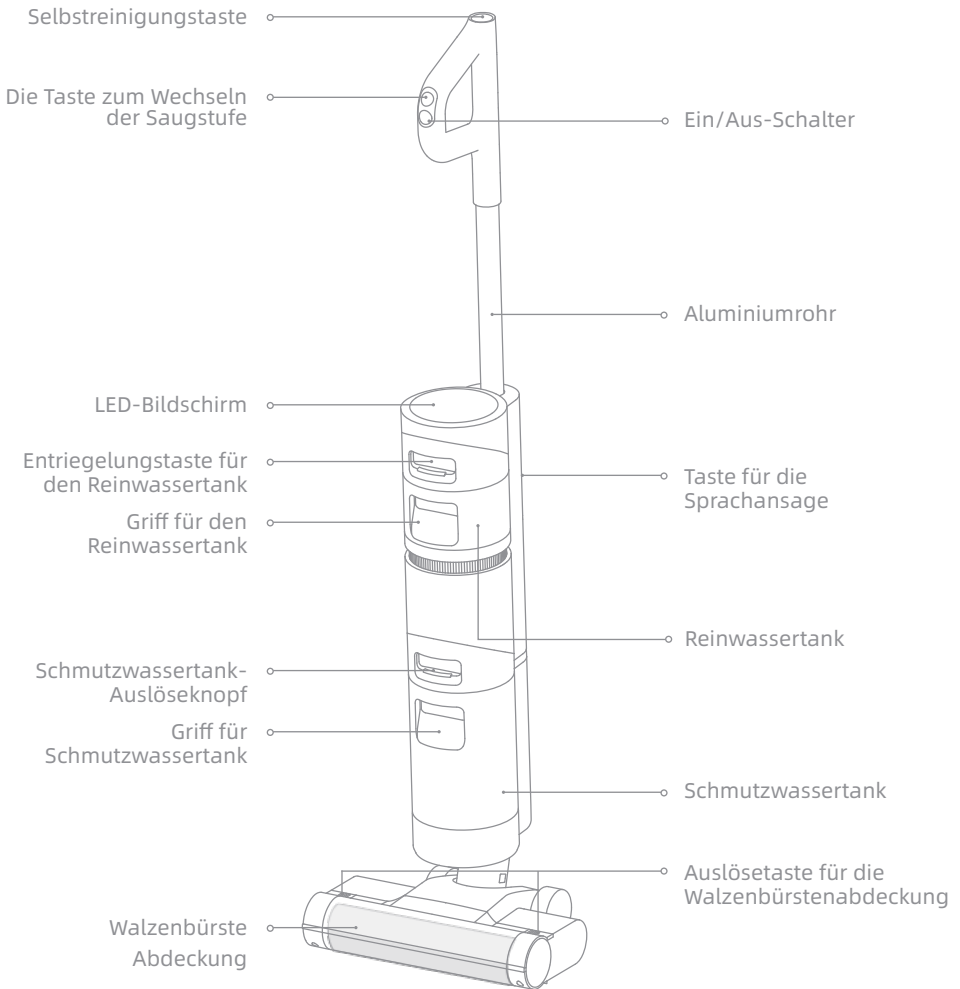


Zubehörhalter

Hinweis: Die Bilder in diesem Handbuch dienen nur zur Veranschaulichung. Das tatsächliche Produkt kann abweichen.

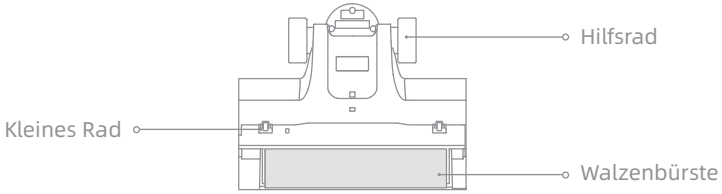
Produktübersicht

Nass- & Trockensauger

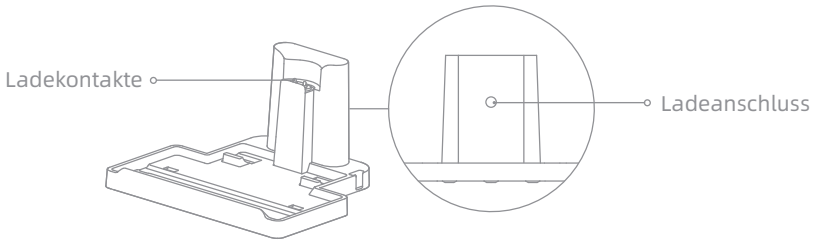


DE Produktübersicht

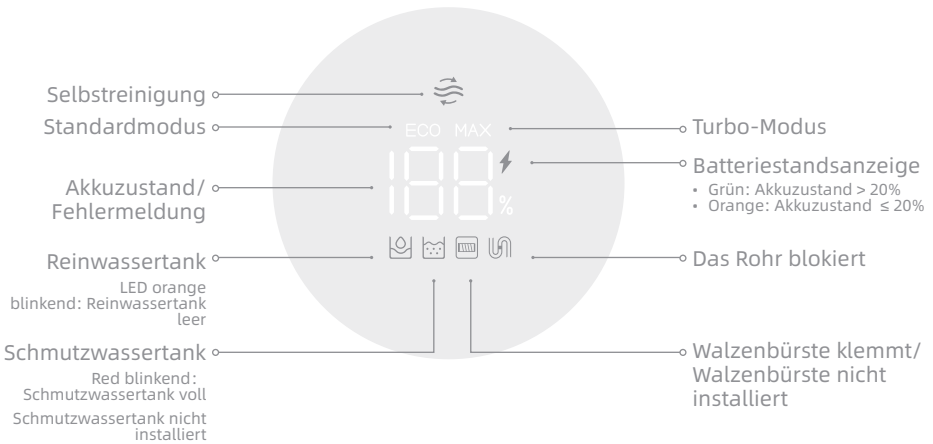
Walzenbürstenbaugruppe



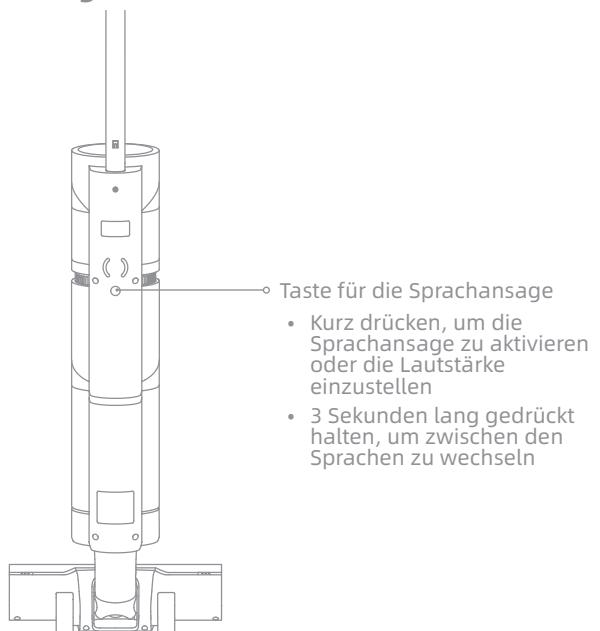
Ladestation



Bildschirm



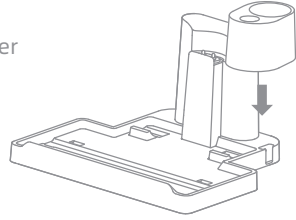
Taste für die Sprachansage



Installation

Installation der Ladestation

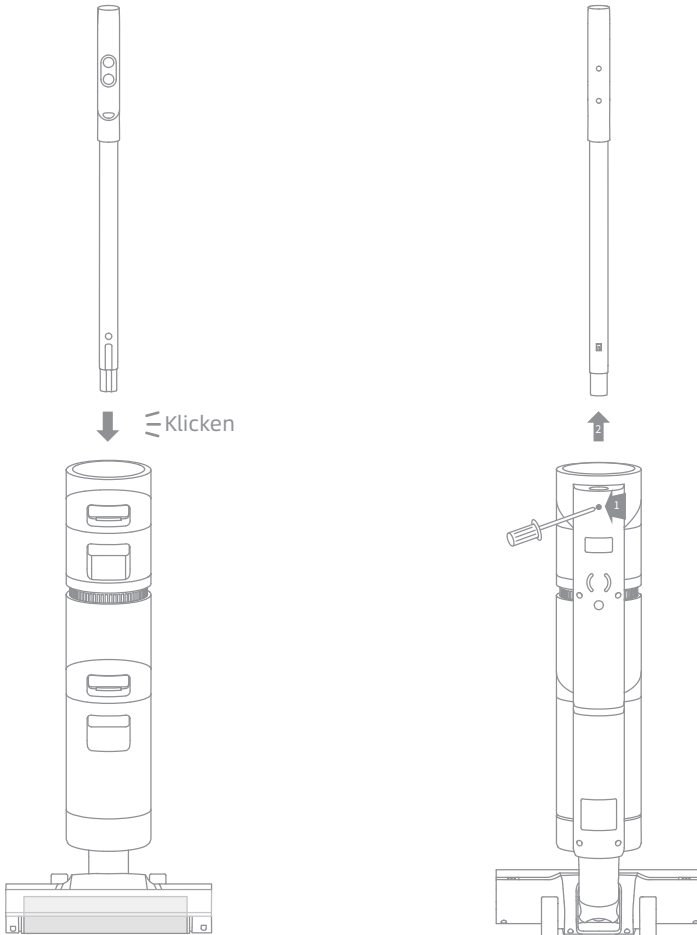
Installieren Sie den Zubehörhalter wie angegeben in der Ladestation.



Gerät-Installationsdiagramm

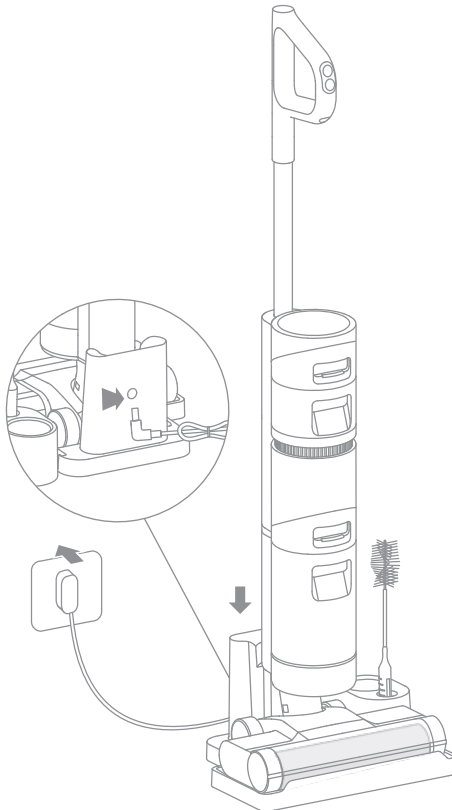
Fügen Sie das Ende der Griffbaugruppe senkrecht in die Öffnung auf der Oberseite des Geräts ein, wie angegeben, Sie werden ein Einrasten spüren.

Hinweis: Um den Griff zu demontieren, verwenden Sie bitte einen harten Gegenstand, um in das Loch auf der Rückseite des Geräts zu greifen, um den Kontakt zu drücken, und ziehen Sie gleichzeitig den Griff nach oben.



Hinweis: Laden Sie das Gerät vor dem ersten Gebrauch vollständig auf.

1. Stellen Sie die Ladestation auf dem ebenen Boden an eine Wand. Schließen Sie ein Ende des Netzadapters an die Ladestation und ein anderes Ende an eine Steckdose an.
2. Stellen Sie das Gerät auf die Ladestation, das ⚡ auf dem Bildschirm leuchtet auf, um den Ladestatus anzuzeigen. Die Zahl auf dem Bildschirm stellt den aktuellen Akkustand in Prozent während des Ladevorgangs dar. Wenn die Zahl auf 100 steht, ist der Akku vollständig geladen. Sobald das Gerät vollständig aufgeladen ist, schaltet sich die Anzeige nach 10 Sekunden aus.



Hinweis: Wenn nach dem vollständigen Aufladen 15 Minuten lang kein Betrieb erfolgt, beginnt das Gerät zu schlafen.

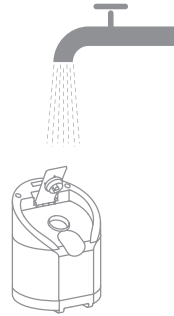
Verwendung

Füllen des Reinwassertanks

1. Drücken Sie die Auslösetaste des Reinwassertanks und ziehen Sie den Behälter nach außen, um ihn zu entfernen.



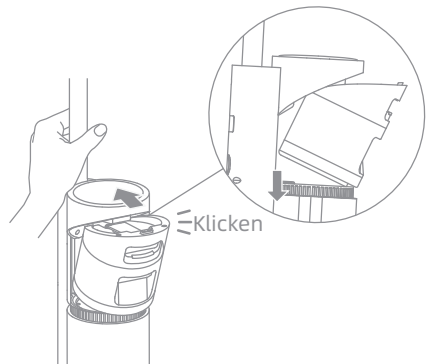
2. Öffnen Sie den Tankdeckel und füllen Sie ausreichend sauberes Wasser in den Reinwassertank.



3. Schließen Sie den Tankdeckel fest, nachdem das Wasser eingefüllt wurde.



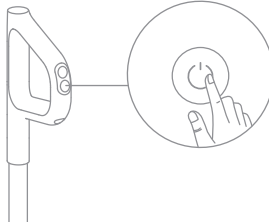
4. Installieren Sie den Reinwassertank in den Hauptteil des Gerätes, bis Sie einen Klick hören.



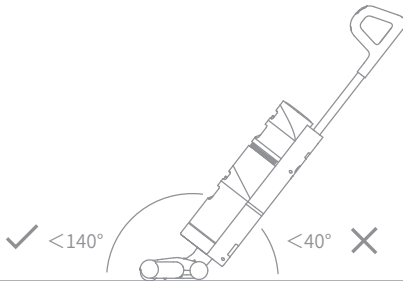
Reinigung beginnen

Das Gerät ist mit einem Aufrecht-/Kippschalter ausgestattet. Bitte verwenden Sie es nach dem Einschalten in einem Winkel.

Halten Sie die Taste  kurz gedrückt und der Staubsauger beginnt mit der Reinigung. Drücken Sie  erneut, um die Arbeit einzustellen.



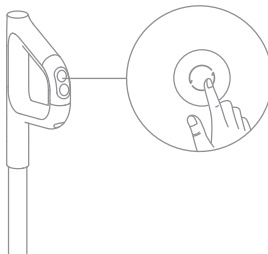
Hinweis: Enn das Gerät arbeitet, heben Sie es nicht auf und ab oder bewegen Sie es, und kippen Sie das Gerät nicht zur Seite oder legen Sie es flach hin, um zu verhindern, dass das Schmutzwasser zurück in das Gerät gelangt.



Neigen Sie das Gerät nicht mehr als 140° zum Schutz vor Wasseraustritt.

Die Saugstufe wechseln

Das Gerät wird standardmäßig im Standardmodus eingeschaltet. Sie können die Taste zum Wechseln der Saugstufe drücken, um den Turbo-Modus entsprechend den tatsächlichen Bedürfnissen einzugeben.



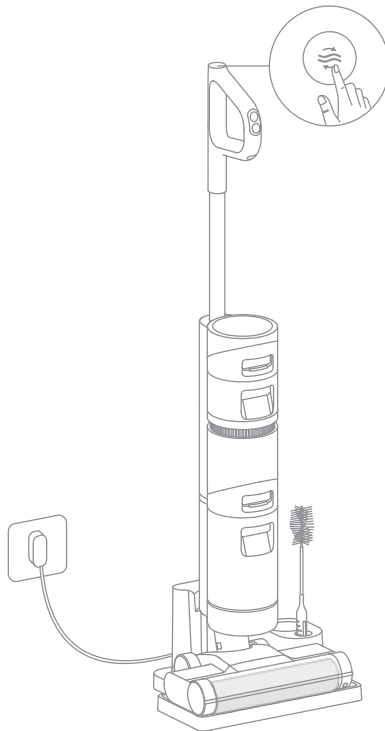
Tipps:

1. Stellen Sie sicher, dass das Gerät ausgesteckt ist und nicht arbeitet.
2. Teile müssen bei Bedarf ausgetauscht werden, bitte verwenden Sie die vom Originalwerk vorgesehenen Teile, um Schäden am Produkt aufgrund von Ungeeignetheit zu vermeiden.
3. Wenn das Gerät für einen längeren Zeitraum nicht verwendet wird, laden Sie es vollständig auf, stecken Sie das Ladegerät aus und lagern Sie es in einer kühlen, feuchtigkeitsarmen Umgebung ohne direkte Sonneneinstrahlung. Um eine Überentladung des Akkus zu vermeiden, laden Sie das Gerät mindestens einmal alle 3 Monate auf.


Ein-Klick-Selbstreinigung

* Die Selbstreinigungsfunktion kann nur aktiviert werden, wenn das Gerät geladen ist und der Akkustand mehr als 10% beträgt.

1. Stellen Sie das Gerät nach den vorgesehenen Reinigungen aufrecht auf die Ladestation und stellen Sie sicher, dass der Reinwassertank voll ist.
2. Drücken Sie die Selbstreinigungstaste auf der Oberseite des Griffs kurz, die Selbstreinigungsanzeige leuchtet auf dem Bildschirm auf und die Selbstreinigung beginnt.
3. Das Gerät lädt sich nach Beendigung der Selbstreinigung weiter auf.

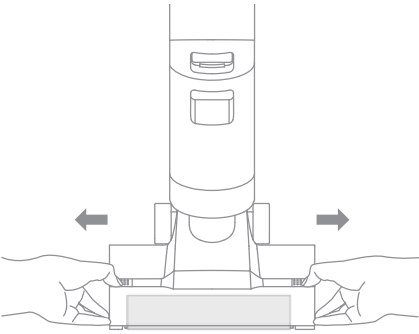


Hinweis:

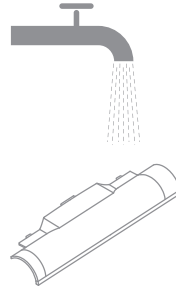
- Wenn die Tiefenselbstreinigung erforderlich ist, halten Sie die Taste  gedrückt, um die Tiefenselbstreinigung zu aktivieren. Bitte füllen Sie den Reinwassertank und leeren Sie den Schmutzwassertank vor der Aktivierung, und diese Funktion kann nur aktiviert werden, wenn das Vakuum geladen ist und der Batteriestand mehr als 30% beträgt.
- Nach Beendigung der Selbstreinigung, reinigen Sie rechtzeitig den Schmutzwassertank. Wenn sich Restflecken auf der Basis befinden, reinigen Sie bitte rechtzeitig die Basis.

Reinigen der Walzenbürstenabdeckung * Nach Bedarf reinigen.

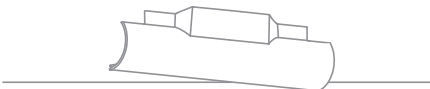
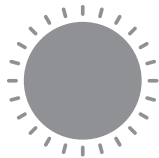
1. Wie in der Abbildung gezeigt, drücken Sie die Auslösetasten der Walzenbürste Abdeckung auf beiden Seiten nach außen, um die Walzenbürsten Abdeckung zu entfernen.



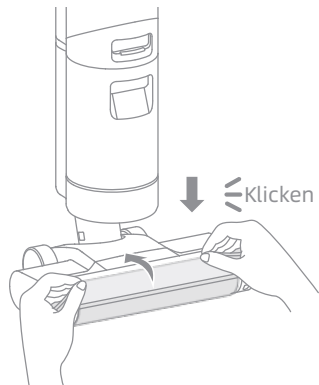
2. Spülen Sie die Walzenbürstenabdeckung mit sauberem Wasser aus, bis sie sauber ist.



3. Die Abdeckung muss gründlich vor dem Gebrauch abgetrocknet.



4. Richten Sie die Bürstenabdeckung auf den rechten Schlitz des Staubsaugers aus und drücken Sie die Abdeckung nach unten, bis Sie ein Klicken hören.

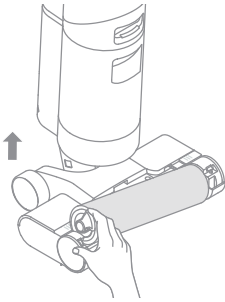


DE Pflege & Wartung

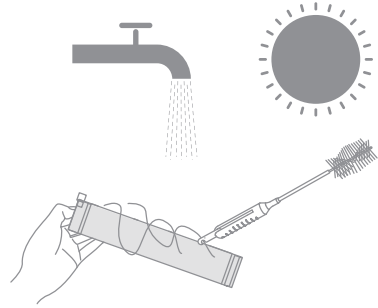
Reinigen der Walzenbürste

* Nach Bedarf reinigen, daher wird empfohlen, es alle 3 bis 6 Monate zu auszutauschen.

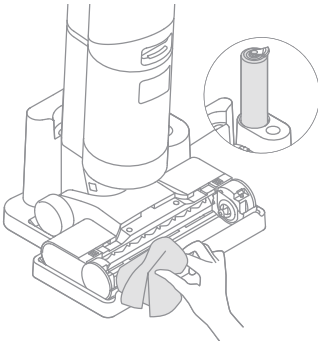
1. Ziehen Sie den linken Griff der Walzenbürste nach oben und nehmen Sie sie heraus.



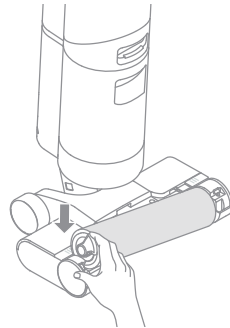
2. Verwenden Sie die enthaltene Reinigungsbürste, um die Haare und Trümmer zu entfernen, die in der Walzenbürste stecken geblieben sind. Die Walzenbürste muss gründlich vor dem Gebrauch abgetrocknet.



3. Wischen Sie den Staub mit einem trockenen Tuch oder Papiertuch vom Staubeintritt ab. Spülen Sie ihn niemals mit Wasser ab.



4. Richten Sie nach der Reinigung das rechte Ende der Walzenbürste auf den rechten Schlitz am Gerät aus und schieben Sie das linke Ende in den linken Schlitz am Gerät, bis sie einrastet.



Reinigen des Schmutzwassertanks

* Es wird empfohlen, den Schmutzwassertank nach jedem Gebrauch, sowie vor und nach Aktivierung der Selbstreinigungsfunktion zu entleeren.

1. Drücken Sie die Auslösetaste des Schmutzwassertanks und ziehen Sie ihn wie angegeben heraus.



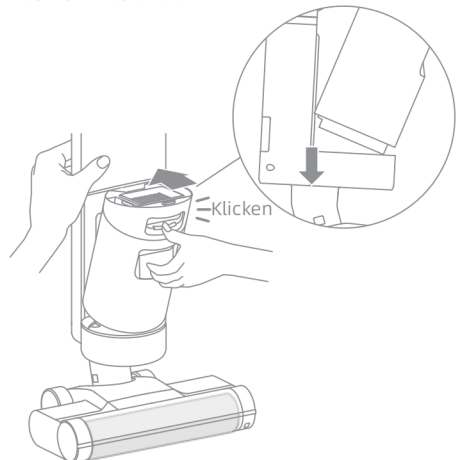
2. Halten Sie den Tank mit einer Hand und ziehen Sie die Tankabdeckung mit einer anderen Hand nach oben. Gießen Sie das Schmutzwasser aus.



3. Spülen. Sie den Tank und die Tankabdeckung mit sauberem Wasser. Die mitgelieferte Reinigungsbürste kann verwendet werden, um die Innenwand des Tanks zu reinigen.

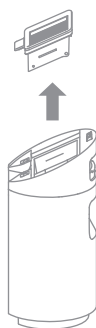


4. Setzen Sie nach der Reinigung den die Tankabdeckung wieder auf den Tank und schließen Sie die Tankabdeckung. Rasten Sie die Unterseite des Tanks in die Stützposition des Geräts ein und drücken Sie den Tank dann vorsichtig, bis Sie ein Klicken hören, das anzeigt, dass er an seinem Platz ist.

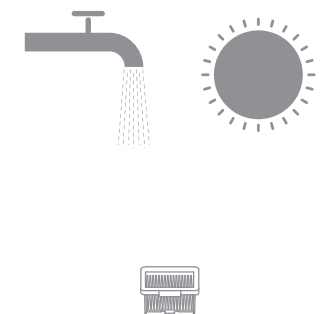


Den Filter reinigen * Es wird empfohlen, es alle 3 bis 6 Monate zu auszutauschen.

1. Entfernen Sie den Filter von der Oberseite des Schmutzwassertanks.

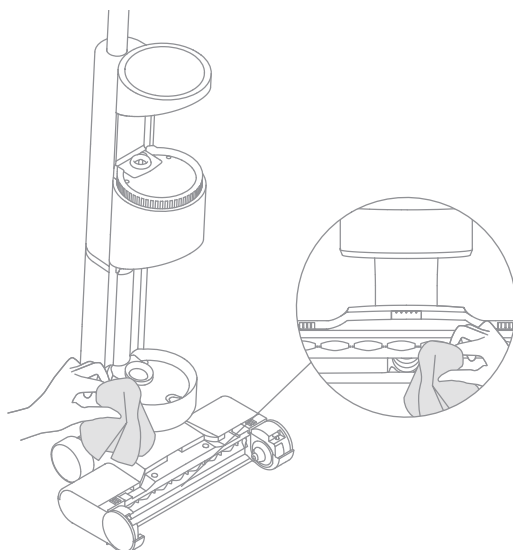


2. Spülen Sie den Filter mit sauberem Wasser. Trocknen Sie ihn gründlich ab, bevor Sie ihn erneut installieren.



Das Rohr reinigen

Entfernen Sie den Schmutzwassertank, wischen Sie ihn mit einem feuchten Tuch ab, um den Schmutz im Rohr vor dem Gebrauch zu beseitigen.



Häufig gestellte Fragen


Fehler	Mögliche Ursache	Lösung
Das Gerät arbeitet nicht.	Die Griffbaugruppe wurde nicht installiert.	Installieren Sie die Griffbaugruppe neu.
	Der Akku des Gerätes ist leer oder der Batteriestand ist niedrig.	Laden Sie das Gerät vollständig auf und verwenden Sie es dann weiter.
	Das Gerät steht aufrecht.	Lehnen Sie das Gerät zurück.
	Die Walzenbürste ist nicht an ihrem Platz installiert oder die Walzenbürste ist verklemmt.	Installieren oder reinigen Sie die Walzenbürste erneut.
	Der Schmutzwassertank ist nicht an seinem Platz installiert.	Bauen Sie den Schmutzwassertank wieder ein.
	Das Schmutzwasser ist voll.	Entleeren Sie den Schmutzwassertank.
Schwache Saugkraft.	Der Filter ist verstopft.	Den Filter reinigen.
	Walzenbürste Abdeckung, Filter und Reinwassertank sind nicht an ihrem Platz installiert.	Stellen Sie sicher, dass die Teile vor der Verwendung an ihrem Platz installiert wurden.
	Die Walzenbürste ist mit Haaren verheddert.	Lesen Sie den Abschnitt [Reinigen der Walzenbürste] im Wartungshandbuch.
	Einige Fremdkörper befinden sich im Rohr oder das Rohr ist blockiert.	Das Rohr reinigen.
Der Motor macht ein seltsames Geräusch.	Zu viel Schmutzwasser im Schmutzwassertank.	Entleeren Sie den Schmutzwassertank.
	Die Hauptsaugöffnung ist blockiert.	Beseitigen Sie eventuelle Verstopfungen in der Hauptsaugöffnung.
Die Akkustatusanzeige leuchtet während des Ladevorgangs nicht.	Der Adapter ist nicht in die Steckdose eingesteckt.	Stellen Sie sicher, dass der Netzadapter richtig eingesteckt ist.
	Der Netzadapter ist nicht richtig an die Ladestation angeschlossen.	Stellen Sie sicher, dass sie richtig angeschlossen sind.

DE Häufig gestellte Fragen

Fehler	Mögliche Ursache	Lösung
Die Akkustatusanzeige leuchtet während des Ladevorgangs nicht.	Die Ladestation ist nicht mit dem Gerät verbunden.	Stellen Sie sicher, dass das Gerät an der richtigen Stelle ist.
Es kommt kein Wasserfluss aus dem Gerät.	Der Reinwassertank ist nicht an seinem Platz installiert oder der Reinwassertank ist leer.	Bauen Sie den Reinwassertank wieder ein oder füllen Sie ihn.
Wasseraustritt an der Oberseite des Schmutzwassertanks.	Eine Kollision oder starkes Ziehen führt dazu, dass Wasser in den Motor gelangt.	Bewegen Sie das Gerät vorsichtig hin und her, wenn es eingeschaltet ist.
	Der Filter ist nach der Reinigung nicht vollständig trocken.	Den Filter vor Gebrauch gründlich abtrocknen.
Selbstreinigung ist fehlgeschlagen.	Die Walzenbürste kann durch große Partikel verstopft werden.	Öffnen Sie die Bürstenabdeckung, um die Walzenbürste zu prüfen und zu reinigen.
	Das Gerät lädt nicht.	Stellen Sie sicher, dass das Gerät geladen ist, bevor Sie die Selbstreinigungsfunktion aktivieren.
	Die Selbstreinigung kann nicht gestartet werden, wenn der Batteriestand weniger als 10% beträgt.	Die Selbstreinigungsfunktion kann nur aktiviert werden, wenn das Gerät geladen ist und der Akkustand mehr als 10% beträgt.
	Der Schmutzwassertank wird nicht installiert oder der Schmutzwassertank ist voll.	Installieren oder leeren Sie den Schmutzwassertank.
	Der Reinwassertank ist nicht an seinem Platz installiert oder der Reinwassertank ist leer.	Bauen Sie den Reinwassertank wieder ein oder füllen Sie ihn.

Fehleralarm

Wenn irgendein Fehler bei der Verwendung des Produkts auftritt, wird der Bildschirm eine Fehlermeldung ausgeben. Sie sollten den Anweisungen auf dem Bildschirm folgen, um die normale Leistung sicherzustellen.

Fehler-Symbol	Mögliche Ursache	Lösungen
	Reinwassertank leer	Füllen Sie den Reinwassertank.
	Schmutzwassertank nicht installiert	Installieren Sie den Schmutzwassertank.
	Schmutzwassertank voll	Entleeren Sie den Schmutzwassertank.
	Walzenbürste klemmt	Reinigen Sie die Walzenbürste mit der mitgelieferten Reinigungsbürste.
	Walzenbürste nicht installiert	Walzenbürste installieren.
	Das Rohr blockiert	Bitte überprüfen Sie, ob der Filter verstopft ist.
		Lesen Sie dazu das Wartungshandbuch [Rohr reinigen] Abschnitt.

Fehlercode	Mögliche Ursache	Lösungen
E1/EE/EF	Motorfehler	Bitte kontaktieren Sie den Kundenservice.
E2/E3/E7/ E8/E9	Batteriesusfall	Bitte kontaktieren Sie den Kundenservice.
E4/E5	Netzadapter inkompatibel	Bitte verwenden Sie den Original-Netzadapter, oder wenden Sie sich an den Kundendienst.
E6	Überhitzung von Batterie	Warten Sie, bis die Temperatur der Batterie wieder normal ist, und setzen Sie dann das Gerät weiter in Einsatz.

DE Specifications

Nass- & Trockensauger			
Modell	VWV7	Ladezeit	Ca. 3 Stunden
Nennspannung	21,6 V ---	Ladespannung	26 V ---
Nennleistung	170 W	Nennleistung	2300 mAh
Nominale Kapazität	2500 mAh	Schmutzwasser-Kapazität	500 mL
Reinwasser-Kapazität	900 mL		
Netzadapter			
Modell	YLS0251B-E260090 (EU) / YLS0251A-A260090 (AU)	Durchschnittliche Aktive Effizienz	87,28%
Eingabe	100-240 V ~ 50/60 Hz 0,8 A Max	Effizienz bei Geringer Belastung (10%)	79,74%
Ausgabe	26 V --- 0,9 A	Lastloser Stromverbrauch	0,08 W

- Dieses Produkt enthält Akkus, die nur von qualifizierten Technikern oder dem Kundendienst ausgewechselt werden können.
- Dieses Produkt enthält Akkus, die nicht ausgewechselt werden können.
- Dieses Gerät enthält einen wiederaufladbaren Lithium-Ionen-Akku, der bei der Entsorgung umweltschädlich ist. Bitte nehmen Sie daher den Akku gemäß den folgenden Anweisungen aus dem Gerät und entsorgen Sie ihn ordnungsgemäß, bevor Sie das Gerät entsorgen:
 - Vor dem Entfernen der Batterie müssen Sie das Gerät vom Stromnetz trennen und so weit wie möglich entladen, dann entfernen Sie das untere Gehäuse des Geräts, nachdem Sie die Befestigungsschrauben des unteren Gehäuses gelöst haben.
 - Entfernen Sie die Batterie, nachdem Sie die Batterieanschlussklemmen abgeklemmt haben, und achten Sie dabei darauf, das Batteriegehäuse nicht zu beschädigen, um Gefahren zu vermeiden.
 - Bitte führen Sie die entnommene Batterie einer fachgerechten Recyclinganlage zur Entsorgung zu.

WEEE-Informationen



Alle mit diesem Symbol gekennzeichneten Produkte sind Elektroschrott und Elektrogeräte (WEEE entsprechend EU-Richtlinie 2012/19/EU) und dürfen nicht mit unsortiertem Haushaltsmüll vermischt werden. Schützen Sie stattdessen Ihre Mitmenschen und die Umwelt, indem Sie Ihre zu entsorgenden Geräte an eine dafür vorgesehene, von der Regierung oder einer lokalen Behörde eingerichtete Sammelstelle zum Recycling von Elektroschrott und Elektrogeräten bringen. Eine ordnungsgemäße Entsorgung und Recycling helfen, negative Auswirkungen auf die Gesundheit von Umwelt und Menschen zu vermeiden. Wenden Sie sich bitte an den Installateur oder lokale Behörden, um Informationen zum Standort und den allgemeinen Geschäftsbedingungen solcher Sammelstellen zu erhalten.

Consignes de sécurité importantes Pour usage domestique seulement

- Lors de l'utilisation d'un appareil électrique, des précautions de base doivent toujours être prises, notamment les suivantes :
- LIRE TOUTES LES INSTRUCTIONS AVANT D'UTILISER (CET APPAREIL). Le non-respect des avertissements et des instructions peut entraîner un choc électrique, un incendie et/ou des blessures graves.

AVERTISSEMENT- Pour réduire les risques d'incendie, de choc électrique ou de blessure :

- N'utilisez que ce qui est décrit dans ce guide de l'utilisateur. N'utilisez que les accessoires recommandés par le fabricant.
- N'utilisez l'appareil qu'à l'intérieur, sur des surfaces de sol non recouvertes de tapis, comme le vinyle, le carrelage, le bois scellé, etc. Veillez à ne pas rouler sur des objets non fixés ou sur les bords d'un tapis. Le fait de faire caler la brosse peut entraîner une défaillance prématurée de la courroie.
- Ne laissez pas l'appareil être utilisé comme un jouet. Une attention particulière est nécessaire lorsqu'elle est utilisée par ou près d'enfants, d'animaux domestiques ou de plantes.
- Ne pas utiliser un liquide inflammable ou combustible pour nettoyer un sol./Ne pas utiliser pour ramasser des liquides inflammables ou combustibles, tels que l'essence, ou utiliser dans des zones où ils peuvent être présents.
- Pour recharger la batterie, utilisez uniquement le bloc d'alimentation amovible fourni avec cet appareil. Utilisez uniquement le bloc d'alimentation YLS0251B-E260090 (EU) / YLS0251A-A260090 (AU).
- Rechargez l'aspirateur uniquement avec le chargeur spécifié par le fabricant. Un chargeur qui convient à un type de batterie peut créer un risque d'incendie lorsqu'il est utilisé avec un autre type de batterie.
- Ne plongez pas l'aspirateur dans un liquide. Utilisez-le uniquement sur un sol humidifié par le processus de nettoyage.
- Cet appareil peut être utilisé par des enfants à partir de 8 ans et des personnes ayant des capacités physiques, sensorielles ou mentales réduites ou un manque d'expérience et de connaissances s'ils ont reçu une supervision ou des instructions concernant l'utilisation de l'appareil en toute sécurité et s'ils comprennent les risques encourus. Les enfants ne doivent pas jouer avec l'appareil. Le nettoyage et l'entretien par l'utilisateur ne doivent pas être effectués par des enfants sans surveillance.
- Le film plastique peut être dangereux. Pour éviter tout risque de suffocation, tenez-le à l'écart des enfants.
- Tenez les cheveux, les vêtements amples, les doigts et toutes les parties du corps éloignés des ouvertures et des parties mobiles de l'appareil et de ses accessoires.
- N'utilisez que le type et la quantité de liquides spécifiés dans la section "Opérations" de ce guide. Le liquide ne doit pas être dirigé vers des équipements contenant des

Information sur la sécurité

composants électriques.

- Ne mettez aucun objet dans les ouvertures. N'utilisez pas l'aspirateur lorsqu'une ouverture est obstruée; veillez à ce qu'elle soit exempte de poussière, de peluches, de cheveux et de tout ce qui pourrait réduire le débit d'air.
- Ne l'utilisez pas si les filtres ne sont pas en place.
- N'utilisez pas l'aspirateur si le cordon ou la fiche sont endommagés. Si le cordon ou la fiche est endommagé, il doit être remplacé par le fabricant, son agent de service ou des personnes qualifiées similaires afin d'éviter tout danger.
- N'utilisez pas l'aspirateur pour ramasser des liquides inflammables ou combustibles, tels que le pétrole, ou utilisez l'aspirateur dans des zones où ils peuvent être présents.
- Ne ramassez pas de produits toxiques (eau de javel, ammoniac, nettoyant pour canalisations, etc.) Ne pas ramasser d'objets durs ou pointus tels que du verre, des clous, des vis, des pièces de monnaie, etc.
- N'utilisez pas l'appareil dans un espace clos rempli de vapeurs de peinture à l'huile, de diluant pour peinture, de certaines substances antimites, de poussières inflammables ou d'autres vapeurs explosives ou toxiques. Ne ramassez rien qui brûle ou qui fume, comme des cigarettes, des allumettes ou des cendres chaudes.
- Ne chargez pas l'appareil à l'extérieur. Ne pas recharger, démonter, chauffer à plus de 60° C ou incinérer.
- Les bornes de sortie de la base du chargeur ne doivent pas être court-circuitées. Ne l'utilisez pas avec un câble ou un chargeur endommagé. Si l'appareil est tombé, a été endommagé, a été laissé à l'extérieur, est tombé dans l'eau, ou ne fonctionne pas comme il le devrait, retournez-le à un centre de service.
- Gardez le câble du chargeur à l'écart des surfaces chauffées. Ne manipulez pas la fiche du chargeur ou l'appareil avec des mains mouillées. Pour débrancher l'appareil, saisissez la fiche du chargeur plutôt que le câble.
- Ne tirez pas ou ne transportez pas le chargeur par le câble, n'utilisez pas le câble comme une poignée, ne fermez pas la porte sur le câble et ne tirez pas le câble autour de bords ou de coins aigus.
- Éteignez l'appareil lorsqu'il n'est pas utilisé, avant de le nettoyer, de l'entretenir ou de le réparer, et avant de brancher ou de débrancher l'outil avec une brosse mobile.
- L'appareil doit être débranché de l'alimentation électrique lors du retrait de la batterie. Gardez les piles hors de portée des enfants. Ne mettez jamais les piles dans la bouche. En cas d'ingestion, contactez votre médecin ou le centre antipoison local.
- N'utilisez pas d'appareil endommagé ou modifié. Les piles endommagées ou modifiées peuvent avoir un comportement imprévisible et provoquer un incendie, une explosion ou un risque de blessure.
- N'exposez pas l'appareil au feu ou à une température excessive. L'exposition au feu ou à une température supérieure à 130° C peut provoquer une explosion.
- Suivez toutes les instructions de charge et ne chargez pas l'appareil en dehors de la plage de température spécifiée dans la batterie et augmentez le risque d'incendie.
- N'incinerez pas l'appareil, même s'il est gravement endommagé. La batterie doit être mise au rebut en toute sécurité, et elle doit être retirée de l'appareil avant d'être mise au rebut pour éviter une explosion dans le feu.
- Dans des conditions abusives, ne jamais entrer en contact avec la batterie d'où le

Information sur la sécurité

liquide peut être éjecté. En cas de contact accidentel, rincez à l'eau. Si le liquide entre en contact avec les yeux, consultez immédiatement un médecin. Le liquide éjecté de la batterie peut provoquer des irritations ou des brûlures.

- Assurez-vous que l'appareil est placé sur une surface horizontale. N'utilisez pas l'appareil dans la même position si l'appareil est équipé d'une brosse à rouleau et que la poignée n'est pas complètement verticale. Ne stockez pas l'appareil dans un endroit où il pourrait geler.
- Faites très attention lorsque vous nettoyez les escaliers.
- Empêchez tout démarrage involontaire. Assurez-vous que l'interrupteur est en position OFF avant de prendre ou de transporter l'appareil. Porter l'appareil avec votre doigt sur l'interrupteur ou sur un appareil sous tension dont l'interrupteur est allumé peut provoquer des accidents.
- Cet appareil contient des piles qui ne peuvent être remplacées que par des personnes qualifiées.

CONSERVEZ CES INSTRUCTIONS GARANTIES IMPORTANTES

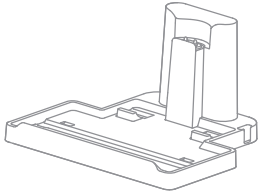
- Faites effectuer l'entretien par un réparateur qualifié utilisant uniquement des pièces de rechange identiques. Cela garantira que la sécurité du produit est maintenue.
- Ne modifiez pas ou n'essayez pas de réparer l'appareil sauf comme indiqué dans les instructions d'utilisation et d'entretien.
- Ne pas utiliser et stocker dans des environnements extrêmement chauds ou froids (en dessous de 0 °C / 32 °F ou au-dessus de 40 °C / 104 °F). Veuillez charger l'aspirateur sans fil à une température supérieure à 0 °C / 32 °F et inférieure à 40 °C / 104 °F).
- Si l'appareil est tombé, est endommagé, laissé à l'extérieur, est tombé dans l'eau ou ne fonctionne pas comme il se doit, n'essayez jamais de le faire fonctionner. Veuillez le faire réparer dans un centre de service autorisé.

Par la présente, Dreame Trading (Tianjin) Co., Ltd., déclare que cet équipement est conforme aux directives et normes européennes applicables, ainsi qu'à leurs amendements. L'intégralité de la déclaration de conformité pour l'UE est disponible à l'adresse suivante: www.dreame-technology.com

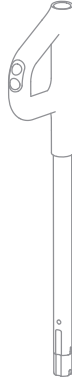
Pour obtenir un manuel électronique détaillé, rendez-vous sur le site <https://www.dreame-technology.com/pages/user-manuals-and-faqs>

Présentation du Produit

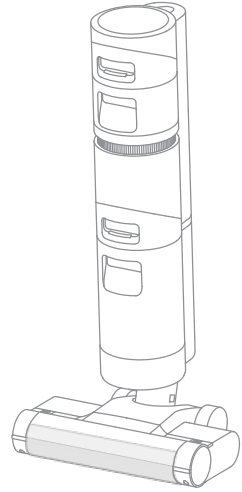
Liste d'emballage



Station de
chargement



Assemblage de
la Poignée



Corps
Principal



Filtre de secours



Brosse de
nettoyage



Adaptateur
électrique

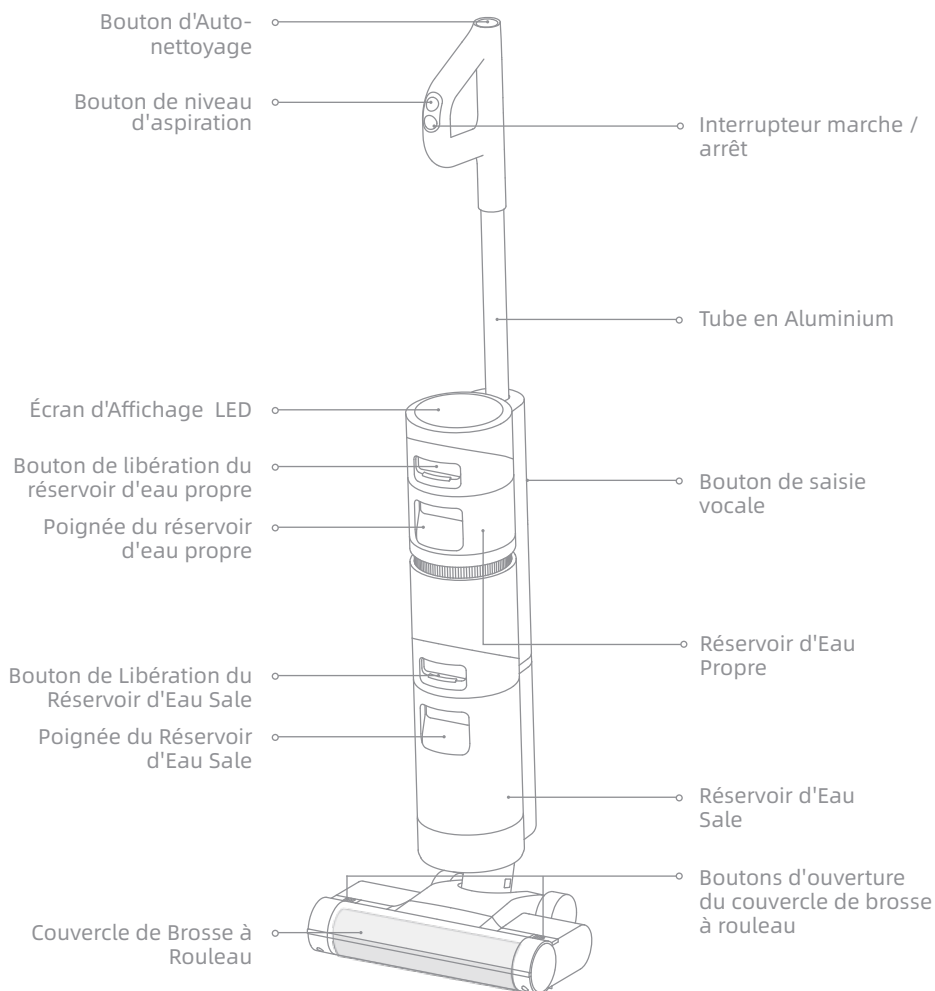


Porte-accessoires

Remarque : Les images de ce manuel sont fournies à titre indicatif uniquement. Le produit réel peut être différent.

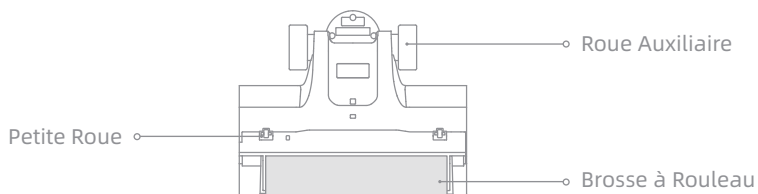
Présentation du Produit

Aspirateur

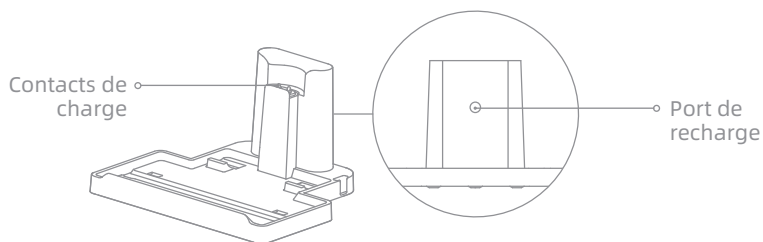


Présentation du Produit

Ensemble de Brosse à Rouleau

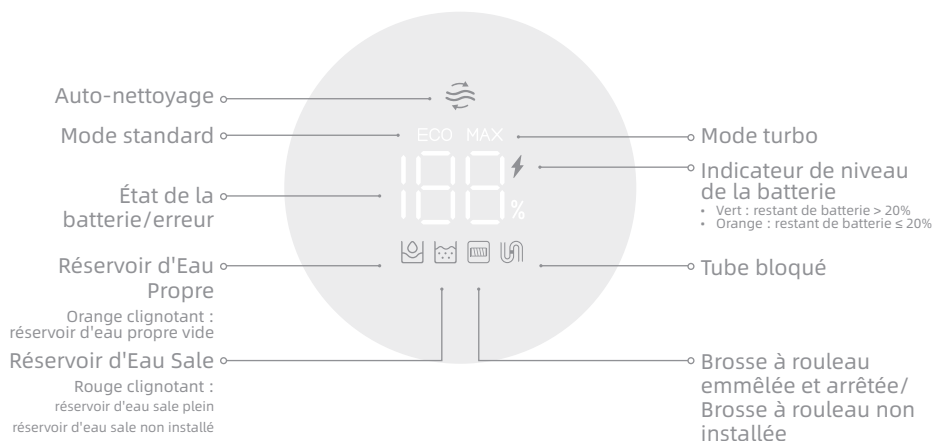


Station de chargement

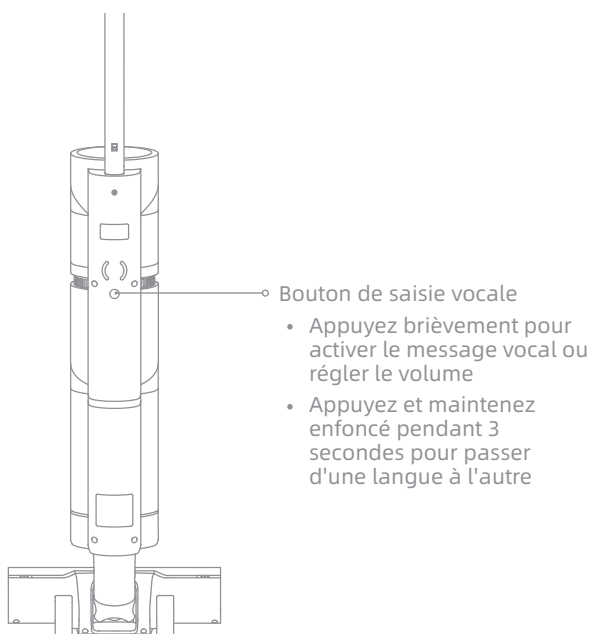


Présentation du Produit

Écran d'Affichage



Bouton de saisie vocale



Installation

Installation de la station de chargement

Installez le porte-accessoires dans la station de chargement comme indiqué.

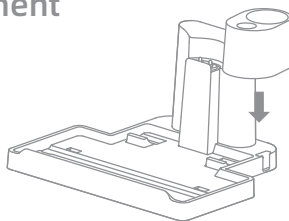
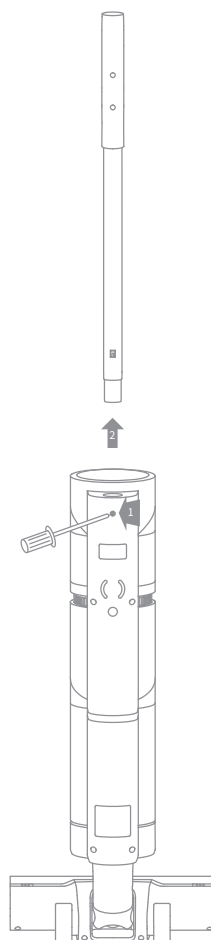
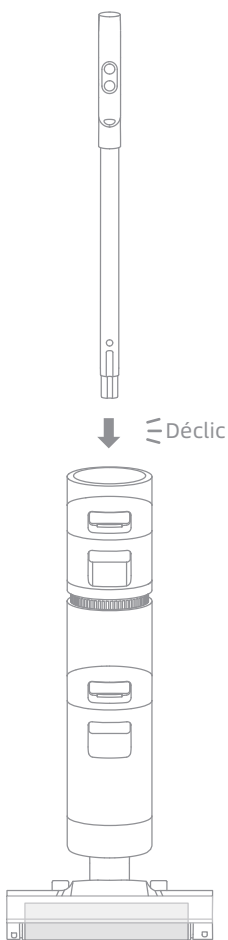


Schéma d'Installation de l'Aspirateur


Insérez l'extrémité de la poignée verticalement dans le port sur le dessus de l'aspirateur comme indiqué, vous le sentirez cliquer en place.

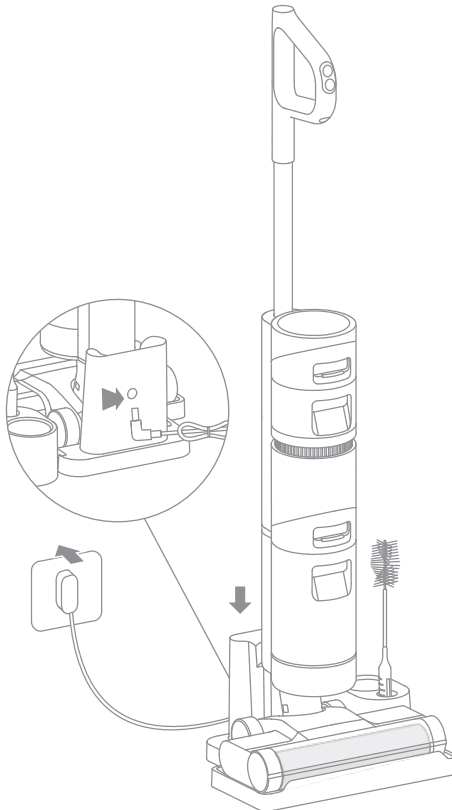
Remarque : Pour démonter la poignée, veuillez utiliser un objet dur pour atteindre le trou à l'arrière de l'aspirateur afin d'appuyer sur le contact, et en même temps tirer la poignée vers le haut.



Mise en charge

Remarque : Chargez complètement l'aspirateur avant de l'utiliser pour la première fois.

1. Placez la station de chargement sur un sol plat, contre un mur. Connectez une extrémité de l'adaptateur électrique à la station de chargement et l'autre extrémité à une prise de courant domestique.
2. Placez l'aspirateur sur le station de chargement, le  sur l'écran s'allume pour indiquer l'état de charge. Le chiffre sur l'écran d'affichage représente le niveau actuel de la batterie en pourcentage pendant la charge. Quand il sera à 100, la batterie est complètement chargée. Une fois que l'aspirateur est complètement chargé, l'indicateur s'éteint dans 10 secondes.



Remarque : Après une charge complète, si l'aspirateur n'effectue aucune tâche durant 15 mins à la suite, il passera en mode veille.

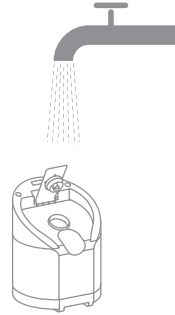
Comment utiliser

Remplissez le réservoir d'eau propre

1. Appuyez sur le bouton de libération du réservoir d'eau propre et tirez le réservoir vers l'extérieur pour le retirer.



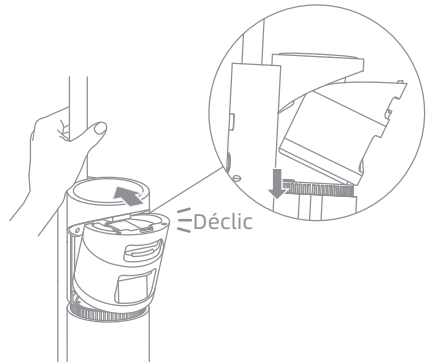
2. Ouvrez le couvercle du réservoir et remplissez le réservoir avec de l'eau propre.



3. Fermez fermement le couvercle du réservoir une fois l'eau ajoutée.



4. Installez le réservoir d'eau propre dans le corps principal jusqu'à ce que vous entendiez un clic.

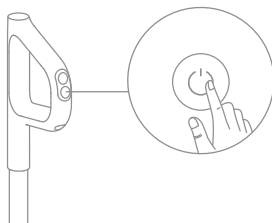


Comment utiliser

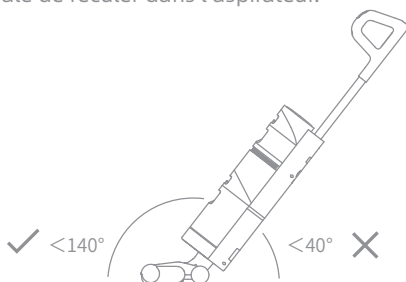
Commencer à nettoyer

L'aspirateur est équipé d'un interrupteur vertical / inclinable. Veuillez l'utiliser sous un angle après l'avoir allumé.

Appuyez brièvement sur la touche  pour mettre l'appareil en marche et l'aspirateur commence à nettoyer. Appuyez à nouveau sur la touche  pour arrêter le fonctionnement.



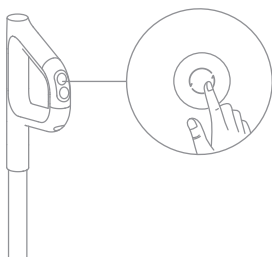
Remarque : Lorsque l'aspirateur fonctionne, ne le soulevez pas de haut en bas ni le déplacez pas, et n'inclinez pas l'aspirateur d'un côté ni le posez pas à plat afin d'empêcher l'eau sale de reculer dans l'aspirateur.



N'inclinez pas l'aspirateur à plus de 140 ° pour éviter les fuites d'eau.

Changer le niveau d'aspiration

L'aspirateur est en mode standard par défaut. Appuyez sur le bouton de niveau d'aspiration pour passer en mode Turbo en fonction de vos besoins réels.



Entretien et maintenance

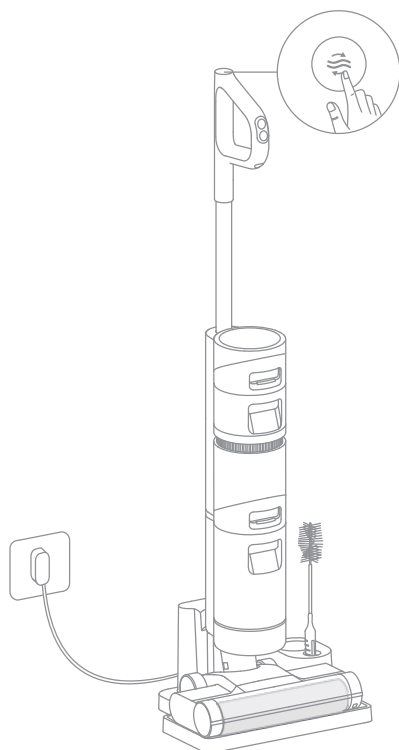
Conseils :

1. Assurez-vous que l'aspirateur est débranché et ne fonctionne pas.
2. Les pièces doivent être remplacées si nécessaire, veuillez utiliser les pièces désignées par l'usine d'origine afin de ne pas endommager le produit en raison d'une inadéquation.
3. Si l'aspirateur n'est pas utilisé pendant une longue période, chargez-le complètement, débranchez son chargeur et stockez-le dans un environnement frais et à faible humidité à l'abri de la lumière directe du soleil. Pour éviter une décharge excessive de la batterie, rechargez l'aspirateur au moins une fois tous les 3 mois.


Auto-Nettoyage en Un Clic

* La fonction d'auto-nettoyage ne peut être activée que lorsque l'aspirateur est chargé et que le restant de la batterie est supérieur à 10%.

1. Placez l'aspirateur à la verticale sur le station de chargement après les nettoyages programmés et assurez-vous que le réservoir d'eau propre est plein.
2. Appuyez sur le bouton d'autonettoyage sur le dessus de la poignée pour allumer l'indicateur à l'écran puis le robot commence l'autonettoyage.
3. L'aspirateur continuera à se recharger une fois l'autonettoyage terminé.

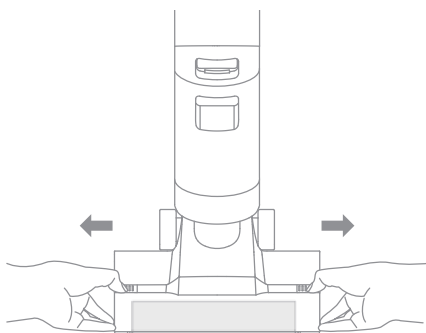


Remarque :

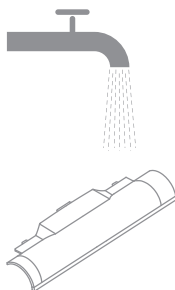
- Si l'autonettoyage en profondeur est nécessaire, appuyez sur le bouton  et maintenez-le enfoncé pour activer la fonction d'autonettoyage en profondeur. Veuillez remplir le réservoir d'eau propre et vider le réservoir d'eau sale avant l'activation, et cette fonction ne peut être activée que lorsque l'aspirateur est chargé et que le niveau de la batterie est supérieur à 30%.
- Une fois l'autonettoyage terminé, nettoyez le réservoir d'eau sale à temps. S'il y a des taches résiduelles sur le station, veuillez le nettoyer à temps.

Nettoyez le couvercle de la brosse à rouleau * Nettoyez si nécessaire.

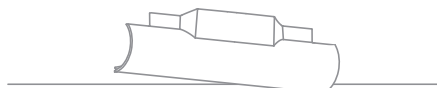
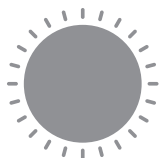
1. Comme indiqué sur la figure, appuyez sur les boutons de libération du couvercle de brosse à rouleau des deux côtés vers l'extérieur pour retirer le couvercle.



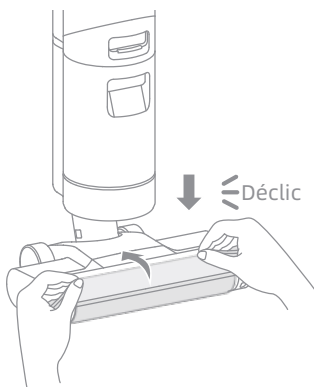
2. Rincez le couvercle de brosse à rouleau à l'eau claire jusqu'à ce qu'elle soit propre.



3. Le couvercle doit être soigneusement séché avant d'être utilisé.



4. Alignez le couvercle de la brosse avec la fente droite de l'aspirateur et appuyez sur le couvercle jusqu'à ce que vous entendiez un clic.

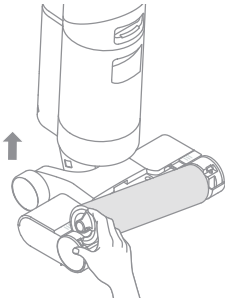


Entretien et maintenance

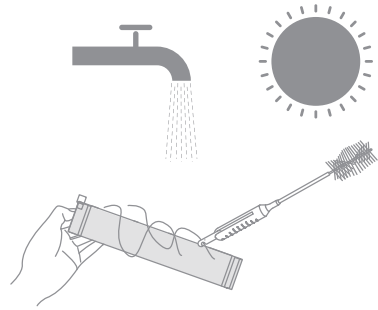
Nettoyez la brosse à rouleau

* Nettoyez si nécessaire, il est recommandé de le remplacer tous les 3 à 6 mois.

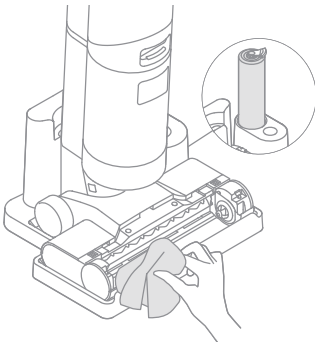
1. Soulevez la poignée gauche de la brosse à rouleau et retirez-la.



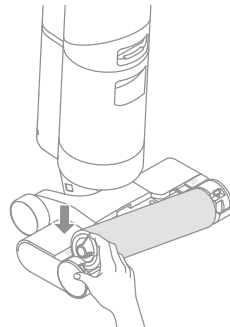
2. Utilisez la brosse de nettoyage fournie pour retirer les poils et les débris qui se sont coincés dans la brosse à rouleau et rincez-la à l'eau claire. La brosse à rouleau doit être soigneusement séchée avant d'être utilisée.



3. Essuyez la poussière de l'entrée de poussière avec un chiffon sec ou une serviette en papier. Ne le rincez jamais à l'eau.



4. Une fois le nettoyage terminé, alignez l'extrémité droite de la brosse à rouleau avec la fente droite de l'aspirateur et poussez l'extrémité gauche dans la fente gauche de l'aspirateur jusqu'à ce qu'elle s'enclenche.



Nettoyez le réservoir d'eau sale

* Il est recommandé de vider le réservoir d'eau sale après chaque utilisation, et avant et après l'activation de la fonction d'auto-nettoyage.

1. Appuyez sur le bouton de déverrouillage du réservoir d'eau sale et tirez-le comme indiqué.



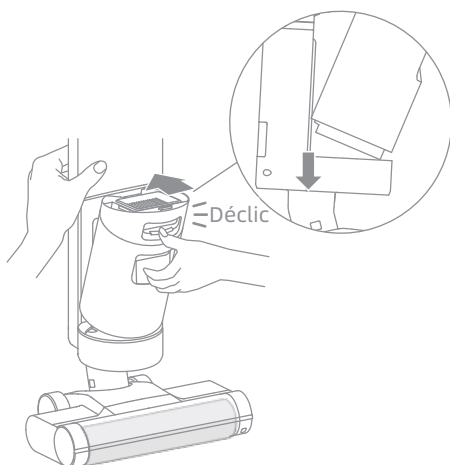
2. Tenez le réservoir d'une main et soulevez le couvercle du réservoir d'une autre main. Videz l'eau sale.



3. Rincez le réservoir d'eau sale et le couvercle du réservoir à l'eau claire. La brosse de nettoyage fournie sert à nettoyer la paroi intérieure du réservoir.



4. Une fois le nettoyage terminé, fermez le couvercle du réservoir, enclenchez le bas du réservoir dans la position de support de l'aspirateur, puis poussez doucement le réservoir jusqu'à ce que vous entendiez un clic, ce qui indique qu'il est en place.

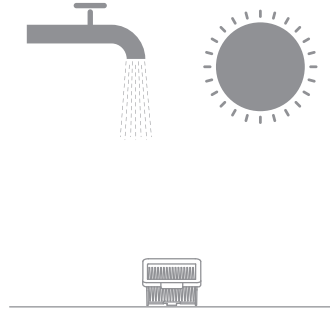
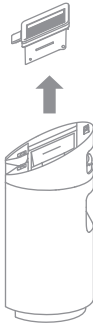


Entretien et maintenance

Nettoyez le filtre * Il est recommandé de le nettoyer après chaque utilisation et de le remplacer tous les 3 à 6 mois.

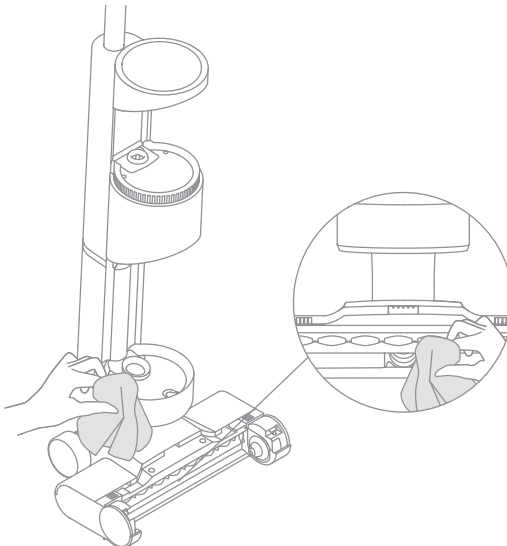
1. Retirez le filtre du haut du réservoir d'eau sale.

2. Rincez le filtre avec de l'eau propre. Séchez-le soigneusement avant de le réinstaller.



Nettoyer le tube

Retirez le réservoir d'eau sale, essuyez-le avec un chiffon humide pour nettoyer la saleté dans le tube avant de l'utiliser.







Erreur	Cause Possible	Solution
L'aspirateur ne fonctionne pas.	L'assemblage de la poignée n'a pas été installé en place.	Veillez réinstaller l'assemblage de la poignée.
	L'aspirateur n'a plus de batterie ou en faible batterie.	Chargez complètement l'aspirateur avant de l'utiliser.
	Le corps est à la verticale.	Inclinez l'aspirateur.
	La brosse à rouleau n'a pas été installée en place ou elle a été emmêlée par des poils et arrêtée.	Réinstallez ou nettoyez la brosse à rouleau.
	Le réservoir d'eau propre n'a pas été installé en place.	Réinstallez le réservoir d'eau sale.
	Le réservoir d'eau sale est plein.	Videz le réservoir d'eau sale.
Faible force d'aspiration.	Le filtre est bouché.	Nettoyez le filtre.
	Le couvercle de brosse à rouleau, le filtre, le réservoir d'eau sale et le réservoir d'eau propre n'ont pas été installés en place.	Assurez-vous que les pièces ont été installées en place avant utilisation.
	La brosse à rouleau est emmêlée par des poils.	Informez-vous sur la section [Nettoyez de la brosse à rouleau] du manuel de maintenance.
	Il y a des articles étrangers dans le tube ou le tube est bloqué.	Nettoyez le tube.
Le moteur émet un bruit étrange.	Trop d'eau sale dans le réservoir d'eau sale.	Videz le réservoir d'eau sale.
	L'ouverture d'aspiration principale est bloquée.	Éliminez tout blocage dans l'ouverture d'aspiration principale.
L'indicateur d'état de la batterie ne s'allume pas pendant la charge.	L'adaptateur n'est pas branché sur la prise électrique.	Assurez-vous que l'adaptateur électrique est correctement branché.

Erreur	Cause Possible	Solution
L'indicateur d'état de la batterie ne s'allume pas pendant la charge.	L'adaptateur électrique n'est pas correctement connecté à la station de chargement.	Assurez-vous qu'ils sont correctement connectés.
	Le station de chargement n'est pas connecté à l'aspirateur.	Assurez-vous que l'aspirateur est en place.
Aucun débit d'eau ne sort de l'aspirateur.	Le réservoir d'eau propre n'a pas été installé en place ou le réservoir d'eau propre est vide.	Réinstallez ou remplissez le réservoir d'eau propre.
Fuite d'eau par le haut du réservoir d'eau sale.	Un choc ou une traction brutale provoque l'entrée d'eau dans le moteur.	Déplacez doucement l'aspirateur d'avant en arrière lorsque vous le mettez en marche.
	Le filtre n'est pas complètement sec après avoir été nettoyé.	Séchez complètement le filtre avant de l'utiliser.
L'autonettoyage a échoué.	La brosse à rouleau peut être bloquée par de grosses particules.	Ouvrez le couvercle de la brosse à rouleau pour la vérifier et nettoyer.
	L'aspirateur n'est pas chargé.	Assurez-vous que l'aspirateur est chargé avant d'activer la fonction d'autonettoyage.
	L'autonettoyage ne peut pas être activé si le restant de la batterie est inférieur à 10%.	La fonction d'autonettoyage ne peut être activée que lorsque l'aspirateur est chargé et que le restant de la batterie est supérieur à 10%.
	Le réservoir d'eau sale n'a pas été installé en place, ou le réservoir d'eau sale est plein.	Réinstallez ou videz le réservoir d'eau sale.
	Le réservoir d'eau propre n'a pas été installé en place ou le réservoir d'eau propre est vide.	Réinstallez ou remplissez le réservoir d'eau propre.

Indication pour la panne

Si vous devez prêter attention à une anomalie quelconque pendant l'utilisation du produit, l'écran affichera un message d'avertissement. Vous devez suivre les instructions à l'écran pour que les performances restent normales.

Icône d'erreur	Cause Possible	Solutions
	Le réservoir d'eau propre est vide	Remplissez le réservoir d'eau propre.
	Le réservoir d'eau sale n'est pas installé	Installez le réservoir d'eau sale.
	Réservoir d'eau sale plein	Videz le réservoir d'eau sale.
	Brosse à rouleau emmêlée et arrêtée	Nettoyez la brosse à rouleau avec la brosse de nettoyage fournie.
	Brosse à rouleau non installée	Installez la brosse à rouleau.
	Tube bloqué	Veillez vérifier si le filtre est bouché.
		Reportez-vous à la section [Nettoyage du tube] du manuel d'entretien.

Code de panne	Cause Possible	Solutions
E1/EE/EF	Erreur de moteur	Veillez contacter le service clientèle.
E2/E3/E7/E8/E9	Défaillance de la batterie	Veillez contacter le service clientèle.
E4/E5	Adaptateur électrique incompatible	Veillez utiliser l'adaptateur électrique original ou contacter le service clientèle.
E6	Surchauffe de la batterie	Attendez que la température de la batterie redevienne normale, puis continuez à utiliser l'aspirateur.

FR Caractéristiques

Aspirateur			
Modèle	VWV7	Temps de charge	Environ. 3 heures
Tension nominale	21,6 V ---	Tension de charge	26 V ---
Puissance nominale	170 W	Capacité nominale	2300 mAh
Capacité nominale	2500 mAh	Capacité réservoir d'eau sale	500 mL
Capacité serbatoio dell'acqua pulita	900 mL		
Adaptateur électrique			
Modèle	YLS0251B-E260090 (EU) / YLS0251A-A260090 (AU)	Efficacité moyenne active	87,28%
Entrée	100-240 V ~ 50/60 Hz 0,8 A Max	Efficacité à faible charge (10%)	79,74%
Sortie	26 V --- 0,9 A	Consommation à faible puissance	0,08 W

- Ce produit contient des batteries uniquement remplaçables par des techniciens qualifiés ou le service après-vente.
- Ce produit contient des batteries non remplaçables.
- Cet appareil est équipé d'une batterie rechargeable au lithium-ion, dont la mise au rebut sans discernement est dangereuse pour l'environnement. Veuillez retirer la batterie de l'appareil et la mettre au rebut de manière appropriée avant de vous débarrasser de l'appareil conformément aux instructions suivantes :
 - Avant de retirer la batterie, débranchez l'alimentation et videz l'alimentation autant que possible, puis retirez le boîtier inférieur de l'appareil après avoir dévissé les vis de fixation du boîtier inférieur.
 - Débranchez les bornes de la batterie et retirez la batterie, en prenant soin de ne pas endommager le boîtier de la batterie pour éviter tout danger.
 - Veuillez apporter la batterie à un organisme de recyclage professionnel pour son élimination.

Informations DEEE



Tous les produits portant ce symbole deviennent des déchets d'équipements électriques et électroniques (DEEE dans la Directive européenne 2012/19/UE) qui ne doivent pas être mélangés aux déchets ménagers non triés. Vous devez contribuer à la protection de

l'environnement et de la santé humaine en apportant l'équipement usagé à un point de collecte dédié au recyclage des équipements

électriques et électroniques, agréé par le gouvernement ou les autorités locales. Le recyclage et la destruction appropriés permettront d'éviter tout impact potentiellement négatif sur l'environnement et la santé

humaine. Contactez l'installateur ou les autorités locales pour obtenir plus d'informations concernant l'emplacement ainsi que les conditions d'utilisation de ce type de point de collecte.

Istruzioni Importanti per la Sicurezza Solo Per Uso Domestico

- Quando si utilizza un apparecchio elettrico, è necessario seguire sempre le precauzioni di base, comprese le seguenti:
- LEGGERE TUTTE LE ISTRUZIONI PRIMA DI UTILIZZO (QUESTO APPARECCHIO). La mancata osservanza delle avvertenze e delle istruzioni può provocare scosse elettriche, incendi e/o lesioni gravi.

AVVERTENZA - Per ridurre il rischio di incendi, scosse elettriche o lesioni:

- Utilizzare solo come descritto in questa guida per l'utente. Utilizzare solo gli accessori consigliati dal produttore.
- Utilizzare solo in interni, su superfici non rivestite di tappeto come vinile, piastrelle, legno sigillato, ecc. Fare attenzione a non calpestare oggetti sciolti o bordi di tappeti. Lo stallo della spazzola può provocare un guasto prematuro della cinghia.
- Non permettere che venga usato come un giocattolo. È necessaria la massima attenzione quando viene utilizzato da o vicino a bambini, animali domestici o piante.
- Non utilizzare liquidi infiammabili o combustibili per pulire un pavimento. / Non utilizzare per aspirare liquidi infiammabili o combustibili, come la benzina, o utilizzare in aree in cui potrebbero essere presenti i liquidi.
- Al fine della ricarica della batteria, utilizzare solo l'unità di alimentazione staccabile fornita con questo apparecchio. Utilizzare solo con unità di alimentazione YLS0251B-E260090 (EU) / YLS0251A-A260090 (AU).
- Ricaricare l'aspirapolvere solo con il caricatore specificato dal produttore. Un caricabatterie adatto a un tipo di batteria può creare un rischio di incendio se utilizzato con un altro pacco batteria.
- Non immergere l'aspirapolvere in liquidi. Utilizzare solo su pavimenti inumiditi durante il processo di pulizia.
- Questo apparecchio può essere utilizzato da bambini di età pari o superiore a 8 anni e da persone con ridotte capacità fisiche, sensoriali o mentali o con mancanza di esperienza e conoscenza se sono stati supervisionati o istruiti sull'uso dell'apparecchio in modo sicuro e capiscono i pericoli coinvolti. I bambini non devono giocare con l'apparecchio. La pulizia e la manutenzione dell'utente non devono essere eseguite da bambini senza supervisione.
- La pellicola di plastica può essere pericolosa. Per evitare il pericolo di soffocamento, tenerlo lontano dalla portata dei bambini.
- Tenere i capelli, i vestiti larghi, le dita e tutte le parti del corpo lontani dalle aperture e dalle parti in movimento dell'apparecchio e dei suoi accessori.
- Utilizzare solo il tipo e la quantità di liquidi specificati nella sezione operativa di questa guida. Il liquido non deve essere diretto verso apparecchiature contenenti componenti elettrici.
- Non posizionare oggetti nell'apertura. Non utilizzare quando un'apertura è ostruita; evitare polvere, lanugine, capelli e tutto ciò che può ridurre la circolazione dell'aria.

Informazioni sulla Sicurezza

- Non utilizzarlo senza filtri in posizione.
- Non utilizzare l'aspirapolvere con cavo o spina danneggiati. Se il cavo o la spina sono danneggiati, devono essere sostituiti dal produttore, dal suo agente di servizio o da persone qualificate simili per evitare rischi.
- Non utilizzare l'aspirapolvere per aspirare liquidi infiammabili o combustibili, come il petrolio, né utilizzare l'aspirapolvere in aree in cui potrebbero essere presenti questi liquidi.
- Non raccogliere materiale tossico (candeggina a base di cloro, ammoniaca, detergente per scarichi, ecc.). Non raccogliere oggetti duri o appuntiti come vetro, chiodi, viti, monete, ecc
- Non utilizzare l'apparecchio in uno spazio chiuso pieno di vapori emessi da vernici a base di olio, diluenti per vernici, alcune sostanze antitartra, polvere infiammabile o altri vapori esplosivi o tossici. Non raccogliere nulla che stia bruciando o fumando, come sigarette, fiammiferi o cenere calda.
- Non caricare l'apparecchio all'aperto. Non ricaricare, smontare, riscaldare oltre i 60° C o bruciare l'apparecchio.
- I terminali di uscita della base di ricarica non devono essere cortocircuitati. Non utilizzarlo con cavo o caricatore danneggiato. Se l'apparecchio è caduto, danneggiato, lasciato all'aperto, caduto in acqua o non funziona come dovrebbe, restituirlo a un centro di assistenza.
- Tenere il cavo del caricatore lontano da superfici riscaldate. Non maneggiare la spina del caricabatterie o l'apparecchio con le mani bagnate. Per scollegare, afferrare la spina del caricabatterie anziché il cavo.
- Non tirare o trasportare il caricabatterie tramite il cavo, non utilizzare il cavo come maniglia, chiudere lo sportello del cavo o tirare il cavo attorno a spigoli vivi o angoli.
- Spegnerlo quando non in uso, prima di pulire, sottoporre a manutenzione o riparare l'apparecchio e prima di collegare o scollegare l'utensile con una spazzola mobile.
- L'apparecchio deve essere scollegato dall'alimentazione quando si rimuove la batteria. Tenere le batterie fuori dalla portata dei bambini. Non mettere mai le batterie in bocca. In caso di ingestione, contattare il proprio medico o il centro antiveleni locale.
- Non utilizzare un apparecchio danneggiato o modificato. Le batterie danneggiate o modificate possono presentare un comportamento imprevedibile con conseguenti incendi, esplosioni o rischio di lesioni.
- Non esporre l'apparecchio a fiamme o temperature eccessive. L'esposizione al fuoco o a temperature superiori a 130° C può provocare un'esplosione.
- Seguire tutte le istruzioni di ricarica e non caricare l'apparecchio al di fuori dell'intervallo di temperatura specificato nella batteria, altrimenti può aumentare il rischio di incendio.
- Non bruciare l'apparecchio anche se gravemente danneggiato. La batteria deve essere smaltita in modo sicuro e deve essere rimossa dall'apparecchio prima di essere rottamata per evitare un'esplosione nel fuoco.
- In condizioni abusive, non contattare mai la batteria dalla quale potrebbe fuoriuscire il liquido. In caso di contatto accidentale, sciacquare con acqua. Se il liquido entra in contatto con gli occhi, consultare immediatamente un medico. Il liquido espulso dalla

Informazioni sulla Sicurezza

batteria può causare irritazioni o ustioni.

- Assicurarsi che l'apparecchio sia posizionato su una superficie orizzontale. Non utilizzare l'apparecchio nella stessa posizione se è dotato di spazzola rotante e il manico non è completamente in posizione verticale. Non riporre l'elettrodomestico in un luogo in cui potrebbe gelare.
- Prestare particolare attenzione durante la pulizia delle scale.
- Impedire l'avviamento accidentale. Assicurarsi che l'interruttore sia in posizione OFF prima di sollevare o trasportare l'apparecchio. Trasportare l'apparecchio con il dito sull'interruttore o mettere sotto tensione l'apparecchio con l'interruttore acceso può provocare incidenti.
- Questo apparecchio contiene batterie che possono essere sostituite solo da persone qualificate.

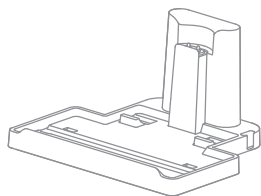
SALVARE QUESTE ISTRUZIONI PRECAUZIONI IMPORTANTI

- Far eseguire la manutenzione da un tecnico qualificato utilizzando solo parti di ricambio identiche. Ciò garantirà il mantenimento della sicurezza del prodotto.
- Non modificare o tentare di riparare l'apparecchio salvo quanto indicato nelle istruzioni per l'uso e la cura.
- Non utilizzare e conservare in ambienti estremamente caldi o freddi (inferiore a 0°C / 32° F o superiore a 40° C / 104° F). Si prega di caricare l'aspirapolvere senza filo a temperature superiori a 0°C / 32° F e inferiori a 40°C / 104° F).
- Se l'apparecchio è caduto, danneggiato, lasciato all'aperto, caduto in acqua o non funziona come dovrebbe, non tentare mai di metterlo in funzione. Si prega di farlo riparare presso un centro di assistenza autorizzato.

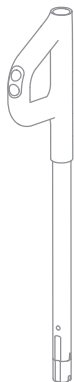
Con la presente, Dreame Trading (Tianjin) Co., Ltd., dichiara che questo apparecchio è conforme alle direttive applicabili e alle norme europee, nonché ai relativi emendamenti. Il testo completo della dichiarazione di conformità UE è disponibile al seguente indirizzo Internet: www.dreame-technology.com
Il manuale elettronico dettagliato è disponibile all'indirizzo <https://www.dreame-technology.com/pages/user-manuals-and-faqs>

Introduzione del Prodotto

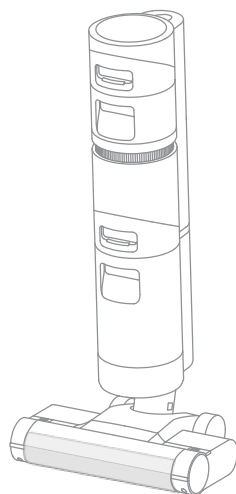
Lista Imballaggio



Base di
Ricarica



Maniglia di
Montaggio



Dispositivo
Principale



Filtro di Riserva



Spazzola per
la Pulizia



Adattatore di
Alimentazione

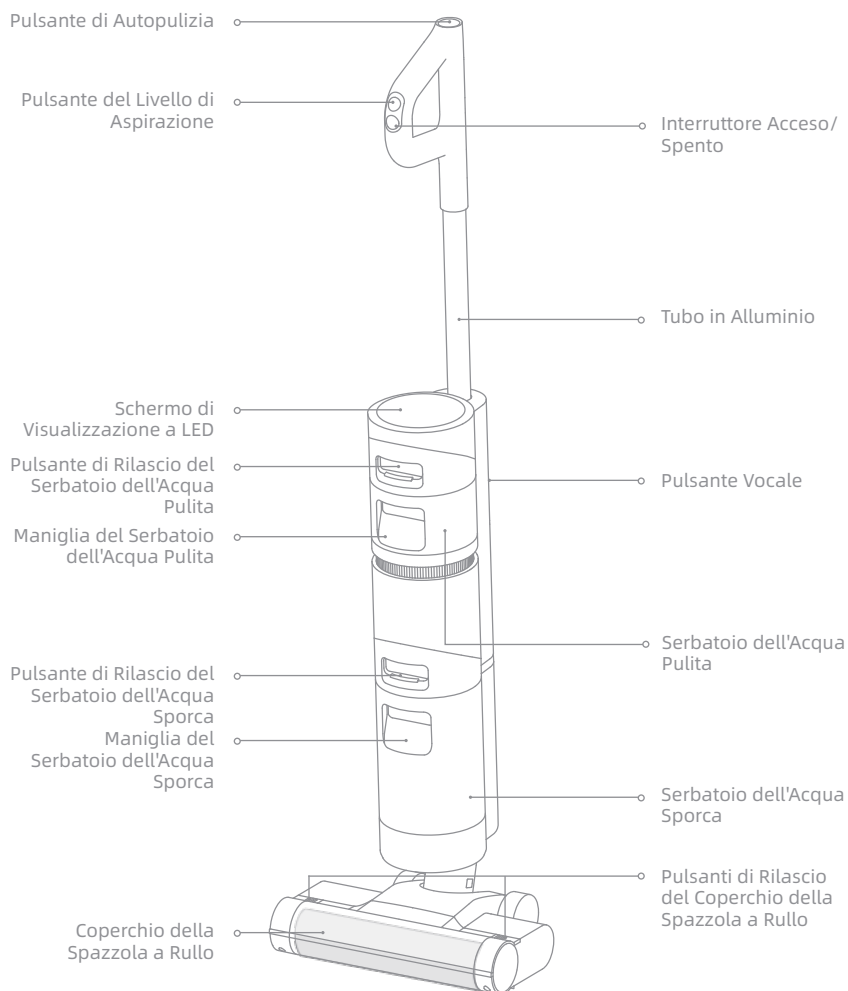


Supporto di
Accessori

Nota: Le immagini in questo manuale sono solo a scopo illustrativo. Il prodotto reale potrebbe differire.

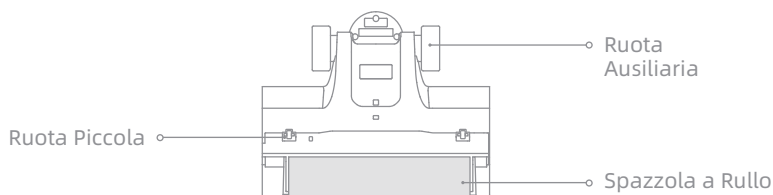
Introduzione del Prodotto

Aspirapolvere

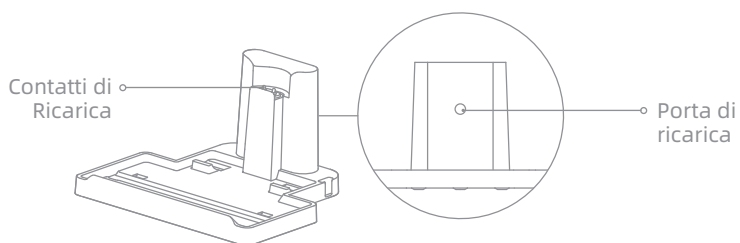


Introduzione del Prodotto

Accessori della Spazzola a Rullo

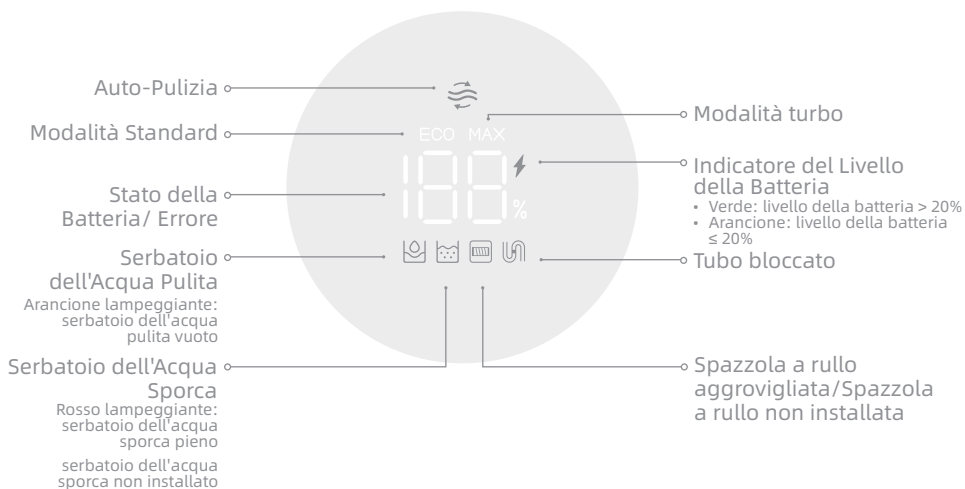


Base di Ricarica

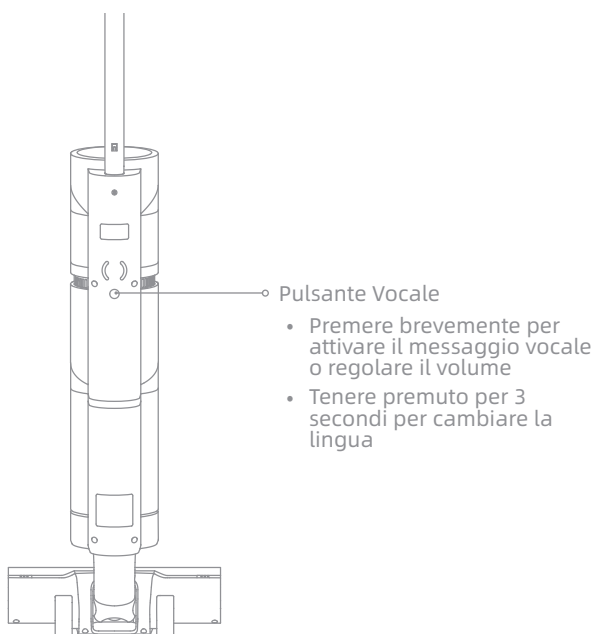


Introduzione del Prodotto

Schermo di Visualizzazione

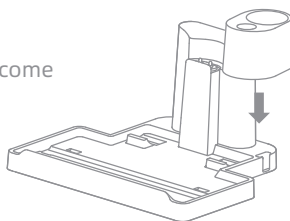


Pulsante Vocale



Installazione della Base di Ricarica

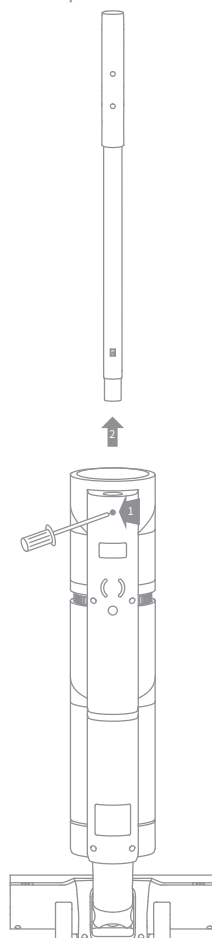
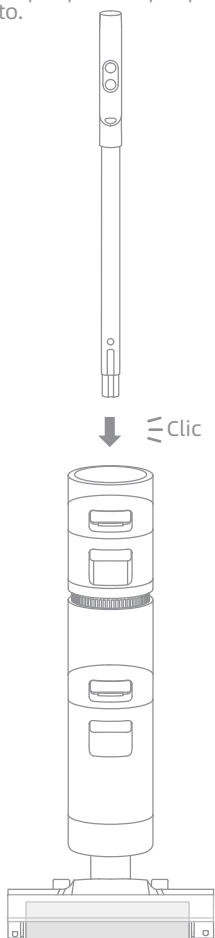
Installare il supporto di accessori nella base di ricarica come indicato.



Schema di Installazione dell'Aspirapolvere

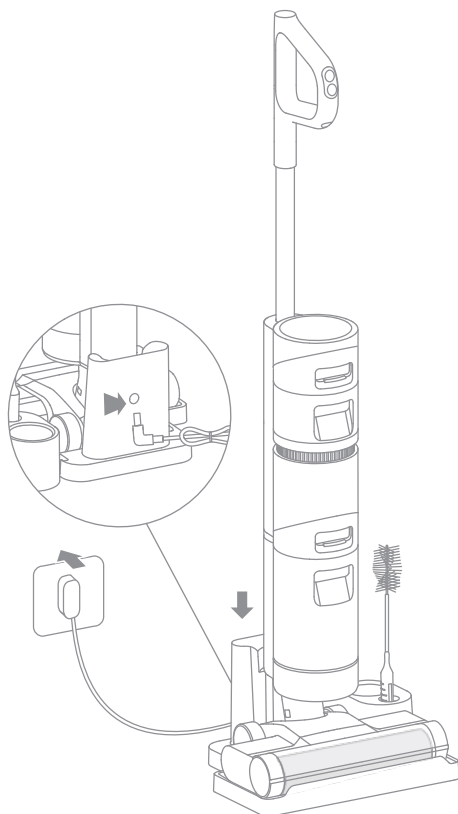
Inserire il fondo della maniglia verticalmente nella porta sulla parte superiore dell'aspirapolvere secondo la direzione mostrata nella figura e l'installazione è riuscita quando si sente un clic.

Nota: Per smontare la maniglia, utilizzare un oggetto duro per raggiungere il foro sul retro dell'aspirapolvere per premere il contatto e allo stesso tempo estrarre la maniglia verso l'alto.



Nota: Caricare completamente l'aspirapolvere prima di utilizzarlo per la prima volta.

1. Posizionare la base di ricarica su una superficie piana contro muro. Collegare un'estremità dell'adattatore di alimentazione alla base di ricarica e l'altra estremità a una presa domestica.
2. Posizionare l'aspirapolvere sulla base di ricarica, ⚡ sullo schermo si accende per indicare lo stato di carica. Il numero sullo schermo rappresenta il livello attuale della batteria in percentuale durante la carica. Quando il numero è 100, la batteria è completamente carica. Una volta che l'aspirapolvere è completamente carico, l'indicatore si spegnerà dopo 10 secondi.



Nota: Dopo 15 minuti di inattività con una carica completa, l'aspirapolvere entra in modalità sospensione.

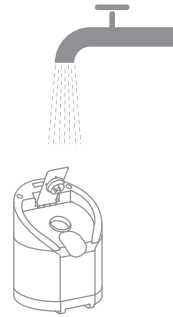
Istruzioni per l'Uso

Riempire il Serbatoio dell'Acqua Pulita

1. Premi il pulsante di rilascio del serbatoio dell'acqua pulita e tira il serbatoio verso l'esterno per rimuoverlo.



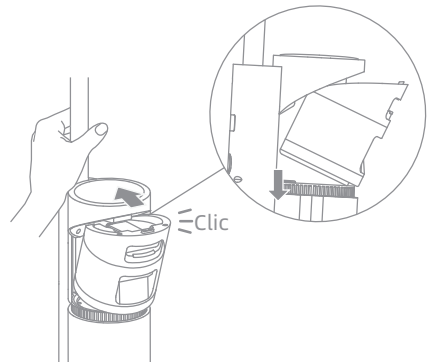
2. Apri il coperchio del serbatoio e aggiungi l'acqua sufficiente al serbatoio dell'acqua pulita.



3. Chiudere bene il coperchio del serbatoio dopo aver aggiunto l'acqua.



4. Installare il serbatoio dell'acqua pulita nel dispositivo principale finché non si sente un clic.

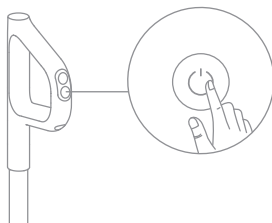


Istruzioni per l'Uso

Iniziare la Pulizia

L'aspirapolvere è dotato di un interruttore verticale/inclinazione. Si prega di inclinarlo dopo l'accensione.

Premere brevemente  per accendere e l'aspirapolvere inizia la pulizia. Premere nuovamente  per interrompere il funzionamento.



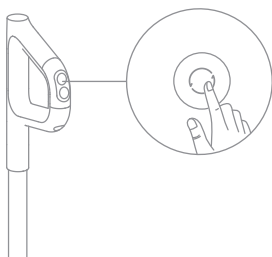
Nota: Quando l'aspirapolvere è in funzione, non sollevarlo e abbassarlo o spostarlo e non inclinare l'aspirapolvere su un lato o appoggiarlo in piano per proteggerlo dall'acqua sporca che torna nell'aspirapolvere.



Non reclinare l'aspirapolvere di oltre 140° per proteggerlo da perdita d'acqua.

Cambia Livello di Aspirazione

L'aspirapolvere è acceso per impostazione predefinita in modalità Standard. È possibile premere il pulsante del livello di aspirazione per passare alla modalità Forte in base alle effettive esigenze.



Cura & Manutenzione

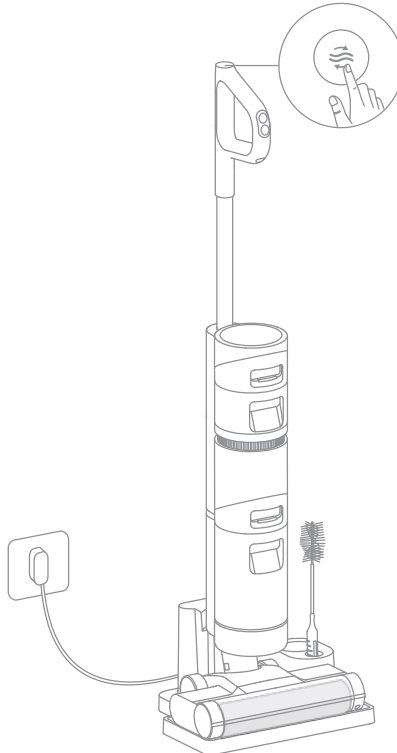
Suggerimenti:

1. Assicurarsi che l'aspirapolvere sia scollegato e non in funzione.
2. Le parti devono essere sostituite se necessario, si prega di utilizzare le parti designate dalla fabbrica originale per evitare danni al prodotto a causa di inadeguatezza.
3. Se l'aspirapolvere non viene utilizzato per un lungo periodo, caricarlo completamente, scollegare il caricabatterie e riporlo in un ambiente fresco e a bassa umidità, lontano dalla luce solare diretta. Per evitare lo scaricamento eccessivo della batteria, ricaricare l'aspirapolvere almeno una volta ogni 3 mesi.


Un-clic Autopulizia

* La funzione di autopulizia può essere abilitata solo quando l'aspirapolvere è carico e il livello della batteria è superiore al 10%.

1. Posizionare l'aspirapolvere in posizione verticale sulla base di ricarica dopo le pulizie designate e assicurarsi che il serbatoio dell'acqua pulita sia pieno.
2. Premere brevemente il pulsante di auto-pulizia sulla parte superiore dell'impugnatura, l'indicatore di auto-pulizia illumina sullo schermo e l'auto-pulizia si avvia.
3. L'aspirapolvere continuerà a ricaricarsi al termine dell'autopulizia.

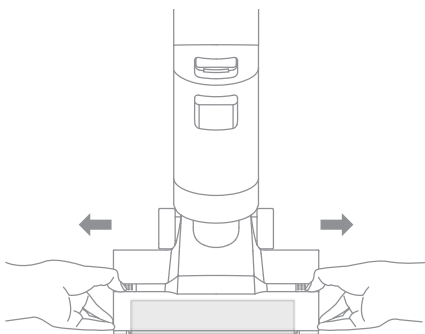


Nota:

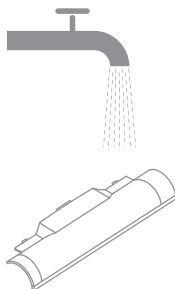
- Se è necessaria l'Auto-Pulizia profonda, premi e tieni premuto il pulsante  per attivare la funzione di autopulizia profonda. Per favore riempi il serbatoio dell'acqua pulita e svuota il serbatoio dell'acqua sporca prima dell'attivazione e questa funzione può essere attivata solo quando l'aspirapolvere è carico e il livello della batteria è superiore al 30%.
- Al termine dell'autopulizia, pulire in tempo il serbatoio dell'acqua sporca. Se ci sono macchie residue sulla base, pulire la base in tempo.

Pulire il Coperchio della Spazzola a Rullo * Pulire secondo necessità.

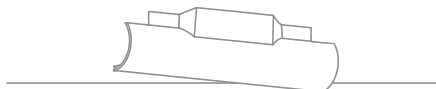
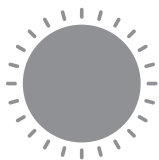
1. Come mostrato nella figura, premere i pulsanti di rilascio del coperchio della spazzola a rullo su entrambi i lati verso l'esterno per rimuovere il coperchio della spazzola a rullo.



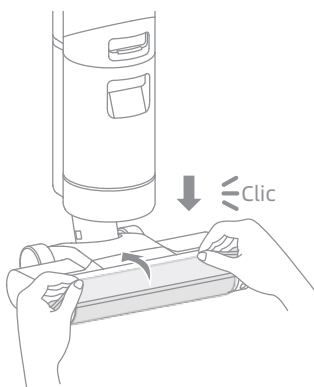
2. Risciacquare il coperchio della spazzola a rullo con acqua pulita finché non è pulito.



3. Il coperchio deve essere asciugata completamente prima dell'uso.



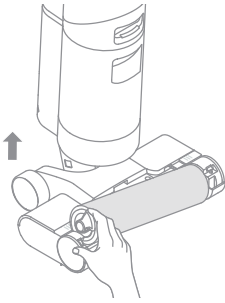
4. Allineare il coperchio della spazzola con la fessura destra sull'aspirapolvere e premere il coperchio verso il basso finché non si sente un clic.



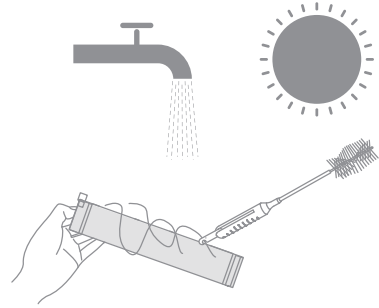
Cura & Manutenzione

Pulire la Spazzola a Rullo * Pulisci secondo necessità, si consiglia di sostituirlo ogni 3 - 6 mesi.

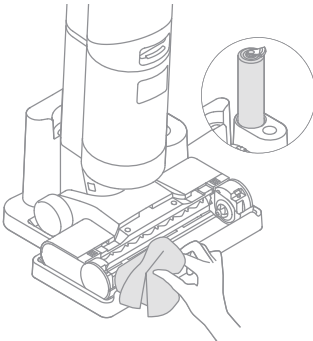
1. Sollevare la maniglia sinistra della spazzola a rullo ed estrarla.



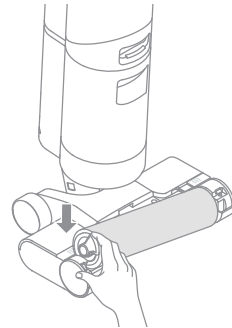
2. Utilizzare la spazzola di pulizia inclusa per rimuovere i peli e detriti che rimangono bloccati nella spazzola a rullo e sciacquarla con acqua pulita. La spazzola a rullo deve essere asciugata completamente prima dell'uso.



3. Rimuovere la polvere dalla bocca di aspirazione con un panno asciutto o un tovagliolo di carta. Non risciacquarlo mai con acqua.



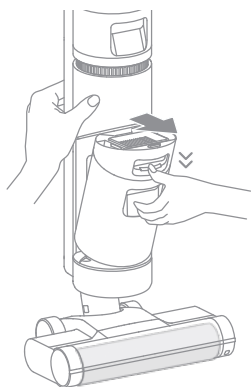
4. Al termine della pulizia, allineare il lato destro della spazzola a rullo con la fessura destra dell'aspirapolvere e spingere il lato sinistra nella fessura sinistra dell'aspirapolvere finché non scatta in posizione.



Pulire il Serbatoio dell'Acqua Sporca

* Si consiglia di svuotare il serbatoio dell'acqua sporca dopo ogni utilizzo e prima e dopo l'attivazione della funzione di autopulizia.

1. Premere il pulsante di rilascio del serbatoio dell'acqua sporca ed estrarlo come indicato.



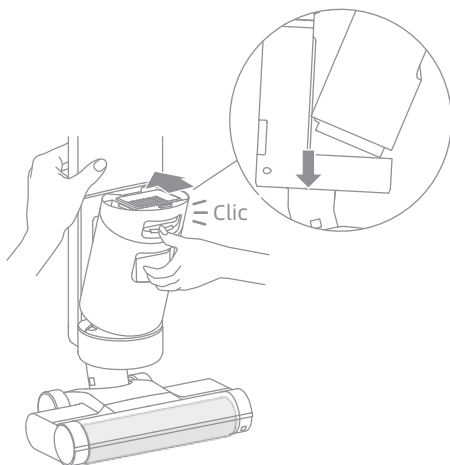
2. Tenere il serbatoio con una mano e sollevare il coperchio del serbatoio con l'altra mano. Versare l'acqua sporca.



3. Sciacquare il serbatoio e il coperchio del serbatoio con acqua pulita. La spazzola di pulizia inclusa può essere utilizzata per pulire l'interno del serbatoio.



4. Al termine della pulizia, chiudere il coperchio del serbatoio, far scattare il fondo del serbatoio nella posizione di supporto dell'aspirapolvere, e spingere delicatamente il serbatoio fino a sentire un clic che indica che è in posizione.

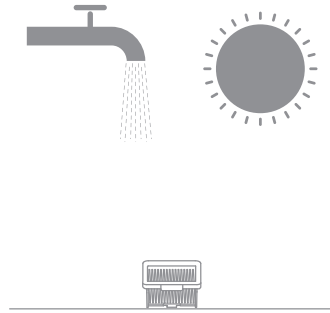
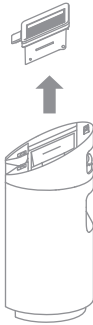


Cura & Manutenzione

Pulire il Filtro * Si consiglia di pulirlo dopo ogni uso e di sostituirlo ogni 3 - 6 mesi.

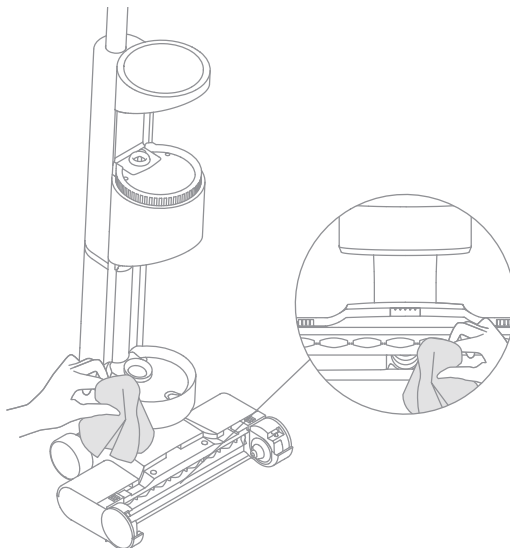
1. Rimuovere il filtro dalla parte superiore del serbatoio dell'acqua sporca.

2. Risciacquare il filtro con acqua pulita. Asciugarlo completamente prima di reinstallarlo.



Pulire il Tubo

Rimuovere il serbatoio dell'acqua sporca, usare un panno umido per pulire lo sporco nel tubo prima dell'uso.



Domande Frequenti





Errore	Causa possibile	Soluzione
L'aspirapolvere non funziona.	La maniglia di montaggio non è stata installata in posizione.	Reinstallare la maniglia di montaggio.
	La batteria dell'aspirapolvere è scarica o in basso livello.	Caricare completamente l'aspirapolvere e poi continuare a utilizzarlo.
	L'aspirapolvere è in posizione verticale.	Reclinare l'aspirapolvere.
	La spazzola a rullo non è stata installata in posizione o è bloccata.	Reinstallare o pulire la spazzola a rullo.
	Il serbatoio dell'acqua sporca non è stato installato in posizione.	Reinstallare il serbatoio dell'acqua sporca.
	Il serbatoio dell'acqua sporca è pieno.	Svuotare il serbatoio dell'acqua sporca.
Debole forza di aspirazione.	Il filtro è ostruito.	Pulire il filtro.
	Il coperchio della spazzola a rullo, il filtro, e il serbatoio dell'acqua pulita non sono stati installati in posizione.	Assicurarsi che le parti siano state installate in posizione prima dell'uso.
	La spazzola a rullo è aggrovigliata dai peli.	Fare riferimento alla sezione del manuale di manutenzione [Pulire della spazzola a rullo].
	Ci sono alcuni oggetti estranei nel tubo o il tubo è ostruito.	Pulire il tubo.
Il motore fa uno strano rumore.	Troppa acqua sporca nel serbatoio dell'acqua sporca.	Svuotare il serbatoio dell'acqua sporca.
	La bocca di aspirazione principale è ostruita.	Eliminare qualsiasi blocco nella bocca di aspirazione principale.
L'indicatore di stato della batteria non si accende durante la carica.	L'adattatore non è collegato alla presa elettrica.	Assicurarsi che l'adattatore sia collegato correttamente.

Domande Frequenti

Errore	Causa possibile	Soluzione
L'indicatore di stato della batteria non si accende durante la carica.	L'adattatore di alimentazione non è collegato correttamente alla base di ricarica.	Assicurarsi che siano collegati correttamente.
	La base di ricarica non è collegata all'aspirapolvere.	Assicurarsi che l'aspirapolvere sia a posto.
Nessun flusso d'acqua fuoriesce dall'aspirapolvere.	Il serbatoio dell'acqua pulita non è stato installato o il serbatoio dell'acqua pulita è vuoto.	Reinstallare o riempire il serbatoio dell'acqua pulita.
Perdita d'acqua dalla parte superiore del serbatoio dell'acqua sporca.	Una collisione o una forte trazione provoca l'ingresso di acqua nel motore.	Spostare delicatamente avanti e indietro quando l'aspirapolvere è acceso.
	Il filtro non è completamente asciutto dopo essere stato pulito.	Asciugare completamente il filtro prima dell'uso.
Auto-pulizia fallita.	La spazzola a rullo potrebbe essere bloccata da particelle di grandi dimensioni.	Aprire il coperchio della spazzola a rullo per controllarla e pulirla.
	L'aspirapolvere non è in ricarica.	Assicurarti che l'aspirapolvere sia in ricarica prima di attivare la funzione di auto-pulizia.
	L'auto-pulizia non può essere avviata se il livello della batteria è inferiore al 10%.	La funzione di autopulizia può essere abilitata solo quando l'aspirapolvere è carico e il livello della batteria è superiore al 10%.
	Il serbatoio dell'acqua sporca non è stato installato in posizione oppure il serbatoio dell'acqua sporca è pieno.	Reinstallare o svuotare il serbatoio dell'acqua sporca.
	Il serbatoio dell'acqua pulita non è stato installato o il serbatoio dell'acqua pulita è vuoto.	Reinstallare o riempire il serbatoio dell'acqua pulita.

Suggerimento Guasto

In presenza di una situazione anormale durante l'uso del dispositivo, lo schermo visualizzerà un messaggio rapido. Si devono seguire le indicazioni sullo schermo per mantenere le funzionalità invariate.

Icona errore	Causa possibile	Soluzioni
	Serbatoio dell'acqua pulita vuoto	Riempire il serbatoio dell'acqua pulita.
	Serbatoio dell'acqua sporca non installato	Installare il serbatoio dell'acqua sporca.
	Serbatoio dell'acqua sporca pieno	Svuotare il serbatoio dell'acqua sporca.
	Spazzola a rullo bloccata	Pulire la spazzola a rullo con la spazzola per la pulizia inclusa.
	Spazzola a rullo non installata	Installare la spazzola a rullo.
	Tubo bloccato	Per favore controlla se il filtro è ostruito.
		Fare riferimento alla sezione [Pulizia del Tubo] del manuale di manutenzione .

Codice di guasto	Causa possibile	Soluzioni
E1/EE/EF	Errore Motore	Si prega di contattare il servizio clienti.
E2/E3/E7/E8/E9	Batteria guasta	Si prega di contattare il servizio clienti.
E4/E5	Adattatore di alimentazione incompatibile	Utilizzare l'adattatore di alimentatore originale, o contattare il servizio clienti.
E6	Batteria surriscaldata	Attendere che la temperatura della batteria ritorni normale, e poi continuare l'utilizzo dell'aspirapolvere.

Parametri di Base

Aspirapolvere			
Modello	VWV7	Tempo di Carica	Circa 3 ore
Tensione Nominale	21,6 V ---	Tensione di Carica	26 V ---
Potenza Nominale	170 W	Capacità Stimata	2300 mAh
Capacità Nominale	2500 mAh	Capacità del Serbatoio dell'Acqua Sporca	500 mL
Capacità del Serbatoio dell'Acqua Pulita	900 mL		
Adattatore di Alimentazione			
Modello	YLS0251B-E260090 (EU) / YLS0251A-A260090 (AU)	Efficienza attiva media	87,28%
Ingresso	100-240 V ~ 50/60 Hz 0,8A Max	Efficienza a basso carico (10%)	79,74%
Uscita	26 V --- 0,9 A	Consumo di energia a vuoto	0,08 W

- Questo prodotto contiene batterie che possono essere sostituite solo da un tecnico qualificato o da un centro di assistenza post-vendita.
- Questo prodotto contiene batterie non sostituibili.
- Questo apparecchio contiene un pacco batteria ricaricabile agli ioni di litio, che è dannoso per l'ambiente quando viene rottamato. Si prega di rimuovere la batteria dall'apparecchio secondo i seguenti suggerimenti prima di gettare l'apparecchio e smaltirlo in modo ragionevole:
 - Prima di smontare la batteria, scollegare l'alimentazione e consumare la batteria il più possibile, e poi svitare le viti di fissaggio del coperchio inferiore dell'apparecchio e rimuovere il coperchio inferiore.
 - Scollegare il terminale di collegamento della batteria e estrarla. Prestare attenzione a non danneggiare l'involucro della batteria per evitare pericoli.
 - Portare la batteria a un'agenzia di riciclaggio professionale per lo smaltimento.

Informazioni RAEE



Tutti i prodotti contrassegnati da questo simbolo sono rifiuti di apparecchiature elettriche ed elettroniche (RAEE in base alla direttiva 2012/19/UE) che non devono essere smaltiti assieme a rifiuti domestici non differenziati. Al contrario,

è necessario proteggere l'ambiente e la salute umana consegnando i rifiuti a un punto di raccolta autorizzato al riciclaggio di rifiuti di apparecchiature elettriche ed elettroniche, predisposto dalla pubblica amministrazione o dalle autorità locali. Lo smaltimento e il riciclaggio corretti aiutano a prevenire conseguenze potenzialmente negative all'ambiente e alla salute umana. Contattare l'installatore o le autorità locali per ulteriori informazioni sulla sede e per i termini e le condizioni di tali punti di raccolta.

Instrucciones de Seguridad Importantes Uso Doméstico Sólo

- Al usar un aparato eléctrico, siempre se deben seguir las precauciones básicas, incluidas las siguientes:
- LEA TODAS LAS INSTRUCCIONES ANTES DE USO (DE ESTE APARATO). El incumplimiento de las advertencias e instrucciones puede provocar descargas eléctricas, incendios y / o lesiones graves.

ADVERTENCIA- Para reducir el riesgo de incendio, descarga eléctrica o lesiones:

- Utilícelo únicamente como se describe en este manual del usuario. Utilice solo los accesorios recomendados por el fabricante.
- Utilícelo únicamente en interiores y sobre pisos sin alfombras, como por ejemplo vinilo, baldosas, madera sellada, etc. Tenga cuidado de no pasar por encima de objetos sueltos o bordes de tapetes. Cepillo atrapado puede causar falla prematura de la correa.
- No permita que se utilice como juguete. Preste mucha atención cuando se utiliza cerca de los niños, mascotas o plantas.
- No use un líquido inflamable o combustibles para limpiar pisos / No lo use para recoger líquidos inflamables o combustibles, como gasolina, ni lo use en áreas donde puedan estar presentes.
- Para recargar la batería, utilice sólo la unidad desmontable que viene con este aparato. Utilice sólo con la unidad de alimentación YLS0251B-E260090 (EU) / YLS0251A-A260090 (AU) .
- Recargue el aspirador sólo con el cargador especificado por el fabricante. Un cargador que sea adecuado para un tipo de paquete de baterías puede crear un riesgo de incendio si se usa con otro paquete de baterías.
- No sumerja el aspirador en líquido. Úselo solo en pisos ya humedecidos por el proceso de limpieza.
- Este aparato puede ser utilizado por niños mayor de 8 años y personas con capacidades físicas, sensoriales o mentales reducidas o con falta de experiencia y conocimiento siempre que hayan recibido supervisión o instrucciones sobre el uso del aparato de forma segura y que comprendan los peligros potenciales. Los niños no deben jugar con el aparato. Los niños no deben realizar la limpieza y el mantenimiento del aparato sin supervisión.
- La película plástica puede causar peligro. Para evitar asfixia, manténgala alejado de los niños.
- Mantenga el cabello, la ropa suelta, los dedos y todas las partes de su cuerpo alejados de las aberturas y las partes móviles del aparato y sus accesorios.
- Utilice únicamente el tipo y el volumen de líquidos especificados en la sección de operaciones de este manual. El líquido no debe dirigirse hacia equipos que contengan componentes eléctricos.
- No introduzca ningún objeto en las aberturas. No use el aspirador cuando alguna abertura esté bloqueada; manténgalo libre de polvo, pelusa, pelos y cualquier cosa que pueda reducir el flujo de aire.

Safety Information

- No lo use sin los filtros instalados correctamente.
- No utilice el aspirador si el cable o el enchufe están dañados. Si el cable o el enchufe están dañados, debe ser reemplazado por el fabricante, su agente de servicio o personas calificadas para evitar peligro.
- No utilice el aspirador para recoger líquidos inflamables o combustibles, como petróleo, ni lo utilice en áreas donde esos líquidos puedan estar presentes.
- No recoja material tóxico (blanqueador con cloro, amoníaco, líquido limpiador de desagües, etc.). No recoja objetos duros o afilados como vidrio, clavos, tornillos, monedas, etc.
- No utilice el aparato en un espacio cerrado lleno de vapor emitido por pintura a base de aceite, disolvente de pintura, sustancias a prueba de polillas, polvo inflamable u otros vapores explosivos o tóxicos. No recoja ningún objeto que se esté quemando o humeando, como cigarrillos, fósforos o cenizas calientes.
- No cargue el aspirador al aire libre. No lo recargue, desmonte, caliente por encima de 60 ° C ni lo incinere.
- Los terminales de salida de la base de carga no deben cortocircuitarse. No lo use con un cable o cargador dañado. Si el aparato se ha caído, dañado, dejado al aire libre, sumergido en agua o no funciona como debería, devuélvalo a un centro de servicio.
- Mantenga el cable del cargador alejado de superficies calientes. No toque el enchufe del cargador ni del aparato con manos mojadas. Para desenchufarlo, tome el enchufe del cargador en vez de su cable.
- No tire ni transporte el cargador por su cable, no utilice el cable como asa, no cierre la puerta por encima del cable ni lo extienda contra esquinas afilados.
- Apague el aparato cuando no está en uso, antes de limpieza, mantenimiento o reparación y antes de conectar o desconectarlo con un cepillo en movimiento.
- El aparato debe estar desconectado de la fuente de alimentación al retirar la batería. Mantenga las baterías fuera del alcance de los niños. Nunca ponga las baterías en la boca. En caso de ingestión, póngase en contacto con su médico o con el centro de toxicología local.
- No utilice electrodomésticos que estén dañados o modificados. Baterías dañadas o modificadas pueden provocar actos impredecibles que resulten en fuego, explosión o riesgo de lesiones.
- No exponga el aparato al fuego ni a temperaturas excesivas. La exposición al fuego o una temperatura superior a 130 ° C puede provocar una explosión.
- Siga todas las instrucciones de carga y no cargue el aparato fuera del rango de temperatura especificado en la batería, lo cual aumentará el riesgo de incendio.
- No incinere el aparato aunque esté muy dañado. La batería debe desecharse de forma segura y debe retirarse del aparato antes de desecharla para evitar una explosión en el fuego.
- En condiciones ásperas, nunca toque la batería de la cual el líquido puede ser expulsado. Si el contacto con el líquido ocurre por accidente, enjuague con agua. Si el líquido entra en contacto con los ojos, busque ayuda médica de inmediato. El líquido expulsado de la batería puede causar irritación o quemaduras.

Safety Information

- Asegúrese de que el aparato esté colocado sobre una superficie horizontal. No utilice el aparato en el mismo puesto si el aparato cuenta con un cepillo de rodillo y el asa no está en posición completamente vertical. No guarde el aparato en un lugar donde pueda congelarse.
- Tenga especial cuidado al limpiar escaleras.
- Para evitar arranque involuntario, asegúrese de que el interruptor esté en la posición APAGADO antes de levantar o transportar el aparato. Llevar el aparato con el dedo puesto en el interruptor o cargarlo con el interruptor en encendido puede provocar accidentes.
- Este aparato contiene baterías que solo pueden ser reemplazadas por personas capacitadas.

GUARDE ESTAS INSTRUCCIONES CONSIDERACIONES IMPORTANTES

- El servicio debe ser realizado por un técnico calificado que utilice únicamente piezas de repuesto idénticas. Esto asegura que se mantiene la seguridad del producto.
- No modifique ni intente reparar el aparato salvo que se indique en las instrucciones de uso y cuidado.
- No lo use ni lo almacene en ambientes extremadamente calientes o fríos (por debajo de 0 °C / 32 °F o por encima de 40 °C / 104 °F). Cargue el aspirador inalámbrico a una temperatura superior a 0 °C / 32 °F e inferior a 40 °C / 104 °F).
- Si el aparato se ha caído, dañado, dejado al aire libre, sumergido en agua o no funciona como debería, no intente utilizarlo. Mandélo a ser reparado a un centro de servicio autorizado.

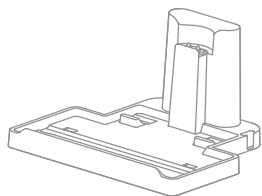
Nosotros, Dreame Trading (Tianjin) Co., Ltd., por la presente, declaramos que el equipo cumple con las Directivas y Normas Europeas aplicables y las enmiendas. Encontrará el texto completo de la declaración de conformidad de la UE en esta dirección de Internet: www.dreame-technology.com

Para un manual electrónico detallado, vaya a

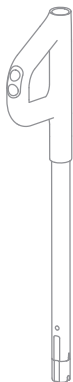
<https://www.dreame-technology.com/pages/user-manuals-and-faqs>

Descripción del producto

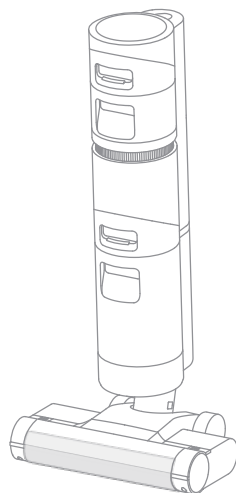
Lista de paquete



Base de carga



Componentes del asa



Cuerpo principal



Filtro de
Repuesto



Cepillo
limpiadora



Adaptador de
corriente



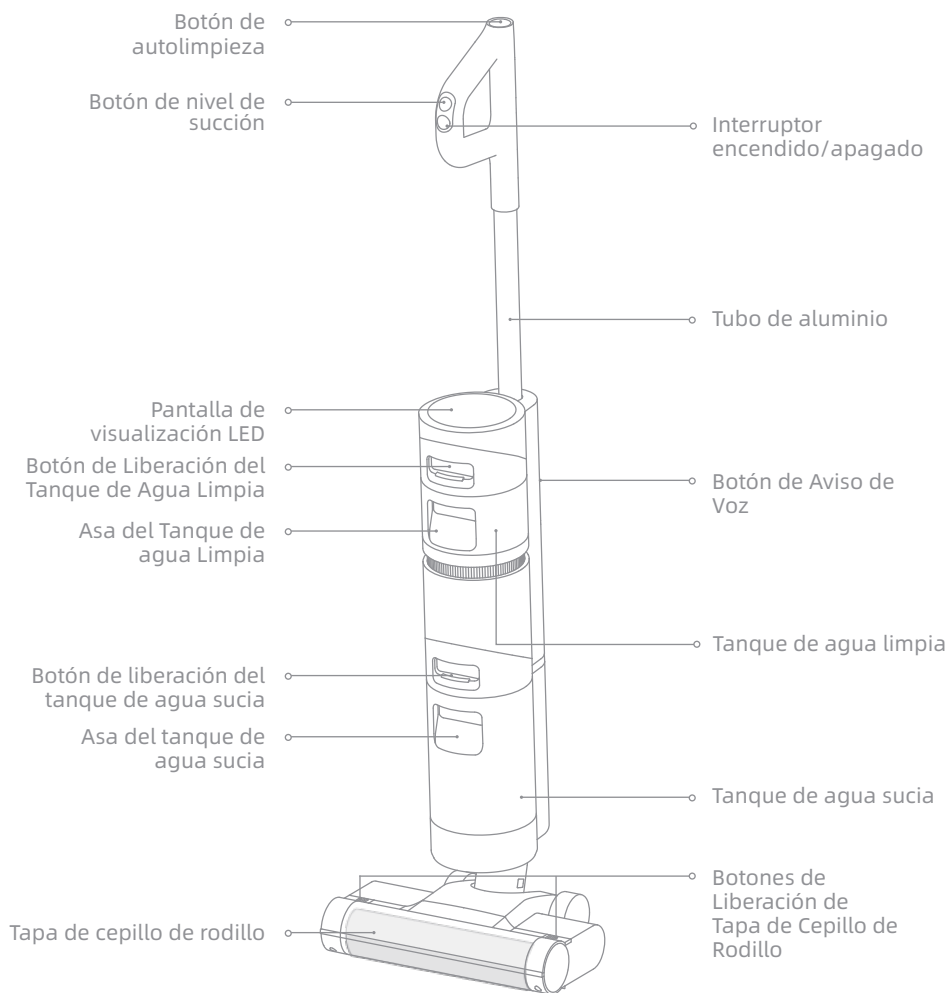
Recipiente de
Accesorios

Nota: Las imágenes de este manual son solo para fines ilustrativos. El producto real puede ser diferente.

Descripción del producto

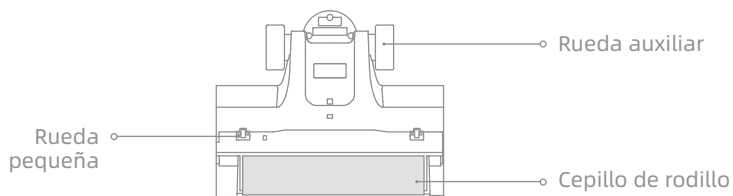
ES

Aspirador

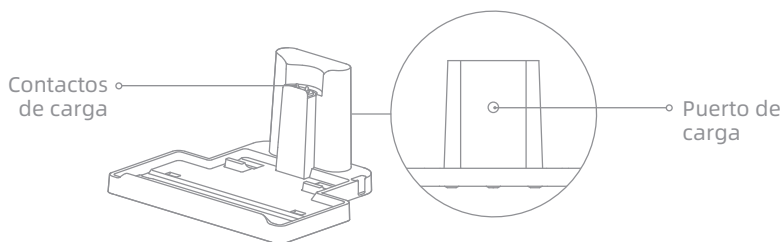


Descripción del producto

Montaje de cepillo de rodillo

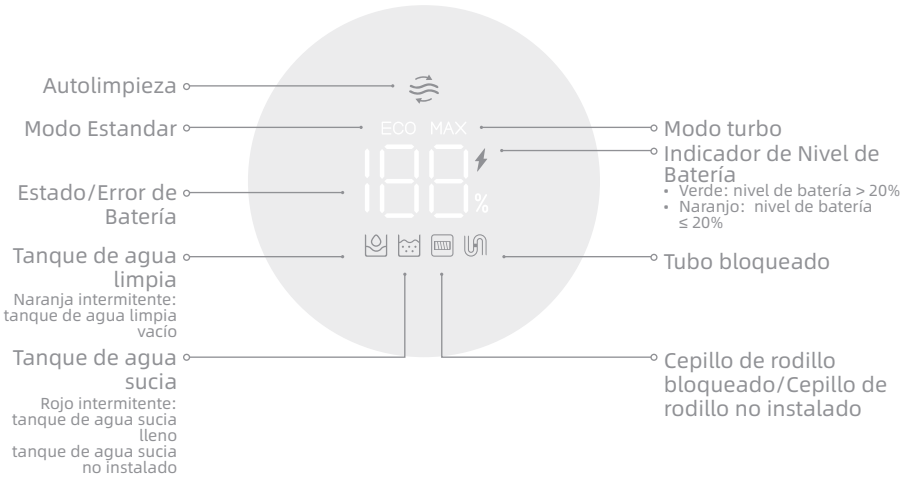


Base de carga

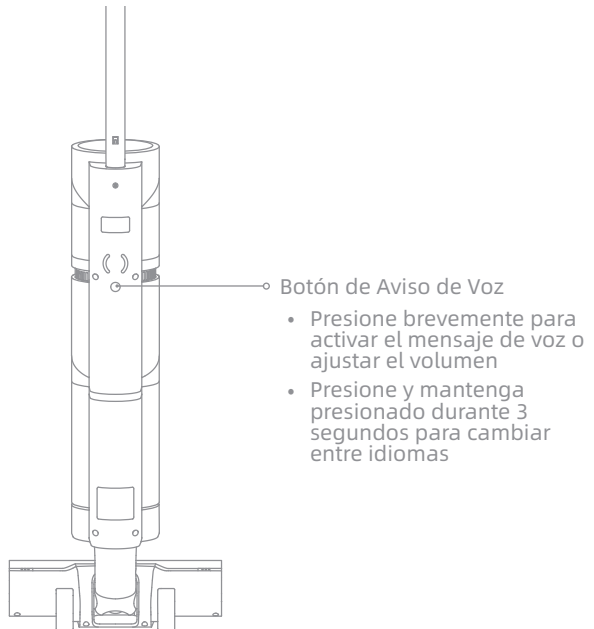


Descripción del producto

Pantalla de visualización



Botón de Aviso de Voz



Instalación de la Base de Carga

Instale el recipiente de accesorios en la base de carga como se indica.

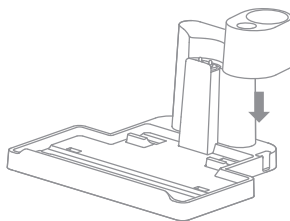
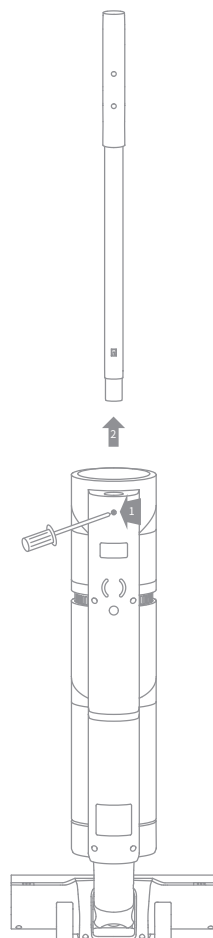
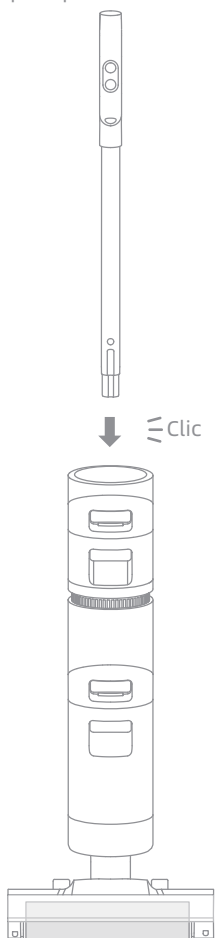


Diagrama de instalación de aspirador

Inserte el extremo del asa verticalmente en el puerto ubicado en la parte superior del aspirador como se indica, y asegure que haya encajado bien en su lugar.

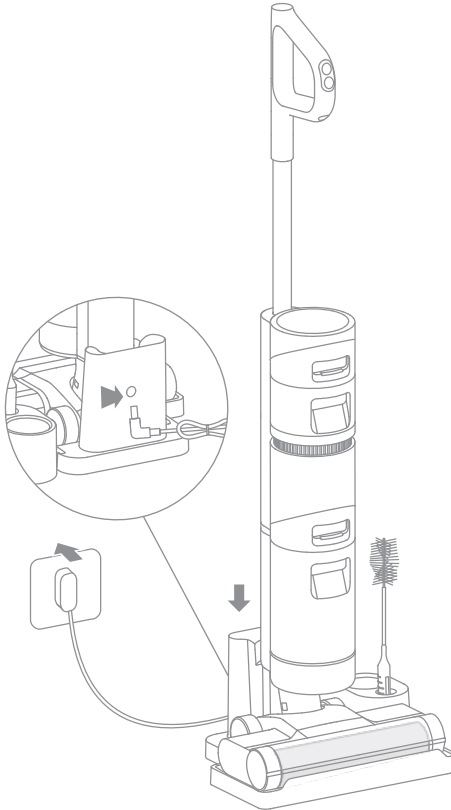
Nota: Para desmontar el asa, inserte un objeto duro al orificio en la parte posterior del aspirador para presionar el contacto y, al mismo tiempo, tire el asa hacia arriba.



Cargando

Nota: Cargue completamente el aspirador antes de primer uso.

1. Coloque la base de carga en el suelo nivelado contra una pared. Conecte un extremo del adaptador de corriente a la base de carga y el otro a una toma de corriente.
2. Coloque el aspirador en la base de carga, y cuando ⚡ se ilumina en la pantalla ,indica el estado de carga. El número en la pantalla representa en un porcentaje el nivel actual de la batería durante la carga. Cuando el número llega a 100, la batería está completamente cargada. Una vez que el aspirador esté completamente cargado, el indicador se apagará en 10 segundos.

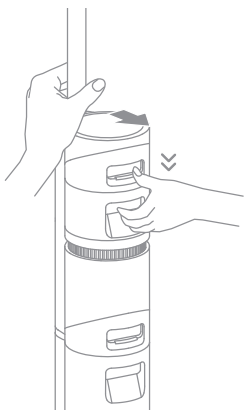


Nota: Después de 15 minutos de inactividad tras una carga completa, el aspirador comienza a dormir.

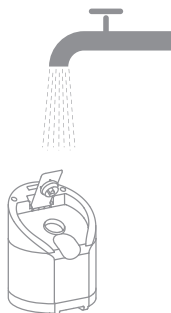
Instrucción del Uso

Llene el tanque de agua limpia

1. Presione el botón de liberación del tanque de agua limpia y tire del tanque hacia afuera para quitarlo.



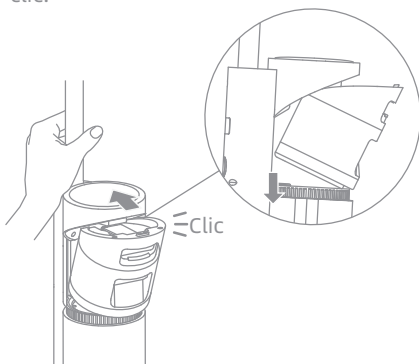
2. Abra la tapa del tanque y agregue suficiente agua limpia al tanque de agua limpia.



3. Cierre bien la tapa del tanque después de agregar el agua.



4. Instale el tanque de agua limpia en el cuerpo principal hasta que escuche un clic.

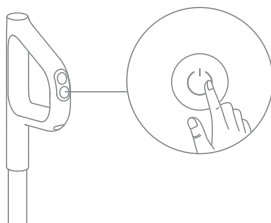


Instrucción del Uso

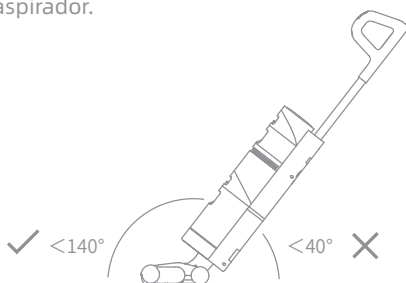
Empezar a Limpiar

El aspirador cuenta con un interruptor de inclinación/verticalidad. Úselo en ángulo después de encenderlo.

Presione brevemente  para encender el aspirador y comenzará a limpiar. Presione  nuevamente para pararlo.



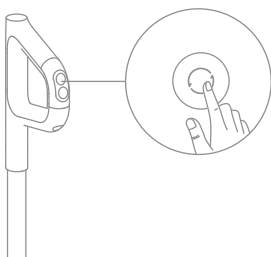
Nota: Cuando el aspirador está trabajando, no la levante del suelo ni la mueva, no la incline a un lado ni la coloque en posición horizontal, para impedir que agua sucia regrese a la aspirador.



No recline el aspirador más de 140 ° para impedir fugas de agua.

Cambiar el nivel de succión

El aspirador se enciende en el modo Estandar de manera predeterminada. Puede presionar el botón de nivel de succión para ingresar al modo Turbo según sus necesidades.



Cuidado y mantenimiento

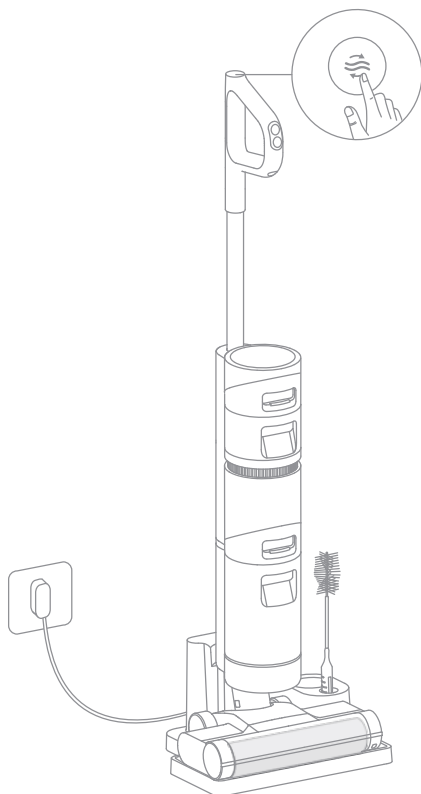
Consejos:

1. Asegúrese de que el aspirador esté desenchufado y que no esté trabajando.
2. Las piezas deben ser reemplazadas si es necesario. Utilice solamente las piezas designadas por la fábrica original para evitar daños al producto por incompatibilidad.
3. Si el aspirador no se va a usar durante un período prolongado, cárguelo completamente, desenchufe el cargador y guárdelos en un ambiente fresco, con poca humedad y sin exposición directa al sol. Para evitar una descarga excesiva de la batería, recargue la aspiradora al menos una vez cada 3 meses.


Autolimpieza Con Un Clic

* La función de autolimpieza sólo se puede activar cuando el aspirador está cargado y el nivel de la batería está superior al 10%.

1. Coloque el aspirador en posición vertical en la base de carga después de las limpiezas designadas y asegúrese de que el tanque de agua limpia esté lleno.
2. Presione brevemente el botón de autolimpieza en la parte superior del asa. El indicador de autolimpieza se enciende en la pantalla y la autolimpieza comienza. El aspirador continuará recargándose tras finalizar la autolimpieza.



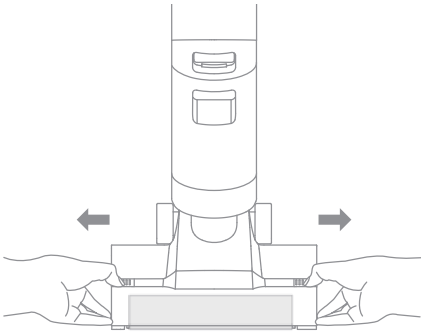
Nota:

- Si se necesita la autolimpieza profunda, entonces mantenga pulsado el botón  para activar la función de autolimpieza profunda. Llene el tanque de agua limpia y vacíe el tanque de agua sucia antes de la activación. Dicha función sólo se puede activar cuando el aspirador está cargado y el nivel de la batería está superior al 30%.
- Una vez finalizada la autolimpieza, limpie el tanque de agua sucia pronto. Si hay manchas residuales en la base, límpiela pronto.

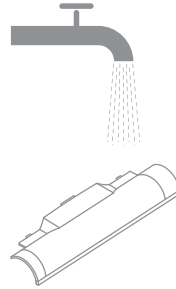
Cuidado y Mantenimiento

Limpeza de la Tapa del Cepillo de Rodillo * Límpielo cuando sea necesario.

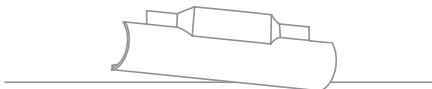
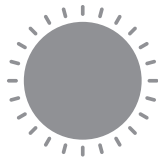
1. Como se muestra en la figura, presione los botones de liberación de la tapa de cepillo de rodillo en ambos lados hacia afuera para quitar la tapa.



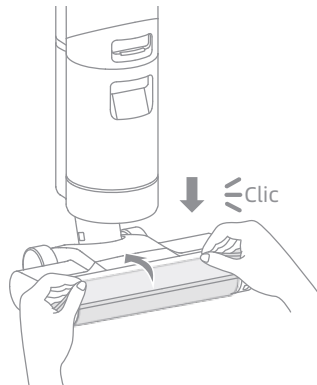
2. Enjuague la tapa del cepillo de rodillo con agua limpia hasta que esté limpio.



3. La tapa debe secarse completamente antes de uso.



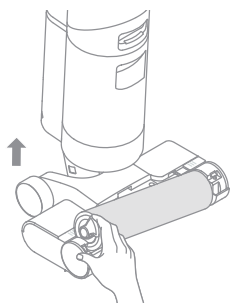
4. Alinee la tapa del cepillo con la ranura derecha del aspirador, y después presione la tapa del cepillo hacia abajo hasta que escuche el sonido de un clic.



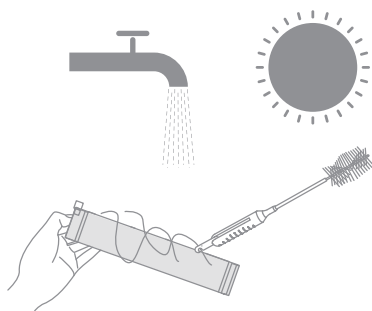
Cuidado y mantenimiento

Limpeza del Cepillo de Rodillo * Limpielo cuando sea necesario. Se recomienda reemplazarlo cada 3 a 6 meses.

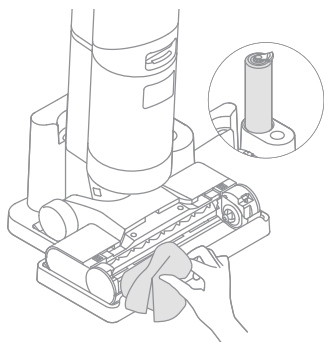
1. Tire hacia arriba del asa izquierda del cepillo de rodillo para sacarlo.



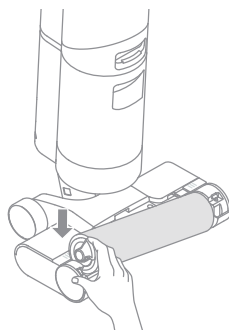
2. Utilice el cepillo de limpieza para eliminar los pelos y las suciedades que se hayan quedado atrapados en el cepillo de rodillo y enjuáguelo con agua limpia. El cepillo de rodillo debe secarse completamente antes de uso.



3. Elimine el polvo en la entrada de polvo con un paño seco o una toalla de papel. Nunca la enjuague con agua.



4. Una vez finalizada la limpieza, alinee el extremo derecho del cepillo de rodillo con la ranura derecha del aspirador y empuje el extremo izquierdo del aspirador hasta que haya encajado bien en su lugar.



Cuidado y mantenimiento

Limpeza del Tanque de Agua Sucia

* Se recomienda vaciar el tanque de agua sucia después de cada uso, y antes y después de que se active la función de autolimpieza.

1. Presione el botón de liberación del tanque de agua sucia y sáquelo como se indica.



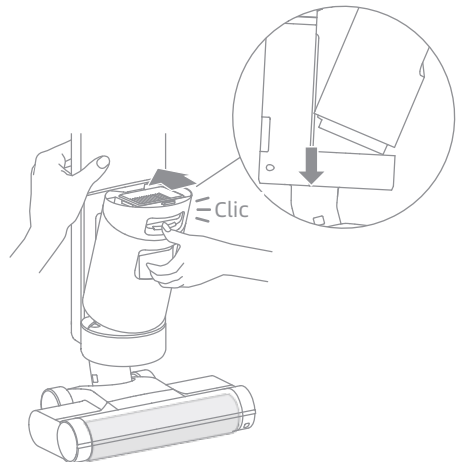
2. Sostenga el tanque con una mano y levante la tapa del tanque con la otra. Vierta el agua sucia.



3. Enjuague el tanque y la tapa del tanque con agua limpia. El cepillo de limpieza que viene con el producto se puede utilizar para limpiar la pared interior del tanque.



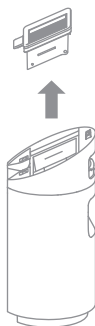
4. Una vez finalizada la limpieza, cierre la tapa del tanque, encaje la parte inferior del tanque en la posición de apoyo del aspirador y luego empuje suavemente el tanque hasta que usted escuche el sonido de un clic, lo cual indica que está en su lugar.



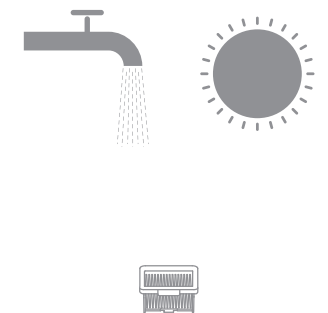
Cuidado y mantenimiento

Limpiar el Filtro * Se recomienda limpiarlo después de cada uso y reemplazarlo cada 3 a 6 meses.

1. Quite el filtro de la parte superior del tanque de agua sucia.

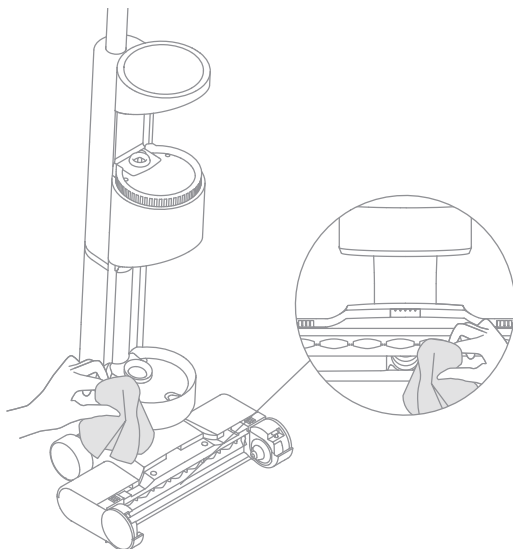


2. Enjuague el filtro con agua limpia y séquelo completamente antes de volver a instalarlo.



Limpiar el Tubo

Retire el tanque de agua sucia, límpielo con un paño húmedo a fin de eliminar la suciedad en el tubo antes de usarlo.



Preguntas Más Frecuentes





Error	Causa Posible	Solución
El aspirador no funciona.	Los componentes del asa no se han instalado correctamente.	Vuelva a instalar Los componentes del asa.
	El aspirador no tiene o tiene poca energía.	Cargue completamente el aspirador y luego siga usándolo.
	El aspirador está en posición vertical.	Reclina el aspirador.
	El cepillo de rodillo no se ha instalado correctamente o se ha bloqueado.	Vuelva a instalar el cepillo de rodillo o límpielo.
	El tanque de agua sucia no se ha instalado correctamente.	Reinstale el tanque de agua sucia.
	El tanque de agua sucia está lleno.	Vacíe el tanque de agua sucia.
Potencia de succión débil.	El filtro está obstruido.	Límpie el filtro.
	La tapa del cepillo de rodillo, el filtro y el tanque de agua limpia no se han instalado correctamente.	Asegúrese de que las piezas se hayan instalado correctamente antes de uso.
	El cepillo de rodillo está enredado con pelos.	Consulte la sección [Limpieza del Cepillo de Rodillo] del manual de mantenimiento.
	Hay objetos extraños en el tubo o el tubo está bloqueado.	Límpie el tubo.
El motor produce un ruido extraño.	Demasiada agua sucia en el tanque de agua sucia.	Vacíe el tanque de agua sucia.
	La boquilla de succión principal está bloqueada.	Elimine cualquier obstrucción en la boquilla de succión principal.
El indicador de estado de la batería no se ilumina durante la carga.	El adaptador no está enchufado a la toma de corriente.	Asegúrese de que el adaptador de corriente esté enchufado correctamente.
	El adaptador de corriente no está conectado correctamente a la base de carga.	Asegúrese de que estén conectados correctamente.

Preguntas Más Frecuentes

Error	Causa Posible	Solución
El indicador de estado de la batería no se ilumina durante la carga.	La base de carga no está conectada al aspirador.	Asegúrese de que el aspirador esté en su lugar.
No sale agua del cepillo del aspirador.	El tanque de agua limpia no se ha instalado correctamente o está vacío.	Reinstale o llene el tanque de agua limpia.
Fuga de agua por la parte superior del tanque de agua sucia.	Una colisión o un tirón brusco causa que entre agua en el motor.	Muévalo suavemente al usar el aspirador.
	El filtro no está completamente seco después de ser limpiado.	Seque completamente el filtro antes de usarlo.
Autolimpieza fracasó.	El cepillo de rodillo puede estar atascado por partículas grandes.	Abra la tapa del cepillo de rodillo para comprobar y limpiarlo.
	El aspirador no se está cargando.	Asegúrese de que el aspirador esté cargado antes de activar autolimpieza.
	La autolimpieza no se puede iniciar si el nivel de la batería está inferior al 10%.	La función de autolimpieza sólo se puede activar cuando el aspirador está cargado y el nivel de la batería está superior al 10%.
	El tanque de agua sucia no se ha instalado correctamente o está lleno.	Instale de nuevo o vacíe el tanque de agua sucia.
	El tanque de agua limpia no se ha instalado correctamente o está vacío.	Reinstale o llene el tanque de agua limpia.

Indicación de fallo

Si la aspiradora no funciona con normalidad, en la pantalla aparecerá un mensaje de error. Consulte la tabla siguiente para encontrar la solución al problema en función del mensaje de error.

Icono del error	Causa Posible	Soluciones
	Tanque de agua limpia vacío	Llene el tanque de agua limpia.
	Tanque de agua sucia no instalado	Instale el tanque de agua sucia.
	Tanque de agua sucia lleno	Vacíe el tanque de agua sucia.
	Cepillo de rodillo bloqueado	Limpie el cepillo giratorio con el cepillo de limpieza incluido.
	Cepillo de rodillo no instalado	Instale el cepillo de rodillo.
	Tubo bloqueado	Por favor compruebe si el filtro está obstruido.
		Consulte la sección [Limpiar el Tubo] del manual de mantenimiento.

Código de fallo	Causa Posible	Soluciones
E1/EE/EF	Error de motor	Comuníquese con el servicio de atención al cliente.
E2/E3/E7/E8/E9	Falla de batería	Comuníquese con el servicio de atención al cliente.
E4/E5	Adaptador de corriente incompatible	Utilice el adaptador de corriente original o póngase en contacto con servicio al cliente.
E6	Sobrecalentamiento de batería	Espera hasta que la temperatura de la batería vuelva a la normalidad antes de seguir usando el aspirador.

Aspirador			
Modelo	VWV7	Tiempo de carga	Aprox. 3 horas
Voltaje nominal	21,6 V ---	Voltaje de carga	26 V ---
Potencia nominal	170 W	Capacidad Nominal	2300 mAh
Capacidad Nominal	2500 mAh	Capacidad de tanque de agua sucia	500 mL
Capacidad de tanque de agua limpia	900 mL		
Adaptador de corriente			
Modelo	YLS0251B-E260090 (EU) / YLS0251A-A260090 (AU)	Eficiencia activa media	87,28%
Entrada	100-240 V ~ 50/60 Hz 0,8 A Max	Eficiencia a baja carga (10%)	79,74%
Salida	26 V ---, 0,9 A	Consumo de energía sin carga	0,08 W

- Este producto contiene baterías que sólo pueden ser reemplazadas por técnicos cualificados o por el servicio postventa.
- Este producto contiene baterías que no son reemplazables.
- Este aparato contiene batería recargable de iones de litio que puede dañar el medio ambiente al desecharse. Observe las siguientes instrucciones para extraer la batería del aparato y desecharla de manera correcta:
 - antes de extraer la batería, apague el aparato y agote su energía tanto como sea posible; luego desenrosque los tornillos de fijación de la carcasa del aparato y quite la carcasa.
 - desconecte los puntos de conexión de la batería y extráigala; tenga cuidado de no dañar la carcasa de la batería para evitar riesgos.
 - entregue la batería extraída a una agencia de reciclaje profesional.

Información sobre RAEE



Todos los productos que llevan este símbolo son residuos de aparatos eléctricos y electrónicos (RAEE según la directiva 2012/19/UE) que no deben mezclarse con residuos domésticos sin clasificar. En su lugar, debe proteger la salud humana y el medio ambiente entregando sus equipos de desecho a un punto de recogida para el reciclaje de residuos de equipos eléctricos y electrónicos, designado por el gobierno o las autoridades locales. La eliminación y el reciclado correctos ayudarán a evitar posibles consecuencias negativas para el medio ambiente y la salud humana. Póngase en contacto con el instalador o con las autoridades locales para obtener más información sobre la ubicación y las condiciones de dichos puntos de recogida.

Меры предосторожности

Важные меры предосторожности Только для бытового использования

- Во время использования электрических приборов необходимо всегда соблюдать базовые меры предосторожности, включая следующие:
- ПЕРЕД ИСПОЛЬЗОВАНИЕМ (ДАННОГО ПРИБОРА) ПРОЧТИТЕ ВСЕ ИНСТРУКЦИИ. Нарушение предупреждений и инструкций может привести к поражению током, возгоранию или серьезным травмам.

ПРЕДУПРЕЖДЕНИЕ Для снижения риска возгорания, поражения током или травм:

- Используйте прибор только согласно инструкциям в руководстве по эксплуатации. Используйте только аксессуары, рекомендованные производителем.
- Используйте прибор только в помещении и на таких нековровых поверхностях, как ПВХ, плитка, ламинат и др. Пылесос не должен проезжать по неплотным поверхностям либо вдоль краев ковров. Заклинивание щетки может привести к повреждению ремня раньше срока.
- Запрещается использовать прибор в качестве игрушки. Будьте предельно внимательны во время использования пылесоса рядом с детьми, домашними животными или растениями.
- Запрещается использовать легко воспламеняющиеся или горячие жидкости для очистки пола. Запрещается использовать пылесос для уборки легко воспламеняющихся или горючих жидкостей либо использовать его в местах, где могут присутствовать подобные вещества.
- Используйте только разъемный блок питания для зарядки аккумулятора в комплекте с данным прибором. Допускается использование только блока питания YLS0251B-E260090 (EU) / YLS0251A-A260090 (AU).
- Заряжайте пылесос только с помощью зарядного устройства, указанного производителем. Зарядное устройство, подходящее для одного типа аккумуляторного блока, может создать риск возгорания при использовании с другим аккумуляторным блоком.
- Запрещается погружать пылесос в воду. Используйте пылесос только на полу, увлажненном в процессе уборки.
- Детям в возрасте 8 лет и старше, лицам с ограниченными физическими, чувственными и умственными способностями, а также лицам без надлежащего опыта и знаний разрешается использовать данное изделие только после того, как им будет подробно разъяснен способ безопасного использования данного электроприбора и все возможные риски. Запрещается позволять детям играть с прибором. Детям запрещается использовать прибор для уборки и ремонтировать его без надзора взрослых.
- Пластиковый защитный материал может быть опасен. Не храните его рядом с детьми во избежание удушья.
- Держите волосы, свободную одежду, пальцы и другие части тела на расстоянии от отверстий и движущихся деталей прибора и его аксессуаров.
- Жидкости должны использоваться в строгом соответствии с типом и объемом, указанными в разделе управления прибором. Запрещается мочить электрические компоненты оборудования.
- Запрещается размещать предметы в отверстиях. Запрещается использовать пылесос в случае засорения отверстия. Поддерживайте проходимость воздуха через отверстие и удаляйте пыль, ворсинки, волосы и другие элементы.
- Запрещается использовать прибор без установленных фильтров.

Меры предосторожности

- Запрещается использовать пылесос с поврежденным шнуром или вилкой. В случае повреждения необходимо произвести замену у производителя, специалистов обслуживания либо аналогичного квалифицированного персонала во избежание опасности.
- Запрещается использовать пылесос для уборки легко воспламеняющихся или горючих жидкостей, например бензина, либо использовать его в не предназначенных для этого местах.
- Не используйте пылесос для уборки токсичных веществ (например отбеливатель, аммиак, пятновыводитель и др.). Запрещается собирать с помощью пылесоса стекло, гвозди, болты, монеты и др.
- Запрещается использовать прибор в местах испарения масляной краски и других субстанций. Запрещается собирать горячие либо дымящие предметы, например сигареты, спички либо пепел.
- Запрещается выполнять зарядку на улице. Запрещается заряжать, разбирать, нагревать до температуры выше 60° С либо поджигать.
- Выходные терминалы базы для зарядки не должны быть короткозамкнутыми. Запрещается использовать их с поврежденными шнурами либо зарядными блоками. Если прибор подвергался ударам, был поврежден, оставлен на улице, попал в воду либо не работает как следует, верните его в сервисный центр.
- Держите шнур питания на расстоянии от теплых поверхностей. Запрещается трогать розетку и прибор влажными руками. Чтобы вытащить его, возьмитесь плотно за вилку, а не дергайте за шнур.
- Запрещается вытаскивать либо вставлять зарядное устройство с помощью шнура, использовать его в качестве ручки, придавливать закрытой дверью либо обматывать им острые края или углы.
- Выключайте пылесос, когда он не используется, а также перед очисткой, ремонтом или сервисным обслуживанием и до подключения либо после подключения инструмента к вращающейся щетке.
- При извлечении аккумулятора необходимо отключить прибор от электропитания. Храните аккумуляторы в недоступном для детей месте. Запрещается класть аккумуляторы в рот. В случае проглатывания свяжитесь с терапевтом либо местным отделом контроля опасных веществ.
- Запрещается использоваться поврежденный или модифицированный прибор. Испорченные либо модифицированные аккумуляторы могут вести себя непредсказуемо, что может вызвать возгорание, взрыв либо риск получения травм.
- Запрещается подвергать прибор воздействию огня либо высокой температуры. При контакте с огнем либо температурой выше 130° С может произойти взрыв.
- Следуйте инструкциям по зарядке и не заряжайте прибор в среда с температурой выше указанной на аккумуляторе во избежание риска возгорания.
- Не поджигайте прибор даже в случае серьезного повреждения. Аккумулятор необходимо утилизировать безопасно. Аккумулятор необходимо извлечь из прибора до контакта с огнем во избежание возгорания.
- В условиях, противоречащих установленным, запрещается прикасаться к аккумулятору, из которого вытекает жидкость. Если контакта не удалось избежать, промойте место контакта водой. В случае попадания аккумуляторной жидкости в глаза, немедленно обратитесь за медицинской помощью. Аккумуляторная жидкость может вызывать раздражение или ожог.
- Убедитесь, что прибор размещен на горизонтальной поверхности. Запрещается использовать прибор в аналогичной позиции, если роликовая щетка или ручка находятся не вертикально. Запрещается хранить прибор в месте с риском заморозки.
- Будьте предельно осторожны во время очистки лестницы.
- Не допускайте непреднамеренных запусков. Перед тем, как поднимать либо переносить прибор убедитесь, что выключатель находится в позиции ВЫКЛ.

Меры предосторожности

Перенос прибора с зажимом выключателя либо во включенном состоянии может привести к несчастным случаям.

- В приборе установлены аккумуляторы, замена которых должна проводиться только квалифицированным персоналом.

НЕ ВЫБРАСЫВАЙТЕ РУКОВОДСТВО ВАЖНЫЕ МЕРЫ ПРЕДОСТОРОЖНОСТИ

- Выполняйте техобслуживание только с помощью квалифицированного техперсонала и используйте только идентичные детали для замены. Это позволит гарантировать безопасность изделия.
- Запрещается модифицировать либо чинить прибор способами, отличными от указанных в руководстве по использованию и уходу.
- Запрещается использовать либо хранить изделие при экстремальной температуре (ниже 0°C и выше 40°C). Выполняйте зарядку беспроводного пылесоса при температуре выше 0°C и ниже 40°C.
- Запрещается пытаться использовать прибор, если он был поврежден, подвергался падениям либо был оставлен на улице, падал в воду либо не работает надлежащим образом. Проводите ремонт в авторизованном сервисном центре.

Данное изделие предназначено только для домашнего использования. Меры предосторожности при хранении и транспортировке:

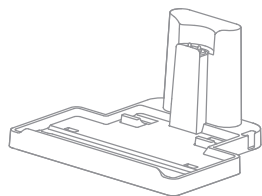
- Не транспортируйте робот-пылесос при температуре выше 50 °C или ниже -20 °C.
- В случае краткосрочного хранения, например одного месяца, пылесос рекомендуется хранить при температуре от -20 °C до 50 °C и относительной влажности 60% ± 5%. В случае длительного хранения пылесос рекомендуется хранить при температуре окружающей среды от 0 °C до 25 °C.
- Утилизируйте пылесос надлежащим образом. По окончании срока службы утилизируйте пылесос в соответствии с местными законами и нормативными актами страны/региона использования. Дату производс ва см. на этикетке со штрих-кодом.

Мы, компания Dreame Trading (Tianjin) Co., Ltd., настоящим заявляем, что данное изделие соответствует требованиям всех действующих директив ЕС и европейских стандартов со всеми изменениями и дополнениями. Полный текст декларации о соответствии нормативным требованиям ЕС доступен по адресу: www.dreame-technology.com

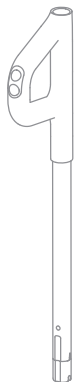
Подробнее электронное руководство см. по адресу

<https://www.dreame-technology.com/pages/user-manuals-and-faqs>

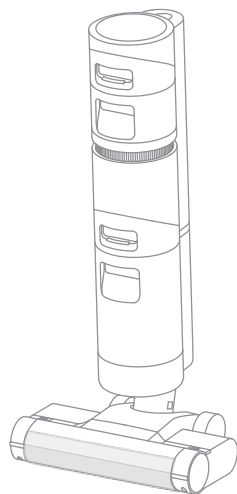
Упаковочный лист



База для зарядки



Ручка



Корпус



Дополнительный
фильтр



Чистящая
щетка



Адаптер
питания

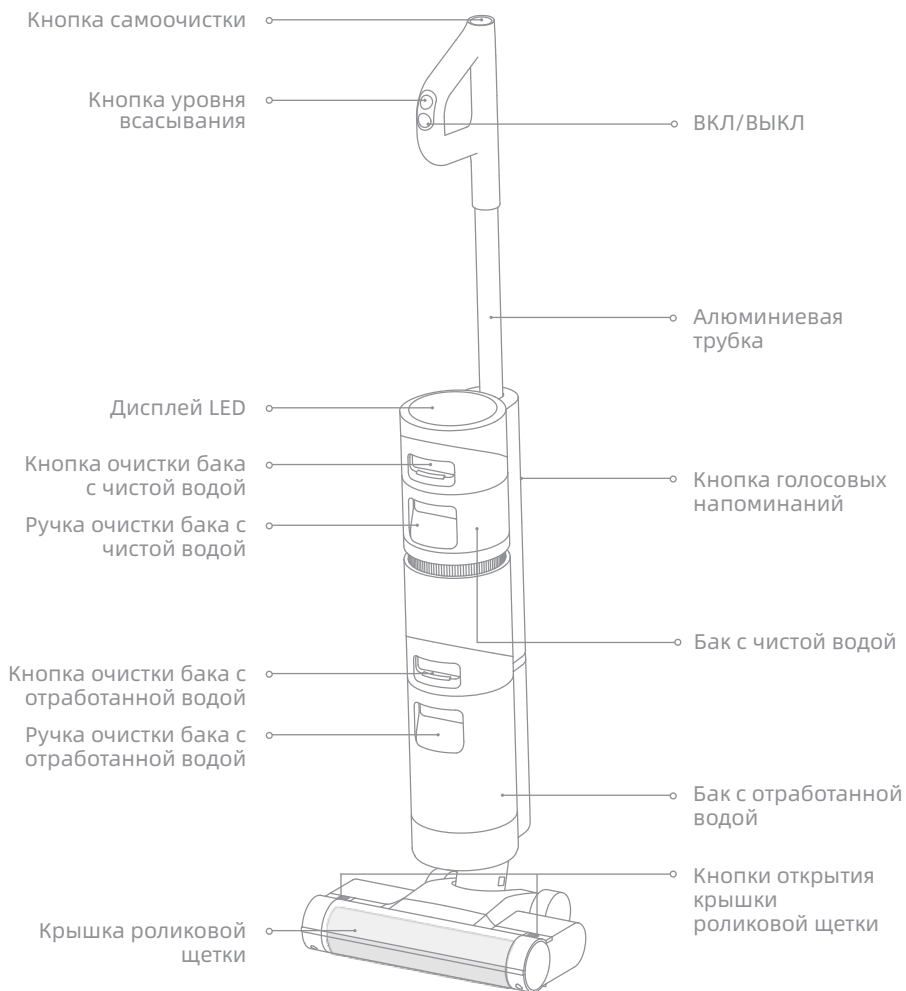


Держатель для
аксессуара

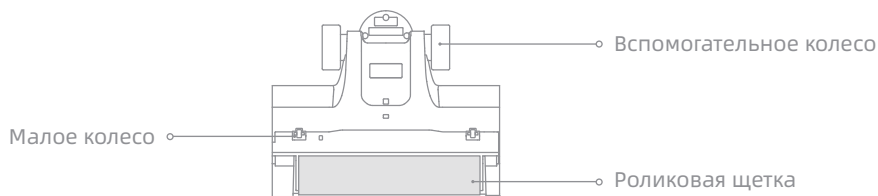
Примечание. Иллюстрации в данной инструкции представлены исключительно в справочных целях. Фактическое изделие может иметь отличия.

Обзор изделия

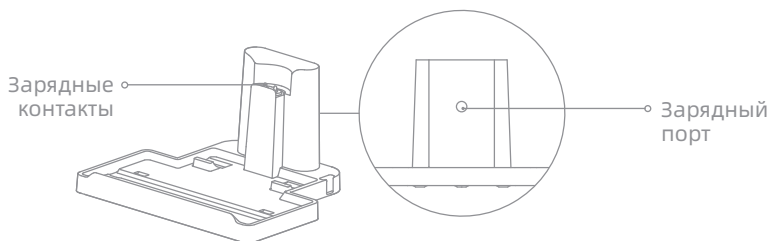
Пылесос



Установка роликовой щетки

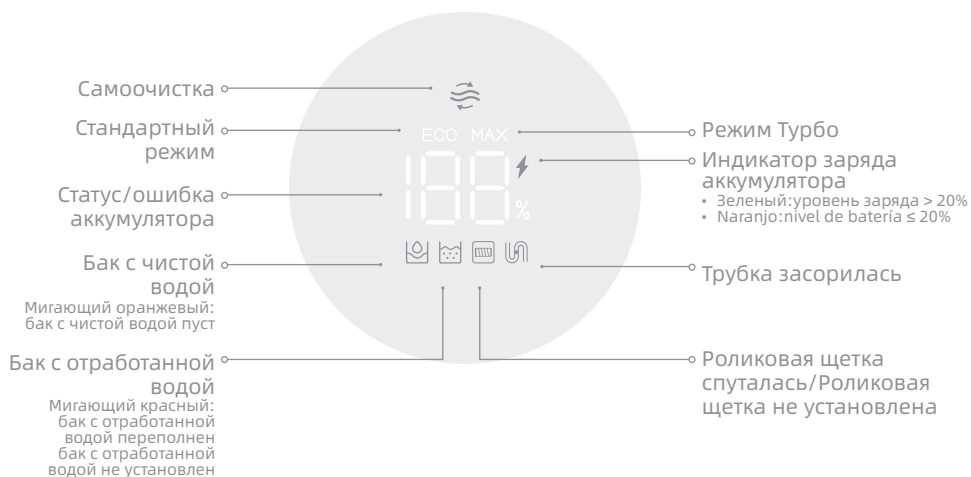


База для зарядки

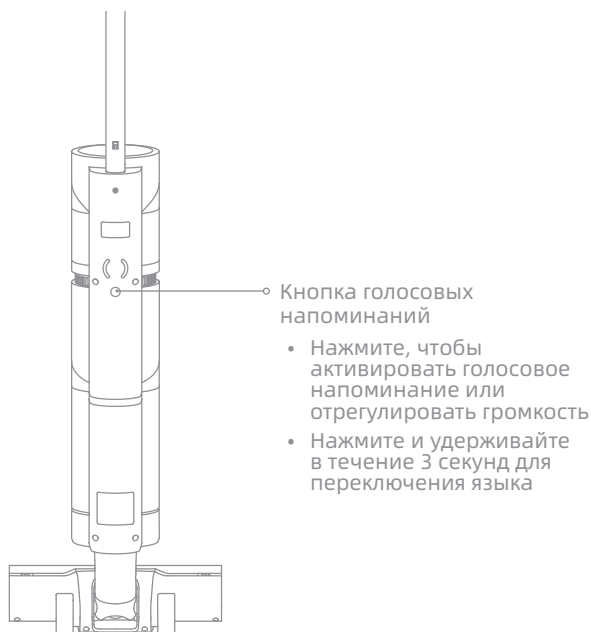


Обзор изделия

Дисплей



Кнопка голосовых напоминаний



Установка базы для зарядки

Установите держатель для аксессуара на базе для зарядке согласно инструкциям.

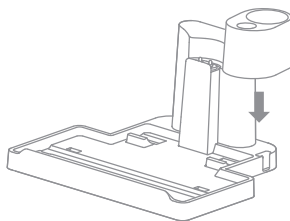
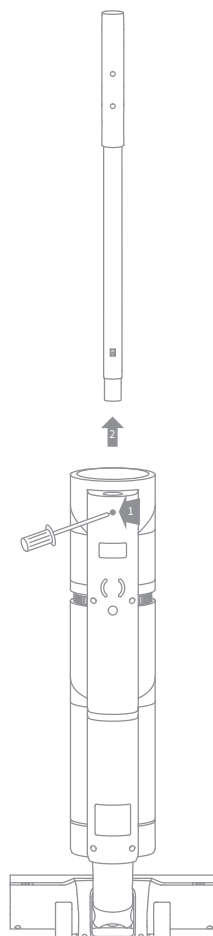


Диаграмма установки пылесоса

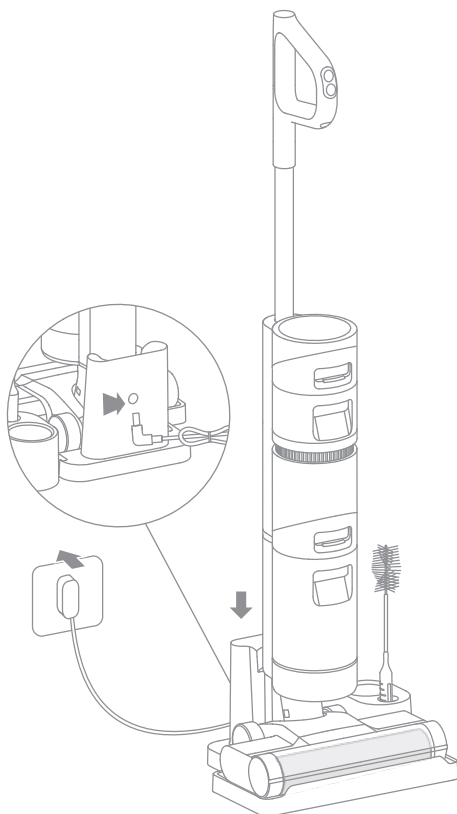
Вставьте конец ручки в порт в верхней части пылесоса вертикально согласно инструкции, пока не раздастся щелчок об окончании установки.

Примечание. Чтобы снять ручку, нажмите на контакт в отверстии задней части пылесоса и одновременно потяните ручку вверх.



Примечание. Перед первым использованием полностью зарядите пылесос.

1. Поместите базу для зарядки на горизонтальной поверхности перпендикулярно стене. Соедините конец адаптера питания с базой для зарядки, а другой конец вставьте в домашнюю розетку.
2. Установите пылесос на базу для зарядки, для отображения статуса зарядки на экране загорится значок ⚡. В процессе зарядки цифра на дисплее показывает текущий уровень заряда аккумулятора в процентах. Цифра 100 означает, что аккумулятор полностью заряжен. После полной зарядки индикатор выключится через 10 секунд.

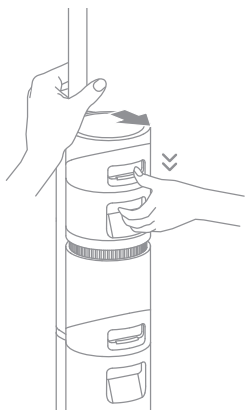


Примечание. После полной зарядки пылесос автоматически переходит в спящий режим, если нерабочее время превышает 15 минут.

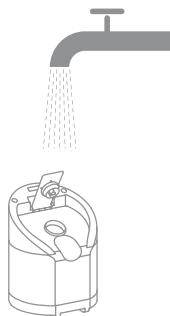
Порядок использования

Заполните бак с чистой водой

1. Нажмите на кнопку бака с чистой водой и потяните бак вперед, чтобы извлечь.



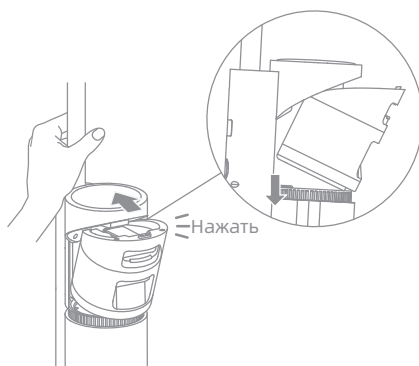
2. Откройте крышку бака и залейте необходимый объем чистой воды.



3. Плотно закройте крышку бака после добавления воды.





4. Установите бак с чистой водой в пылесос до щелчка.

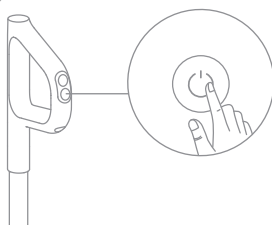


Порядок использования

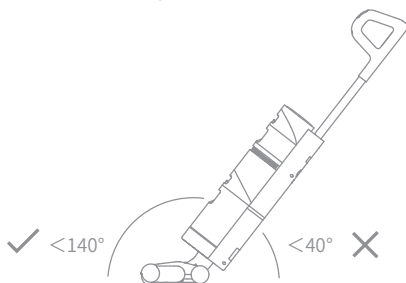
Начало уборки

Пылесос оборудован вертикальным/наклонным переключателем. После включения пылесоса используйте его по требованию.

Быстро нажмите на кнопку , чтобы включить пылесос и начать уборку. Нажмите , чтобы остановить работу.



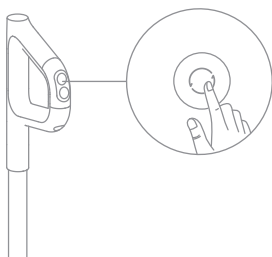
Примечание. Во время работы пылесоса не поднимайте и не опускайте, а также не перемещайте пылесос. Также запрещается наклонять пылесос на одну сторону либо класть его на пол, чтобы отработанная вода не попадала внутрь пылесоса.



Наклоните пылесос на угол более 140° для предотвращения протечки воды.

Переключить уровень всасывания

Пылесос по умолчанию включается в режиме Стандартный. Нажмите кнопку уровня всасывания, чтобы по необходимости войти в режим Турбо.



Обслуживание и ремонт

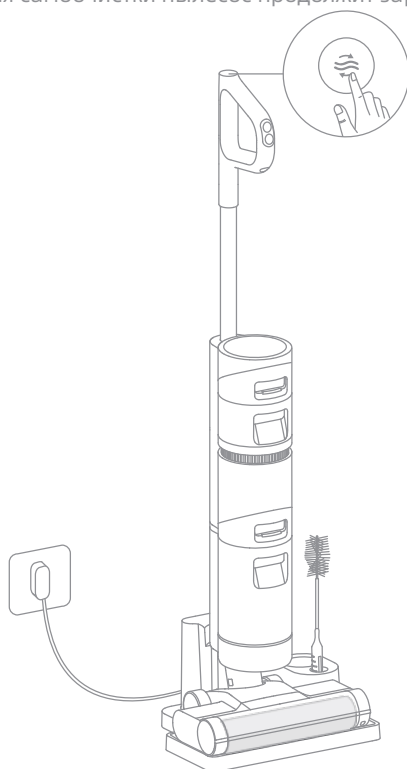
Инструкции:

1. Убедитесь, что пылесос выключен из розетки и не работает.
2. По необходимости может потребоваться заменить компоненты. Используйте компоненты, изготовленные на заводе-изготовителе во избежание повреждения изделия из-за несовместимости.
3. Если пылесос не используется продолжительное время, полностью зарядите его, отключите зарядное устройство и оставьте пылесос на хранение в прохладном месте вдали от солнечных лучей с низкой влажностью. Во избежание глубокой разрядки аккумулятора, проводите зарядку пылесоса минимум один раз в 3 месяца.


Самоочистка в одно нажатие

* Функция самоочистки может быть включена, только если пылесос заряжен и уровень заряда аккумулятора составляет более 10%.

1. Установите пылесос на базу для зарядки в вертикальном положении после выполнения назначенных задач и убедитесь, что бак для чистой воды заполнен.
2. Нажмите на кнопку самоочистки в верхней части ручки. На дисплее загорится индикатор самоочистки и начнется самоочистка.
3. После окончания самоочистки пылесос продолжит зарядку.



Примечание.

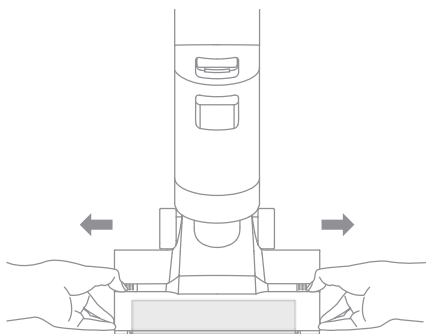
- При необходимости глубокой самоочистки нажмите и удерживайте кнопку , чтобы активировать функцию глубокой самоочистки. Перед этим заполните бак с чистой водой и очистите бак с отработанной водой. Функция может быть активирована, только если пылесос заряжен более чем на 30%.
- После завершения самоочистки своевременно очистите бак для отработанной воды. Также своевременно удалите вевшиеся пятна с базы.

Обслуживание и ремонт

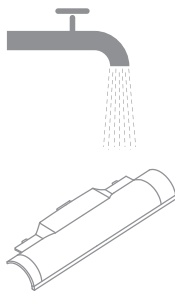
RU

Очистка крышки роликовой щетки * Чистите по мере необходимости.

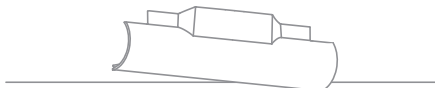
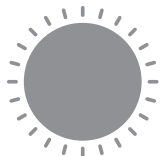
1. Нажмите на кнопки крышки роликовой щетки от себя с обеих сторон, как показано на рисунке, чтобы снять крышку роликовой щетки.



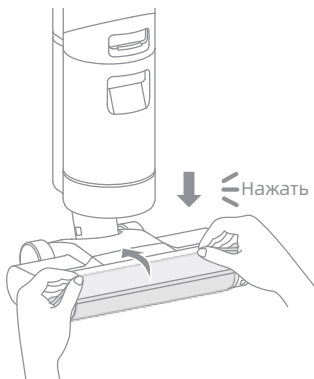
2. Промойте крышку чистой водой до полной чистоты.



3. Перед использованием тщательно просушите крышку.



4. Расположите крышку щетки напротив правой полости пылесоса и нажмите на крышку щетки до щелчка.

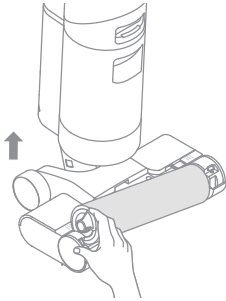


Обслуживание и ремонт

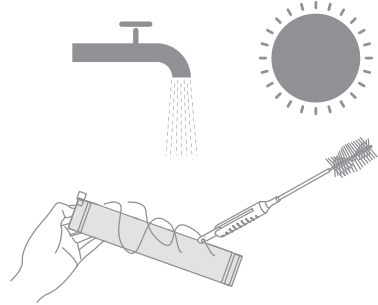
Очистка роликовой щетки

* Очищайте по мере необходимости. Рекомендуется выполнять замену каждые 3-6 месяцев.

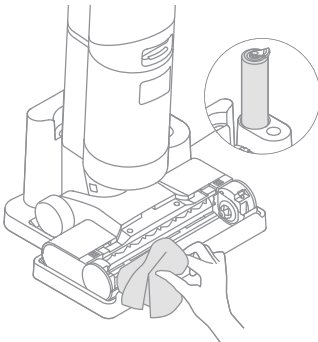
1. Потяните ручку роликовой щетки слева и вытащите щетку.



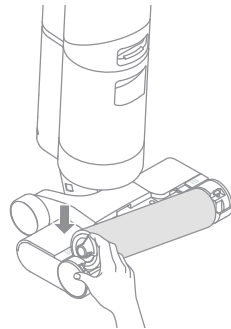
2. Удалите волосы и загрязнения с роликовой щетки с помощью чистящей щетки в комплекте и промойте щетку чистой водой. Перед использованием необходимо тщательно просушить роликовую щетку.



3. Очистите пыль из отверстия для пыли с помощью сухой тряпки или бумажного полотенца. Запрещается промывать отверстие водой.



4. После окончания очистки поднесите правый конец роликовой щетки к правому пазу пылесоса и вставьте левый конец щетки в левый паз пылесоса до щелчка.

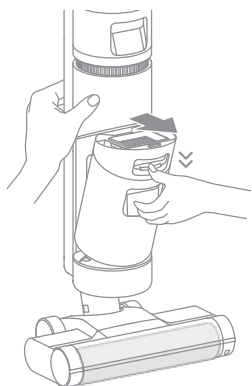


Обслуживание и ремонт

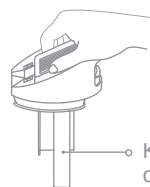
Очистка бака с отработанной водой

* Рекомендуется удалять отработанную воду из бака перед каждым использованием, а также до и после включения функции самоочистки.

1. Нажмите на кнопку бака для отработанной воды и извлеките его согласно инструкциям.



2. Придерживайте одной рукой бак, а другой рукой потяните крышку вверх. Вылейте отработанную воду.



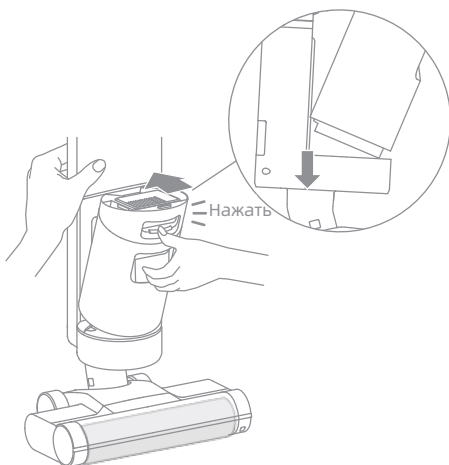
Крышка бака с отработанной водой



3. Промойте бак и крышку чистой водой. Для очистки внутренней поверхности бака используйте чистящую щетку в комплекте.



4. После завершения очистки закройте крышку бака, наведите дно бака к подставке пылесоса и аккуратно вставьте бак до щелчка, который означает, что бак установлен.



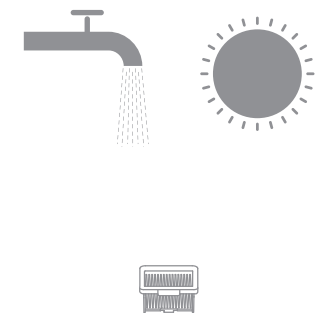
Обслуживание и ремонт

Очистка фильтра * Рекомендуется очищать после каждого использования и выполнять замену каждые 3-6 месяцев.

1. Извлеките фильтр из верхней части бака с отработанной жидкостью.

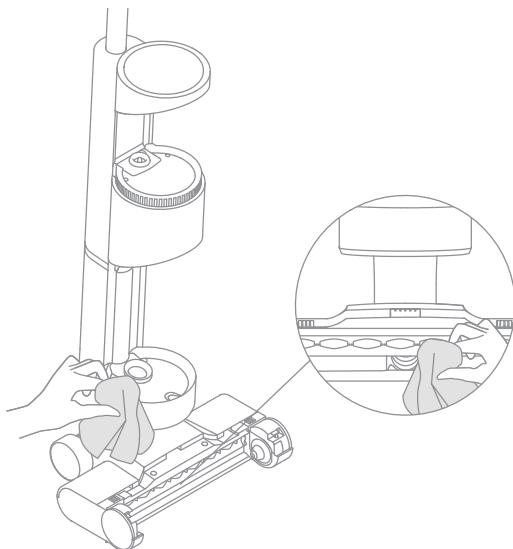


2. Промойте фильтр чистой водой. Тщательно просушите его перед установкой обратно.



Очистка трубки

Извлеките бак для отработанной водой, протрите его влажным полотенцем, чтобы очистить трубку от загрязнений перед использованием.







Ошибка	Возможная причина	Решение
Пылесос не работает.	Ручка не установлена на место.	Установите ручку повторно.
	Пылесос разряжен или уровень заряда низкий.	Полностью зарядите пылесос прежде чем продолжать использовать.
	Пылесос расположен вертикально.	Наклоните пылесос.
	Роликовая щетка установлена некорректно либо заблокирована.	Повторно установите или прочистите роликовую щетку.
	Бак с отработанной водой установлен некорректно.	Повторно установите бак с отработанной водой.
	Бак с отработанной водой переполнен.	Очистите бак с отработанной водой.
Слабая сила всасывания.	Фильтр засорился.	Очистите фильтр.
	Крышка роликовой щетки, фильтр и бак с чистой водой установлены некорректно.	Перед использованием убедитесь, что все компоненты установлены.
	В роликовой щетке запутались волосы.	См. раздел [Очистка роликовой щетки] данного руководства.
	В трубке присутствуют посторонние предметы либо трубка засорилась.	Очистка трубки.
Двигатель издает странный шум.	В баке с отработанной водой скопилось слишком много грязной жидкости.	Очистите бак с отработанной водой.
	Основное отверстие всасывания засорилось.	Удалите предметы, блокирующие основное отверстие всасывания.
Во время зарядки индикатор статуса аккумулятора не загорается.	Адаптер питания не включен в электрическую розетку.	Убедитесь, что адаптер питания корректно включен в розетку.

Ошибка	Возможная причина	Решение
Во время зарядки индикатор статуса аккумулятора не загорается.	Адаптер питания подключен к базе для зарядки некорректно.	Подключите корректно.
	База для зарядки подключена к пылесосу некорректно.	Убедитесь, что пылесос на месте.
Из робота не подается вода.	Бак с чистой водой установлен некорректно либо бак пустой.	Повторно установите либо наполните бак с чистой водой.
Вода вытекает из бака для отработанной воды.	Из-за удара или резкого движения вода попала в двигатель.	Когда пылесос выключится перемещайте его аккуратными движениями.
	После очистки фильтр был просушен не полностью.	Перед использованием тщательно просушите фильтр.
Сбой самоочистки.	Крупные частицы блокируют роликовую щетку.	Откройте крышку щетки, проверьте и очистите ее.
	Пылесос не заряжается.	Перед активацией функции самоочистки убедитесь, что пылесос заряжен.
	Функция самоочистки не может быть включена, если уровень заряда аккумулятора ниже 10%.	Функция самоочистки может быть включена, только если пылесос заряжен и уровень заряда аккумулятора составляет более 10%.
	Бак с отработанной водой не установлен на место или переполнен.	Переустановите бак с отработанной водой или удалите воду.
	Бак с чистой водой установлен некорректно либо бак пустой.	Повторно установите или наполните бак с чистой водой.

Устранение неисправностей

Если пылесос работает некорректно, на дисплее отобразится сообщение об ошибке. См. таблицу устранения неисправностей для поиска решения.

Значок ошибки	Возможная причина	Решение
	Бак с чистой водой пуст	Наполните бак с чистой водой.
	Бак с отработанной водой не установлен	Установите бак с отработанной водой.
	Бак с отработанной водой переполнен	Очистите бак с отработанной водой.
	Роликовая щетка заблокирована	Очистите роликовую щетку с помощью чистящей щетки в комплекте.
	Роликовая щетка не установлена	Установите роликовую щетку.
	Трубка засорилась	Проверьте наличие засорения фильтра.
		См. раздел [Очистка трубки] данного руководства.

Код устранения неисправностей	Возможная причина	Решение
E1/EE/EF	Ошибка двигателя	Свяжитесь со службой поддержки.
E2/E3/E7/E8/E9	Ошибка аккумулятора	Свяжитесь со службой поддержки.
E4/E5	Несовместимость адаптера питания	Используйте оригинальный адаптер питания или свяжитесь со службой поддержки.
E6	Перегрев аккумулятора	Подождите, пока температура аккумулятора вернется в нормальное состояние и продолжите использовать пылесос.

Пылесос			
Модель	VWV7	Время зарядки	Ок. 3 часов
Номинальное напряжение	21,6 V ---	Зарядное напряжение	26 V ---
Номинальная мощность	170 W	Расчетная мощность	2300 mAh
Номинальная мощность	2500 mAh	Объем бака с отработанной водой	500 mL
Объем бака с чистой водой	900 mL		
Адаптер питания			
Модель	YLS0251B-E260090 (EU) / YLS0251A-A260090 (AU)	Средний КПД в активном состоянии	87,28%
Вход	100-240 V ~ 50/60 Hz 0,8 A Max	КПД при низкой нагрузке (10%)	79,74%
Выход	26 V --- 0,9 A	Энергопотребление без нагрузки	0,08 W

- Данное устройство содержит аккумуляторы, которые должны заменять только квалифицированные специалисты или специалисты сервисного отдела
- Данное устройство содержит несменный аккумулятор.
- Данный прибор содержит зарядный литий-ионный аккумулятор, который после выхода из строя становится опасным для окружающей среды. Перед тем, как выбросить прибор, извлеките аккумулятор согласно инструкциям и утилизируйте надлежащим образом:
 - Перед извлечением аккумулятора отключите его от источника питания, предварительно по возможности израсходовав заряд аккумулятора полностью. Затем открутите крепежный винт на нижней крышке устройства и снимите крышку.
 - Отключите соединительные провода и извлеките аккумулятор. Обратите внимание, что во избежание потенциальных угроз запрещается нарушать целостность аккумулятора.
 - Сдайте аккумулятор в профессиональную перерабатывающую организацию для утилизации.

Информация об утилизации и переработке отходов электрического и электронного оборудования



Все изделия с символом раздельного сбора отработанного электрического и электронного оборудования (Директива WEEE 2012/19/EU) следует утилизировать отдельно от несортируемых бытовых отходов. С целью охраны здоровья и защиты окружающей среды такое оборудование необходимо сдавать на переработку в специальные пункты приема электрического и электронного оборудования, определенные правительством или

местными органами власти. Правильная утилизация и переработка помогут предотвратить возможные негативные последствия для окружающей среды и здоровья человека. Для получения информации о местонахождении и порядке приема устройств в пунктах приема обратитесь в компанию, занимающуюся установкой оборудования, или в местные органы власти.

Ważne instrukcje dot. bezpieczeństwa Wyłącznie do użytku domowego

- Podczas korzystania z urządzenia elektrycznego należy zawsze przestrzegać podstawowych środków ostrożności, w tym:
- PRZED UŻYCIEM (TEGO URZĄDZENIA) NALEŻY ZAPOZNAĆ SIĘ ZE WSZYSTKIMI INSTRUKCJAMI. Nieprzestrzeganie ostrzeżeń i instrukcji może spowodować porażenie prądem elektrycznym, pożar i/lub poważne obrażenia ciała.

OSTRZEŻENIE- Aby zmniejszyć ryzyko pożaru, porażenia elektrycznego lub obrażeń:

- Należy używać tylko w sposób opisany w niniejszej instrukcji obsługi. Należy używać części wyłącznie zalecanych przez producenta.
- Wyłącznie do użytku wewnątrz pomieszczeń, na powierzchniach podłogowych, takich jak: winyl, płytki, uszczelnione drewno itp. Należy uważać, aby nie przejechać przez luźne przedmioty lub krawędzie dywanów. Wstrzymanie szczotki może spowodować przedwczesną awarię pasa.
- Nie należy używać jako zabawki. Szczególną uwagę należy zwrócić, podczas użytkowania przez lub w pobliżu dzieci, zwierząt domowych lub roślin.
- Do czyszczenia podłogi nie należy używać łatwopalnych lub palnych cieczy./Nie używać do czyszczenia łatwopalnych lub palnych cieczy, takich jak benzyna, ani używać w miejscach, w których mogą być obecne.
- Do ładowania akumulatora należy używać wyłącznie dołączanego zasilacza dostarczonego z tym urządzeniem. Używać tylko z YLS0251B-E260090 (EU) / YLS0251A-A260090 (AU) jednostką zasilającą.
- Należy naładować odkurzacz wyłącznie ładowarką określoną przez producenta. Ładowarka odpowiednia dla jednego typu akumulatora może stwarzać ryzyko pożaru w przypadku użycia z innym akumulatorem.
- Nie należy zanurzać odkurzacza w cieczy. Należy używać wyłącznie na powierzchniach wilgotnych poprzez proces czyszczenia.
- Ten produkt może być używany przez dzieci w wieku powyżej 8 lat oraz osoby z ograniczeniami fizycznymi, sensorycznymi, intelektualnymi lub ograniczonym doświadczeniem/wiedzą pod nadzorem rodzica lub opiekuna w celu zapewnienia bezpiecznej pracy i uniknięcia ryzyka zagrożeń. Pielęgnacja i konserwacja nie mogą być dokonywane przez dzieci bez nadzoru.
- Folia z tworzywa sztucznego może być niebezpieczna. Aby uniknąć niebezpieczeństwa uduszenia, trzymać z dala od dzieci.
- Włosy, luźne ubrania, palce i inne części ciała należy trzymać z daleka od otworów ssących i części ruchomych odkurzacza i jego akcesoriów.
- Należy używać wyłącznie rodzaj i ilość płynu określoną w sekcji operacyjnej niniejszej instrukcji. Ciecze nie mogą być skierowane na urządzenia zawierające elementy elektryczne.
- Nie wkładać żadnych przedmiotów do otworów ssących. Nie używać odkurzacza, gdy którykolwiek z otworów ssących jest zablokowany; Unikać kurzu, kłaczek, włosów i wszystkiego, co może zmniejszyć przepływ powietrza.

Informacje dot. bezpieczeństwa

- Nie należy używać bez prawidłowo zamontowanych filtrów.
- Nie należy używać odkurzacza z uszkodzonym przewodem zasilającym lub wtyczką. Jeżeli przewód lub wtyczka jest uszkodzona, musi być wymieniona przez producenta, jego agenta serwisowego lub osoby posiadające kwalifikacje w celu uniknięcia zagrożenia.
- Nie należy używać odkurzacza do czyszczenia łatwopalnych lub palnych cieczy, takich jak ropa naftowa, ani nie używać odkurzacza w miejscach, w których mogą być one obecne.
- Nie należy czyścić toksycznych materiałów (wybielacz, amoniak, środek czyszczący do kanalizacji itp.). Nie należy czyścić twardych ani ostrych przedmiotów, takich jak: szkło, gwoździe, śruby, monety, itp.
- Nie należy używać urządzenia w zamkniętym pomieszczeniu wypełnionym oparami farby olejnej, rozpuszczalnikiem, niektórymi substancjami zabezpieczającymi przez ćmami, łatwopalnymi pyłami lub innymi wybuchowymi lub toksycznymi oparami. Nie należy czyścić niczego, co się pali lub dymi, na przykład: papierosy, zapalki lub gorący popiół.
- Nie należy ładować urządzenia na zewnątrz. Nie należy ładować ponownie, demontować, nagrzewać do temperatury powyżej 60° C lub podpalać.
- Zaciski wyjściowe podstawy ładowającej nie powinny być zwarte. Nie używać z uszkodzonym przewodem lub ładowarką. Jeśli urządzenie zostało upuszczone, uszkodzone, pozostawione na zewnątrz, wpadło do wody lub nie działa tak, jak powinno, należy zwrócić je do centrum serwisowego.
- Należy trzymać przewód zasilający z dala od ogrzewanych powierzchni. Nie należy obsługiwać wtyczki ładowarki ani urządzenia mokrymi rękami. Aby odłączyć, należy chwycić wtyczkę ładowarki, a nie przewód zasilający.
- Nie ciągnąć ani nie przenosić zasilacza za pomocą przewodu zasilającego. Nie używać przewodu, jako uchwytu, nie zamykać drzwi za pomocą przewodu ani nie obkręcać przewodu wokół ostrych krawędzi lub narożników.
- Należy wyłączyć urządzenie, jeśli nie jest używane, przed czyszczeniem, konserwacją lub serwisowaniem oraz przed montażem i demontażem urządzenia z ruchomą szczotką.
- Urządzenie musi być odłączone od źródła zasilania podczas wyjmowania akumulatora. Baterie należy przechowywać z dala od zasięgu dzieci. Nigdy nie należy wkładać baterii do ust. W przypadku połknięcia należy skontaktować się z lekarzem lub miejscową kontrolą zatruć.
- Nie używać urządzenia, które jest uszkodzone lub zmodyfikowane. Uszkodzone lub zmodyfikowane baterie mogą wykazywać nieprzewidywalne zachowanie powodujące pożar, wybuch lub ryzyko obrażeń.
- Nie należy wystawiać urządzenia na działanie ognia lub nadmiernej temperatury. Narażenie na ogień lub temperaturę powyżej 130° C może spowodować wybuch.
- Należy przestrzegać wszystkich instrukcji ładowania i nie ładować urządzenia poza zakresem określonych temperatur zwiększając tym samym ryzyko pożaru.
- Nie podpalać urządzenia, nawet jeśli jest poważnie uszkodzone. Akumulator należy bezpiecznie wyjąć z urządzenia przed jego złomowaniem, aby uniknąć wybuchu w trakcie pożaru.

Informacje dot. bezpieczeństwa

- W warunkach nadużyć nigdy nie należy doprowadzać do bezpośredniego kontaktu z baterią, z której wycieka płyn. W razie przypadkowego kontaktu należy opłukać ciało wodą. Jeśli płyn dostanie się do oczu, należy natychmiast udać się po pomoc medyczną. Płyn z akumulatora może powodować podrażnienia lub oparzenia.
- Należy upewnić się, że urządzenie jest umieszczone na poziomej powierzchni. Nie używać urządzenia w tej samej pozycji, jeśli urządzenie jest wyposażone w szczotkę rolkową, a uchwyt nie jest całkowicie pionowy. Nie przechowywać urządzenia w miejscu, w którym może zamarznąć.
- Należy zachować szczególną ostrożność podczas czyszczenia schodów.
- Należy zapobiegać niezamierzonemu uruchamianiu urządzenia. Przed podniesieniem lub przeniesieniem urządzenia należy upewnić się, że przełącznik zasilania znajduje się w pozycji OFF. Noszenie urządzenia z palcem na przełączniku lub urządzeniu energetyzującym, które ma włączony przełącznik zasilania, prowadzi do wypadków.
- To urządzenie zawiera baterie, które mogą być wymieniane tylko przez wykwalifikowane osoby.

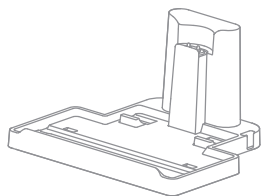
ZACHOWAJ TĘ INSTRUKCJĘ WAŻNE ZABEZPIECZENIA

- Serwis naprawczy powinien być wykonywany wyłącznie przez wykwalifikowaną osobę używającą tylko identycznych części zamiennych. Zapewni to utrzymanie bezpieczeństwa produktu.
- Nie należy modyfikować ani podejmować prób naprawy urządzenia, z wyjątkiem przypadków wskazanych w instrukcjach Pielęgnacji i Konserwacji
- Nie należy używać i przechowywać w bardzo gorących lub zimnych środowiskach (poniżej 0° C / 32° F lub powyżej 40° C / 104° F). Odkurzacz bezprzewodowy należy ładować w temperaturze powyżej 0° C / 32° F i poniżej 40° C / 104° F).
- Jeśli urządzenie zostało upuszczone, uszkodzone, pozostawione na zewnątrz, wrzucone do wody lub nie działa tak, jak powinno, nigdy nie należy go ponownie obsługiwać. Należy niezwłocznie udać się do autoryzowanego centrum serwisowego w celach naprawczych.

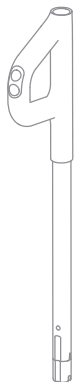
My, Dreame Trading (Tianjin) Co. Ltd., niniejszym oświadczamy, że sprzęt ten jest zgodny z obowiązującymi dyrektywami i normami europejskimi oraz ich poprawkami. Pełny tekst deklaracji zgodności UE jest dostępny pod następującym adresem internetowym: www.dreame-technology.com

Szczegółową elektroniczną instrukcję obsługi można znaleźć na stronie <https://www.dreame-technology.com/pages/user-manuals-and-faq>

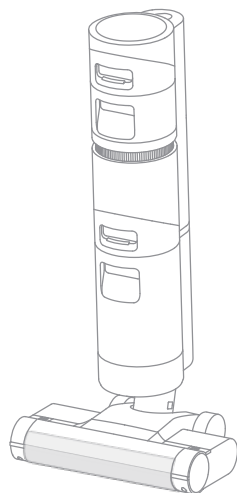
Lista opakowania



Ładowanie podstawy ładującej



Części uchwytu



Korpus główny



Zapasowy filtr



Ściotka czyszcząca



Zasilacz

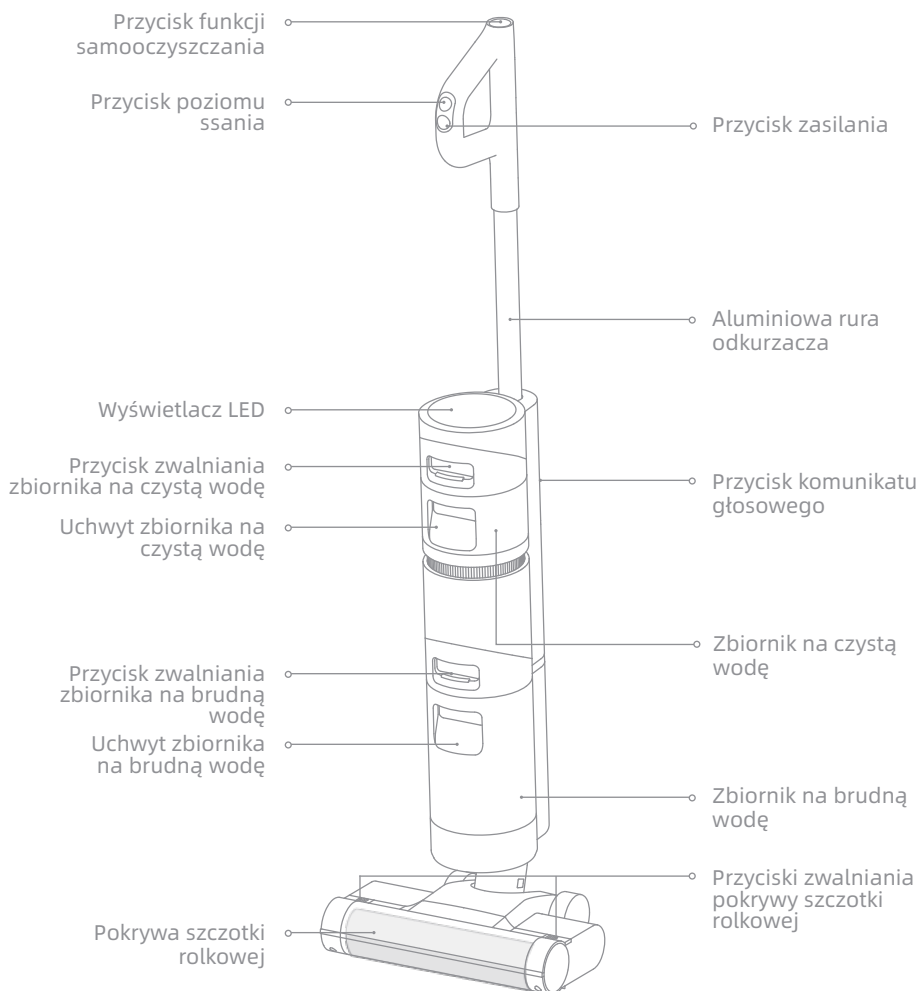


Uchwyt mocujący

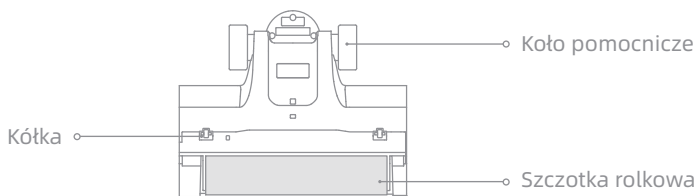
Uwaga: Ilustracje zawarte w niniejszej instrukcji mają charakter poglądowy. Rzeczywisty wygląd produktu może się różnić. Należy zapoznać się z rzeczywistym produktem.

Opis produktu

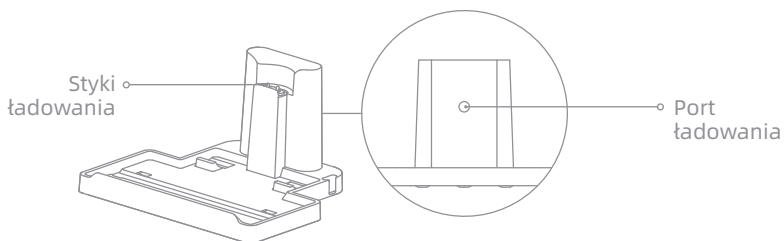
Odkurzacz



Części szczotki rolkowej

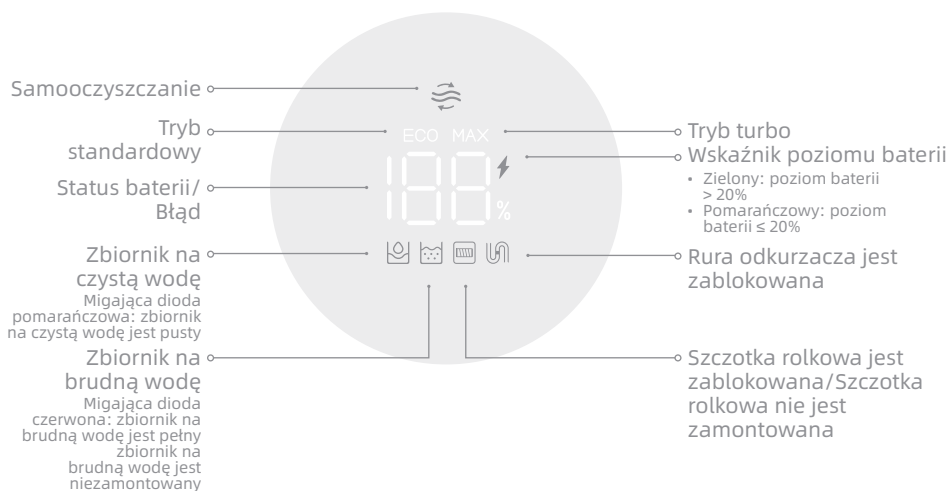


Podstawa ładowująca

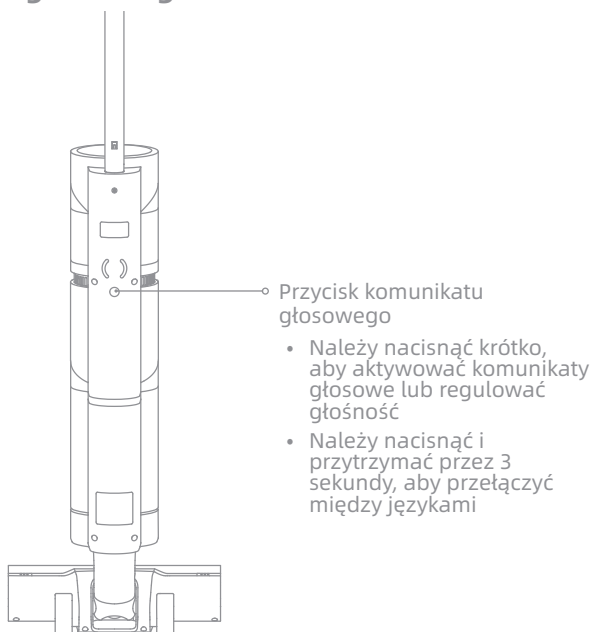


Opis produktu

Ekran wyświetlacza

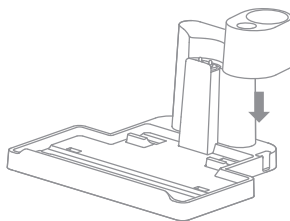


Przycisk komunikatu głosowego



Montowanie podstawy ładującej

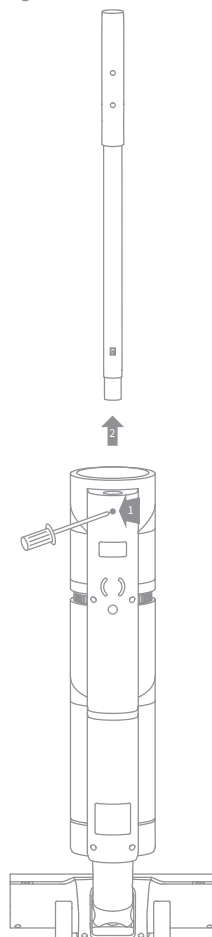
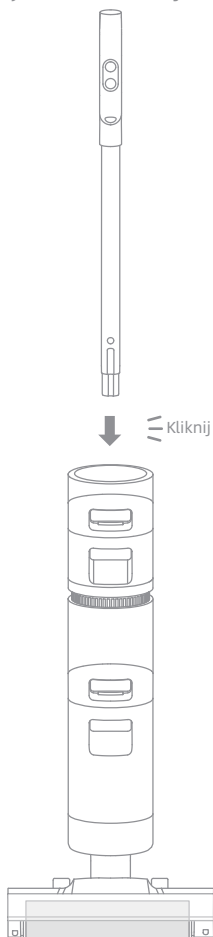
Należy zamontować uchwyt mocujący na podstawie ładującej, jak pokazano na rysunku.



Schemat ładowania odkurzacza

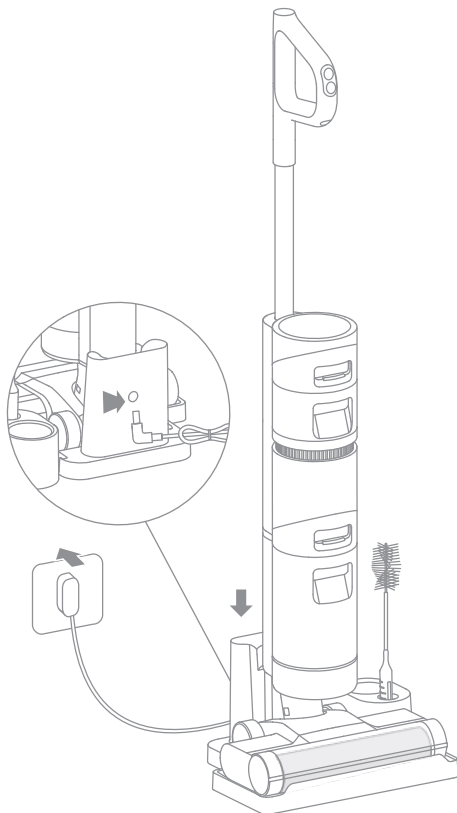
Należy włożyć koniec części uchwytu pionowo do portu w górnej części odkurzacza, w kierunku wskazanych na rysunku. Montaż zostanie zakończony po usłyszeniu odgłosu kliknięcia.

Uwaga: W przypadku demontażu należy użyć twardego przedmiotu, aby wcisnąć styk w dziurze z tyłu odkurzacza, jednocześnie ciągnąc uchwyt ku górze.



Uwaga: Należy naładować odkurzacz w pełni przed pierwszym użyciem.

1. Należy umieścić podstawę ładującą na płaskim podłożu przy ścianie. Następnie należy podłączyć jeden koniec zasilacza z podstawą ładującą a drugi z gniazdkiem elektrycznym.
2. Należy umieścić odkurzacz na podstawie ładującej. Na wyświetlaczu pojawi się ikona ⚡ sygnalizującą status ładowania. Numer na wyświetlaczu reprezentuje obecny poziom baterii w procentach podczas ładowania. 100% oznacza w pełni naładowany odkurzacz. Po naładowaniu odkurzacza w pełni ikona ⚡ zniknie, a wyświetlacz wyłączy się po 10 sekundach bezczynności.

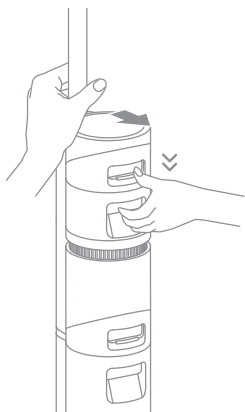


Uwaga: Po 15 minutach bezczynności w pełni naładowany odkurzacz przejdzie w stan uśpienia.

Sposób użytkowania

Należy napętnić zbiornik na czystą wodę

1. Należy przycisnąć przycisk zwalniania zbiornika na czystą wodę i pociągnąć zbiornik na zewnątrz, aby go zdemontować.



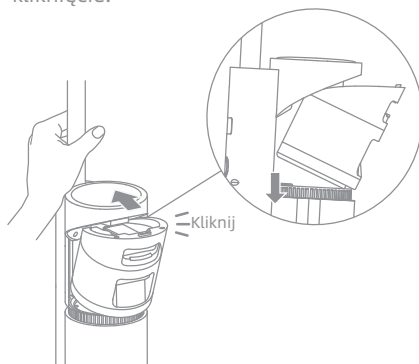
2. Należy otworzyć pokrywę zbiornika i wlać wystarczającą ilość wody do zbiornika na czystą wodę.



3. Należy zamknąć szczelnie pokrywę zbiornika na wodę.



4. Należy zamontować zbiornik na wodę do odkurzacza, aż słyszalne będzie kliknięcie.

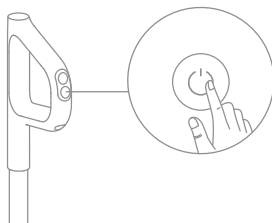


Sposób użytkowania

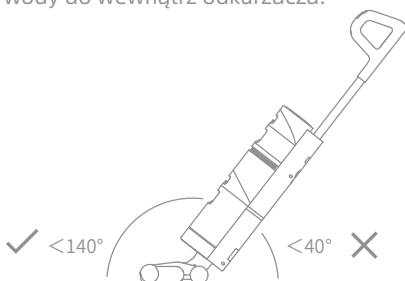
Rozpoczęcie czyszczenia

Odkurzacz wyposażony jest w przełącznik pionowy/pochylenia. Należy przechylić i używać go po włączeniu.

Krótkie naciśnięcie  rozpocznie pracę odkurzacza. Ponownie naciśnięcie  spowoduje zatrzymanie pracy odkurzacza.



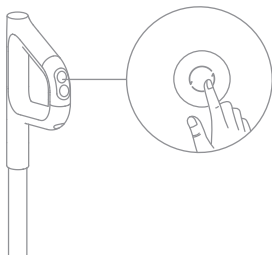
Uwaga: Podczas pracy odkurzacza nie należy podnosić go w górę/dół, nie przenosić, nie potrząsać odkurzaczem na boki ani kłaść płasko, aby zapobiec wyciekowi brudnej wody do wewnątrz odkurzacza.



Nie należy przechylać odkurzacza o więcej niż 140° , aby uniknąć wycieku wody.

Przełącznik poziomu ssania

Domyślnym ustawieniem odkurzacza jest tryb standardowy. Zależnie od rzeczywistych potrzeb użytkownika, można nacisnąć przycisk poziomu ssania, aby wprowadzić odkurzacz w tryb turbo.



Pielęgnacja i konserwacja

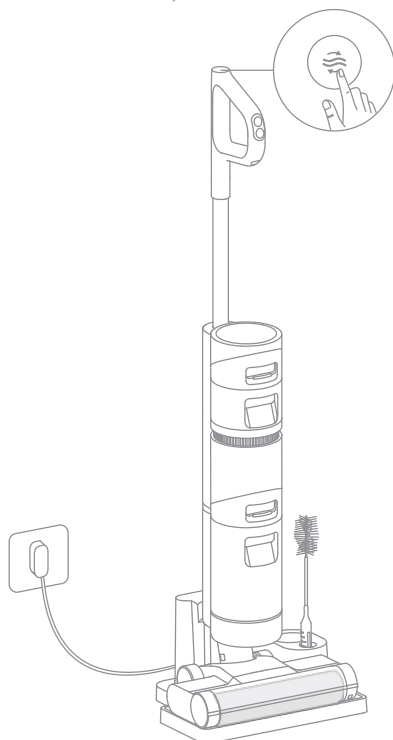
Wskazówki:

1. Należy upewnić się, że odkurzacz jest odłączony od zasilania i nie pracuje.
2. Części muszą zostać wymienione, jeśli zajdzie taka konieczność. Należy używać wyłącznie oryginalnych części, aby uniknąć uszkodzenia produktu z powodu nieprzydatności.
3. Jeśli odkurzacz nie jest używany przez dłuższy czas należy go w pełni naładować, odłączyć zasilacz i przechowywać odkurzacz w chłodnym miejscu o niskiej wilgotności, z dala od bezpośredniego światła słonecznego. Aby uniknąć nadmiernego rozładowania baterii należy ładować odkurzacz co najmniej raz na 3 miesiące.


Samooczyszczanie za pomocą jednego kliknięcia

* Funkcję samooczyszczania można włączyć tylko wtedy, gdy odkurzacz jest naładowany, a poziom baterii jest większy niż 10%.

1. Po wyznaczonych zadaniach czyszczenia należy umieścić odkurzacz pionowo na podstawie ładującej i upewnić się, że zbiornik na czystą wodę jest pełny.
2. Należy nacisnąć krótko przycisk samooczyszczania na górnej części uchwytu. Kiedy wskaźnik samooczyszczania zaświeci się na ekranie, samooczyszczanie się rozpocznie.
3. Odkurzacz rozpocznie ładowanie po skończeniu samooczyszczania.



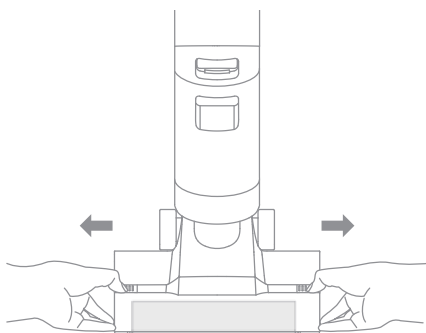
Uwaga:

- Jeśli potrzebne jest dogłębne samooczyszczanie, należy nacisnąć i przytrzymać przycisk , aby aktywować funkcję dogłębnego samooczyszczania. Przed aktywowaniem, należy napełnić zbiornik na czystą wodę i opróżnić zbiornik na brudną wodę. Ta funkcja może zostać aktywowana wyłącznie, jeśli odkurzacz jest naładowany, a poziom baterii jest większy niż 30%.
- Po zakończeniu samooczyszczania, należy niezwłocznie opróżnić zbiornik na brudną wodę. Jeśli na podstawie ładującej znajdują się pozostałości, należy niezwłocznie wyczyścić podstawę ładującą.

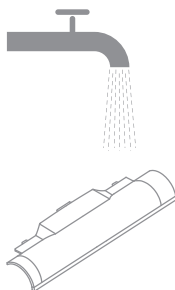
Pielęgnacja i konserwacja

Czyszczenie pokrywy szczotki rolkowej * Wyczyścić w razie potrzeby.

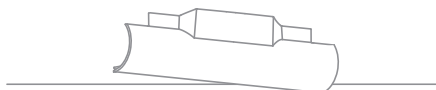
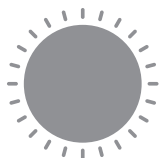
1. Aby usunąć pokrywę szczotki rolkowej należy nacisnąć przyciski zwalniania pokrywy szczotki rolkowej po obu stronach na zewnątrz tak, jak pokazano na rysunku.



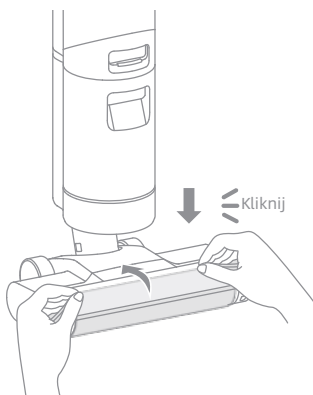
2. Należy opłukać wodą pokrywę szczotki rolkowej, aż będzie ona całkowicie czysta.



3. Pokrywa musi zostać całkowicie osuszona przed ponownym użyciem.



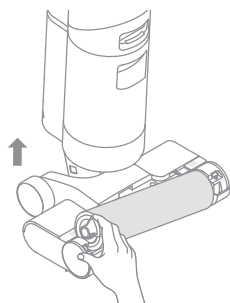
4. Należy wyrównać pokrywę szczotki z prawym otworem i wcisnąć pokrywę szczotki z powrotem, aż słyszalne będzie kliknięcie.



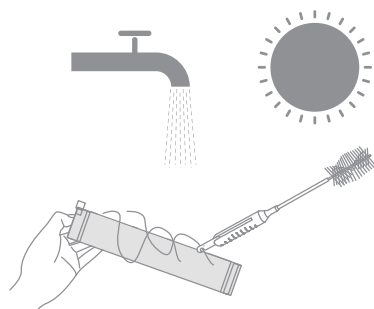
Pielęgnacja i konserwacja

Czyszczenie szczotki rolkowej * Wyczyścić w razie potrzeby. Zaleca się wymianę raz na 3 do 6 miesięcy.

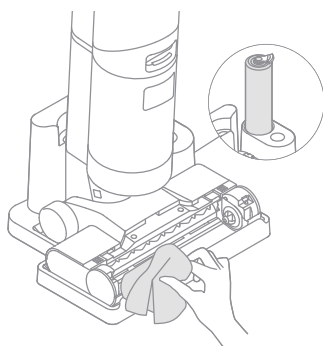
1. Należy pociągnąć lewy uchwyt szczotki rolkowej i wyjąć ją.



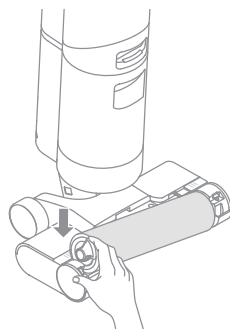
2. Przy użyciu dołączonej szczotki czyszczącej należy usunąć wszelkie włosy i inne zanieczyszczenia znajdujące się na szczotce rolkowej, a następnie optukać ją wodą. Szczotka rolkowa musi zostać całkowicie osuszona przed ponownym użyciem.



3. Należy wytrzeć kurz z wlotu kurzu za pomocą suchej szmatki lub papieru kuchennego. Nigdy nie należy optukiwać go wodą.



4. Po zakończeniu czyszczenia należy wyrównać prawy koniec szczotki rolkowej z prawym otworem odkurzacza i wsunąć lewy koniec szczotki rolkowej z lewym otworem odkurzacza, aż słyszalne będzie kliknięcie.



Pielęgnacja i konserwacja

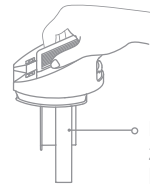
Czyszczenie zbiornika na brudną wodę

* Zaleca się opróżnianie zbiornika na brudną wodę po każdym użyciu oraz przed i po włączeniu funkcji samooczyszczania.

1. Należy nacisnąć przycisk zwalniania zbiornika na brudną wodę i pociągnąć go tak, jak pokazano.



2. Należy przytrzymać zbiornik jedną ręką i podciągnąć pokrywę zbiornika drugą ręką. Następnie należy wylać brudną wodę.



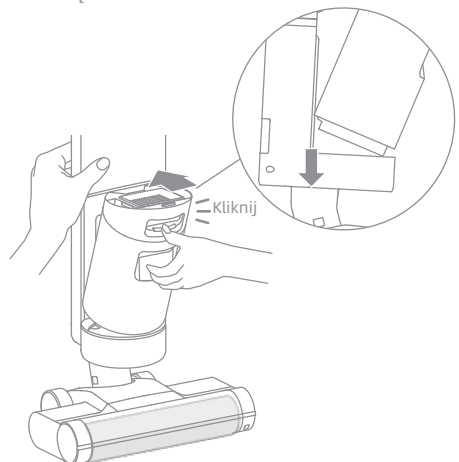
Pokrywa
zbiornika na
brudną wodę



3. Należy optukać czystą wodą zbiornik oraz pokrywę zbiornika. Dołączona szczotka czyszcząca może zostać użyta do czyszczenia ściany wewnętrznej zbiornika.



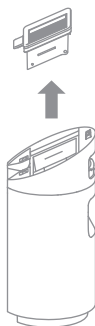
4. Po zakończeniu czyszczenia należy zamknąć pokrywę zbiornika. Następnie należy zatrzęsnąć dno zbiornika w pozycji podparcia odkurzacza i delikatnie wcisnąć zbiornik, aż słyszalne będzie kliknięcie.



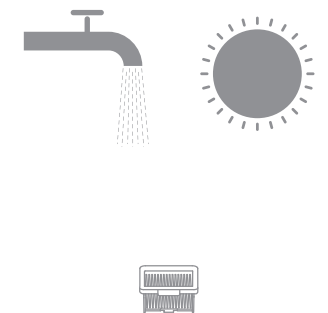
Pielęgnacja i konserwacja

Czyszczenie filtra * Zaleca się czyszczenie po każdym użyciu i wymianę raz na 3 do 6 miesięcy.

1. Należy usunąć filtr z górnej części zbiornika na brudną wodę.

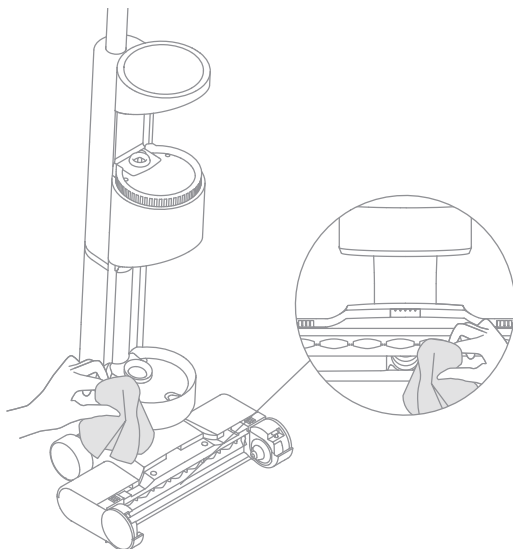


2. Należy opłukać filtr czystą wodą. A następnie całkowicie osuszyć przed ponownym użyciem.



Czyszczenie rury odkurzacza

Należy wyjąć zbiornik na brudną wodę, przetrzeć go wilgotną szmatką, aby wyczyścić brud w rurze odkurzacza przed jej ponownym użyciem.



FAQ - najczęściej zadawane pytania

Błąd	Możliwe przyczyny	Rozwiązanie
Odkurzacze nie działa.	Części uchwytu nie zostały prawidłowo zamontowane.	Należy ponownie zamontować części uchwytu.
	Odkurzacze nie ma baterii lub poziom baterii jest zbyt niski.	Należy w pełni naładować odkurzacze i spróbować ponownie.
	Odkurzacze jest pionowo.	Należy przechylić odkurzacze przed jego ponownym użyciem.
	Szczotka rolkowa nie została prawidłowo zamontowana lub szczotka rolkowa jest zablokowana.	Należy ponownie zamontować zbiornik na brudną wodę.
	Zbiornik na brudną wodę nie został prawidłowo zamontowany.	Należy zamontować ponownie lub napełnić zbiornik na czystą wodę.
	Zbiornik na brudną wodę jest pełny.	Należy opróżnić zbiornik na brudną wodę.
Słaba siła ssania.	Filtr jest zatkany.	Należy oczyścić filtr.
	Pokrywa szczotki rolkowej, filtr oraz zbiornik na czystą wodę nie zostały prawidłowo zamontowane.	Należy upewnić się, że wszystkie części zostały prawidłowo zamontowane przed użyciem.
	Włosy są zaplątane w szczotkę rolkową.	Należy odnieść się do instrukcji obsługi [Czyszczenie szczotki rolkowej].
	W rurze odkurzacza znajdują się ciała obce lub jest ona zablokowana.	Należy oczyścić rurę odkurzacza.
Silnik wydaje dziwny dźwięk.	W zbiorniku na brudną wodę znajduje się zbyt dużo brudnej wody.	Należy oczyścić zbiornik na brudną wodę.
	Główny otwór ssący jest zablokowany.	Należy oczyścić wszelkie ciała obce z głównego otworu ssącego.
Wskaźnik poziomu baterii nie świeci się podczas ładowania.	Zasilacz nie jest podłączony do gniazdka elektrycznego.	Należy upewnić się, że zasilacz jest prawidłowo podłączony.
	Zasilacz nie jest prawidłowo podłączony do podstawy ładującej.	Należy upewnić się, że są one prawidłowo podłączone.

FAQ - najczęściej zadawane pytania

Błąd	Możliwe przyczyny	Rozwiązanie
Wskaźnik poziomu baterii nie świeci się podczas ładowania.	Podstawa ładująca nie jest prawidłowo podłączona do odkurzacza.	Należy upewnić się, że odkurzacz jest prawidłowo ustawiony.
Odkurzacz nie ma przepływu wody.	Zbiornik na czystą wodę nie został prawidłowo zamontowany lub zbiornik na czystą wodę jest pusty.	Należy zamontować ponownie lub napełnić zbiornik na czystą wodę.
Wyciek wody z górnej części zbiornika na czystą wodę.	Kolizja lub gwałtowne pociągnięcie powoduje, że woda dostaje się do silnika.	Należy poruszyć delikatnie w przód i w tył, kiedy odkurzacz jest włączony.
	Filtr nie jest całkowicie osuszony po jego czyszczeniu.	Należy całkowicie osuszyć filtr przed jego ponownym użyciem.
Samoo czyszczanie nie powiodło się.	Szczotka rolkowa może być zablokowana przez duże objekty.	Należy otworzyć pokrywę szczotki w celu sprawdzenia i wyczyszczenia.
	Odkurzacz nie ładuje się.	Należy upewnić się, że odkurzacz jest naładowany przed uruchomieniem funkcji samoo czyszczania.
	Samoo czyszczanie nie może zostać rozpoczęte, jeśli poziom baterii jest niższy niż 10%.	Funkcję samoo czyszczania można włączyć tylko wtedy, gdy odkurzacz jest naładowany, a poziom baterii jest większy niż 10%.
	Zbiornik na brudną wodę nie został prawidłowo zamontowany lub zbiornik na brudną wodę jest pełny.	Zbiornik na brudną wodę należy zamontować ponownie lub opróżnić.
	Zbiornik na czystą wodę nie został prawidłowo zamontowany lub zbiornik na czystą wodę jest pusty.	Należy ponownie zamontować lub napełnić zbiornik na czystą wodę.

Rozwiązywanie problemów

W przypadku, gdy odkurzacz nie działa prawidłowo, na wyświetlaczu pojawi się komunikat o błędzie. Należy odnieść się do tabeli rozwiązywania problemów, aby znaleźć rozwiązanie.

Wskaźnik błędu	Możliwe przyczyny	Rozwiązanie
	Zbiornik na czystą wodę jest pusty	Należy napełnić zbiornik na czystą wodę.
	Zbiornik na brudną wodę nie jest zamontowany	Należy zamontować zbiornik na brudną wodę.
	Zbiornik na brudną wodę jest pełny	Należy opróżnić zbiornik na brudną wodę.
	Szczotka rolkowa jest zablokowana	Należy oczyścić szczotkę rolkową za pomocą dołączonej szczotki czyszczącej.
	Szczotka rolkowa nie jest zamontowana	Należy zamontować szczotkę rolkową.
	Rura odkurzacza jest zablokowana	Należy sprawdzić, czy filtr jest zablokowany.
		Należy odnieść się do instrukcji obsługi [Czyszczenie rury odkurzacza].

Kod rozwiązywania problemów	Możliwe przyczyny	Rozwiązanie
E1/EE/EF	Błąd silnika	Należy skontaktować się z obsługą klienta.
E2/E3/E7/E8/E9	Awaria baterii	Należy skontaktować się z obsługą klienta.
E4/E5	Niezgodność zasilacza	Należy użyć oryginalnego zasilacza lub skontaktować się z działem obsługi klienta.
E6	Przegrzanie baterii	Należy poczekać aż temperatura baterii wróci do normy, a następnie kontynuować użytkowanie.

Odkurzacz			
Model	VWV7	Czas ładowania	Okolo 3 godzin
Napięcie znamionowe	21,6 V ---	Napięcie ładowania	26 V ---
Moc znamionowa	170 W	Pojemność znamionowa	2300 mAh
Pojemność nominalna	2500 mAh	Pojemność zbiornika na brudną wodę	500 mL
Pojemność zbiornika na czystą wodę	900 mL		
Zasilacz			
Model	YLS0251B-E260090 (EU) / YLS0251A-A260090 (AU)	Średnia Sprawność podczas Pracy	87,28%
Wejście	100-240 V ~ 50/60 Hz 0,8A Max	Wydajność przy Niskim Obciążeniu (10%)	79,74%
Wyjście	26 V --- 0,9 A	Zużycie Mocy bez obciążenia	0,08 W

- Ten produkt zawiera baterie, które mogą być wymieniane wyłącznie przez wykwalifikowany technik lub personel serwisu posprzedażowego.
- Ten produkt zawiera niewymienne baterie.
- To urządzenie jest wyposażone w akumulator litowo-jonowy. Zawiera on substancje niebezpieczne dla środowiska. Przed utylizacją urządzenia należy postępować zgodnie z poniższymi instrukcjami w celu bezpiecznego demontażu akumulatora i jego utylizacji:
 - Przed wyjęciem akumulatora zaleca się zużycie baterii urządzenia do końca. Podczas wyjmowania akumulatora należy wyłączyć zasilanie. Następnie należy odkręcić śruby mocujące dolnej pokrywy urządzenia i zdemontować dolną pokrywę.
 - Należy odbezpieczyć zaciski zabezpieczające akumulator, a następnie wyjąć akumulator. Należy uważać, aby nie uszkodzić obudowy baterii, gdyż może to stanowić zagrożenie.
 - Wyjęty akumulator należy poddać utylizacji w desygnowanym do tego punkcie recyklingu.

Informacje dot. utylizacji w UE (WEEE)



Wszystkie produkty opatrzone tym symbolem są zużytym sprzętem elektrycznym i elektronicznym (WEEE, jak w dyrektywie 2012/19/UE), które go nie należy mieszać z niesortowanymi odpadami domowymi. Należy chronić zdrowie ludzkie i środowisko poprzez przekazanie sprzętu specjalnemu punktowi zbiórki odpadów do recyklingu zużytego sprzętu elektrycznego i elektronicznego, wyznaczonego przez władze rządowe lub lokalne. Prawidłowa utylizacja i recykling pomogą zapobiec potencjalnym negatywnym skutkom dla środowiska i zdrowia ludzkiego. Aby uzyskać więcej informacji na temat lokalizacji oraz warunków takich punktów zbiórki, należy skontaktować się z instalatorem lub władzami lokalnymi.

הוראות בטיחות חשובות

לשימוש ביתי בלבד

- בזמן השימוש במכשיר חשמלי, תמיד יש לנקות באמצעי בטיחות בסיסיים, כולל את הבאים:
- קראו את כל ההוראות לפני השימוש (במכשיר זה). אי עמידה בהוראות ואזהרות יכול להגמר בהתחשמלות, שריפה ואו פציעה רצינית.

אזהרה - על מנת להוריד את סיכוי לאש, התחמשלות, או פציעה:

- השתמשו רק כפי שמתואר במדריך זה. השתמשו רק באביזרים נלווים המומלצים על ידי היצרן.
- השתמשו רק בפנים, על גבי משטחים ללא שטיחים כגון וינל, בלטות, פרקט וכו'. הזהרו שלא לעבור על חפצים משוחררים או קצוות שטיחים. תקיעת המברשת עלולה לגרום לתקלת חגורה בטרם עת.
- לא ניתן לשמש כצעצוע לילדים. תשמות לב רבה נדרשת בעת השימוש בקרבת ילדים, בעלי חיים או צמחים.
- אין להשתמש בחומר דליק לנקות את הרצפה. אין להרים חומרים או נזולים דליקים, כגון דלק, או להשתמש באיזורים שבהם הם נוכחים.
- לצרכי טעינת הסוללה, השתמשו רק ביחידת אספקה המתנתקת המגיעה עם מוצר זה. השתמשו רק עם יחידת אספקה (AU) YLS0251A-A260090 / (EU) YLS0251B-E260090.
- הטעינו את השואב רק עם המטען המצויין על ידי היצרן. מטען שמתאים לסוללה מסוג אחד עלול לגרום לשריפה בשימוש עם סוללה מסוג אחר.
- אין לטבול את השואב בנוזל. השתמשו רק על גבי רצפה לחה בזמן הנקיין.
- מכשיר זה ניתן לשימוש על ידי ילדים מגיל 8 ומעלה ועל ידי אנשים עם מגבלות פיזיות, חושניות או שכליות או חוסר נסיון או ידע רק עם הם תחת השגחה או קיבלו הדרכה לגבי אופן השימוש במכשיר בצורה בטוחה ומבינים את הסכנות הנלוות. אין לתת לילדים לשחק עם המכשיר. טיפול ואחזקה לא ייעשו על ידי ילדים ללא השגחה.
- עטיפות פלסטיק יכולות להיות מסוכנות. על מנת להמנע מסכנת חנק, יש להרחיק מידי ילדים.
- הרחיקו שערות, ביגוד רופף, אצבעות וכל שאר חלקי הגוף מפתחי וחלקיו הזזים של מכשיר זה ואביזריו.
- השתמשו רק בסוג וכמות הנוזלים המצויינים בחלק התפעול של מדריך זה. אין להכווין נוזלים כלפי חלקים עם מרכיבים חשמליים.
- אין להכניס חפצים לתוך הפתחים. אין להשתמש בשואב כאשר אחד מפתחיו חסומים: השאירו פנוי מאבק, מוך, שיערות, וכל דבר שעלול להוריד את זרימת האוויר.
- אין להשתמש בו כשהמסננים אנים במקום.
- אין להשתמש בשואב עם כבל או שקע פגום. אם הכבל או השקע פגומים, עליו להיות מוחלף על ידי היצרן, נציג מטעמו או אנשים אחרים המוסמכים לכך על מנת להמנע מסכנה.
- אין להשתמש בשואב להרים נוזלים דליקים, כגון דלק, או להשתמש בשואב באיזורים בהם חומאים מאין אלה נוכחים.

- אין להרים חומרים רעילים (כלור, אקונומיקה, אמוניה, מנקה ניקוז וכו'). אין להרים חפצים קשיחים או חדים כגון זכוכית, מסמרים, ברגים, מטבעות, וכו'...
- אין להתשתמש במכשיר במקום סגור עם אדים של צבע בסיס-שמן, מדלל צבע, חומרים מסויימים למניעת עשי בגדים, אבק ניצת, או חומרים נפיצים אחרים או אדים רעילים. אין להרים כל דבר שעולה באש או מוצאי עשן, כגון סיגריות, גפרורים, או אפר לוחט.
- אין להטעין את היחידה בחוץ. אין להטעין מחדש, לפרק, לחמם מעל 60 מעלות צלסיוס, או לשרוף.
- אין לקצר את יציאות בסיס הטעינה. אין להשתמש בו עם כבל או מטען פגום. אם המכשיר נופל, נפגם, הושאר בחוץ, הופל לתוך מים, או אינו עובד כראוי, החזירו אותו למרכז שירות.
- הרחיקו את כבל הטעינה ממשטחים חמים. אין להתעסק עם כבל או מכשיר הטעינה עם ידיים רטובות. על מנת לנתק מהחשמל, החזיקו את השקע ולא את הכבל.
- הרחיקו את כבל הטעינה ממשטחים חמים. אין להתעסק עם כבל או מכשיר הטעינה עם ידיים רטובות. על מנת לנתק מהחשמל, החזיקו את השקע ולא את הכבל.
- כבו כשהמכשיר אינו בשימוש, לפני הנקיין ואחזקה של המכשיר, ולפני חיבור או ניתוק של מברשת שמבצעת תנועה.
- על המכשיר להיות מנותק ממקור חשמל בעת הסרת הסוללה. הרחיקו סוללות מהישג ידיהם של ילדים. לעולם אין להכניס סוללות לפה. במקרה של בליעה, ייצרו קשר עם רופא או מרכז טיפול בהרעלה מקומי.
- אין להשתמש במכשיר שהוא פגום או מאולטר. סוללות פגומות או מאולטרות יכולות להתנהג בצורה בלתי צפויה ולגרום לשריפה, פיצוץ או סכנת פציעה.
- אין לחשוף את המכשיר לאש או לטמפרטורות גבוהות. חשיפה לאש או לטמפרטורה מעל 130 מעלות צלסיוס יכול לגרום לפיצוץ.
- הקפידו על כל הוראות הטעינה והמנעו מלהטעין את המכשיר כאשר הסוללה לא במרווח טמפרטורות שצויינה שיגרום לסכנת שריפה.
- אין להבעיר את המכשיר גם עם הוא פגום מאוד. יש להיפטר מהסוללה בצורה בטוחה, ויש להסירו מהמכשיר לפני שהוא נזרק על מנת להמנע מפיצוץ באש.
- אם נפגעה הסוללה, אין לגעת בו מחשש מנזלים שנפלטו. אם מתרחש מגע, שטפו במים. עם נזלים נוגכים בעניים, יש לפנות לסיוע רפואי מיידי. נזלים הנלטים מהסוללה עלולים לגרום לגירודים או לכוויות.
- וודאו שהמכשיר מונח על משטח מאוזן. אין להשתמש במכשיר באותה מצב עם המכשיר מגיע עם מברשת גלגלית והידית אינה במצב אנכי לחלוטין. אין לאחסן את המכשיר במקום שהוא עלול להיקפא.
- השתמשו במשנה זהירות כשאתם מנקים מדרגות.
- המנעו מהדלקה לא מכוונת. וודאו שהמתג במצב "כבו" לפני הרמה או נסיעה של המכשיר. נסעו את המכשיר כאשר האצבע שלכם על המתג או מכשירים ממריצים שיש להם מתג המזמינים תאונות.
- מכשיר זה כולל בוללות שניתנות להחלפה רק על ידי איש מקצוע

שמרו על הוראות אלו אמצעי הגנה חשובים

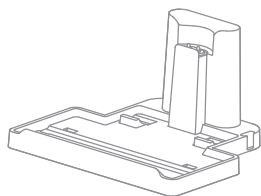
- יש לתת לאיש אחזקה מוסמך לבצע אחזקה של המכשיר ולהשתמש רק בחלקי חילוף זהות לחלוטין. זה יוודא שבטיחות המכשיר תשמר.
- אין לשנות או לנסות לתקן את המכשיר למעט כפי שמורה בהוראות הטיפול ואחזקה.
- אין להשתמש או לאחסן בסביבה חמה או קרה מאוד (מתחת ל- 32°C / 90°F או מעל 40°C / 104°F). יש להטעין את השואב האלחוטי בטמפרטורה מעל 32°C / 90°F ומתחת ל- 40°C / 104°F .
- אם המכשיר נופל, נפגם, הושאר בחוץ, הופל לתוך מים, או אינו עובד כראוי, אין לנסות להפעילו. החזירו אותו למרכז שירות.

לעיון במדריך מקוון מפורט, בקר בכתובת

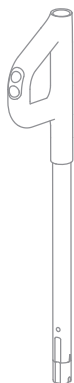
<https://www.dreame-technology.com/pages/user-manuals-and-faqs>

הצגת המוצר

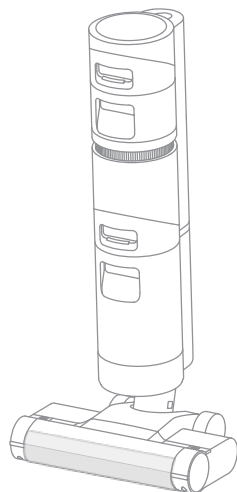
רשימת מארז



בסיס טעינה



הרכבת ידית האחיזה



גוף המכשיר



מסנן חלופי



מברשת ניקוי



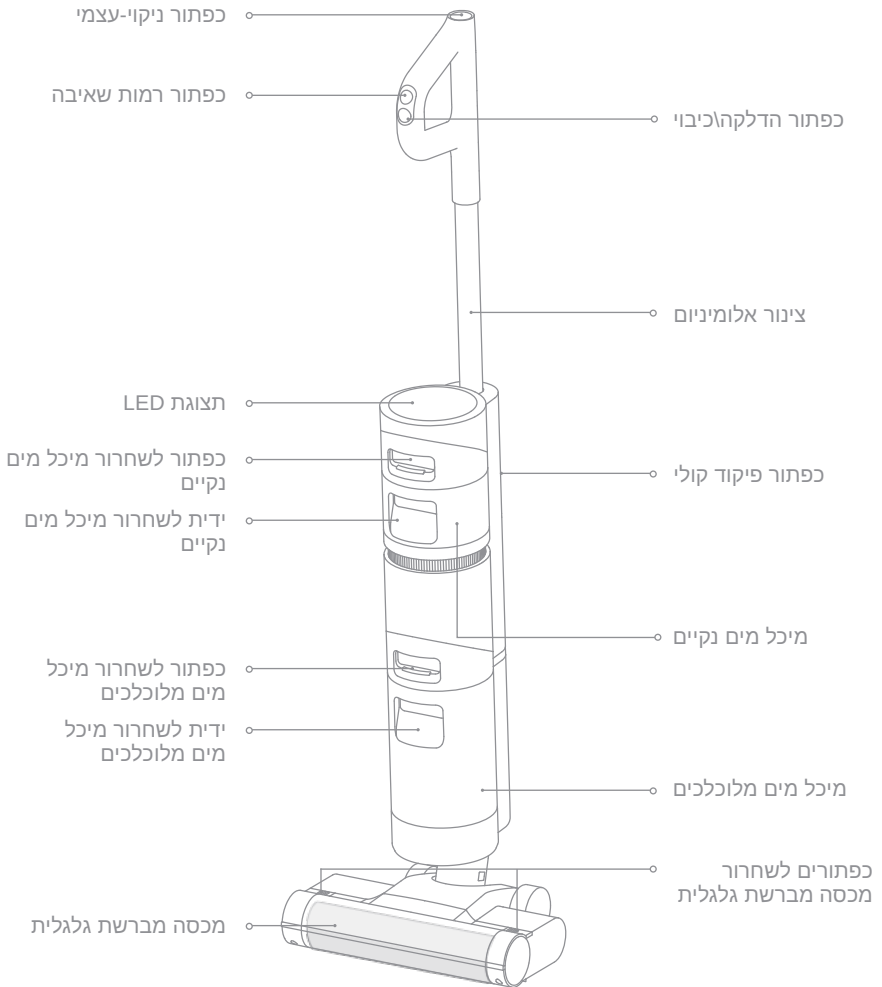
מתאם חשמל



מחזיק אביזרים

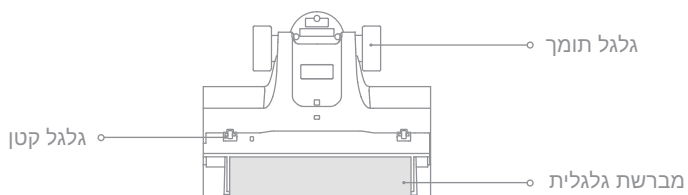
שימו לב: התמונות במדריך זה הינם להמחשה בלבד, יתכנו הבדלים במוצר עצמו.

גוף השואב

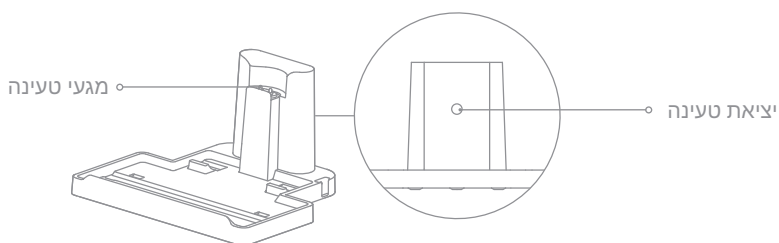


הצגת המוצר

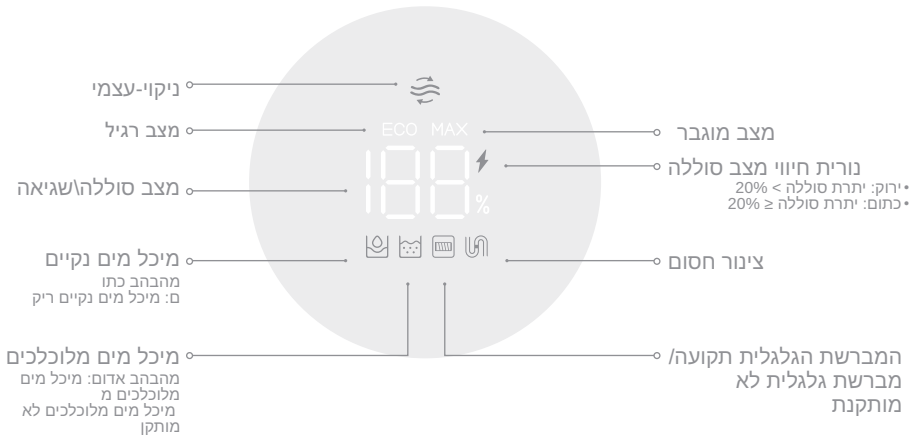
הרכבת המברשת הגלגלית



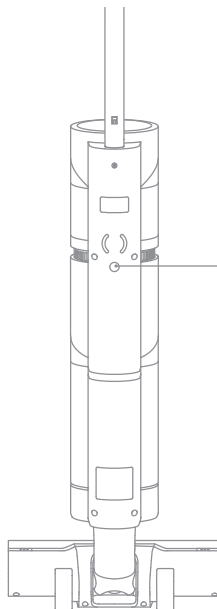
בסיס טעינה



תצוגה



כפתור פיקוד קולי



כפתור פיקוד קולי

- לחצו והחזיקו למשך 3 שניות על מנת להחליף בין שפות
- בחרו במצב אוטומטי או מצב ספיגת מים על פי הצורך

התקנת בסיס הטעינה

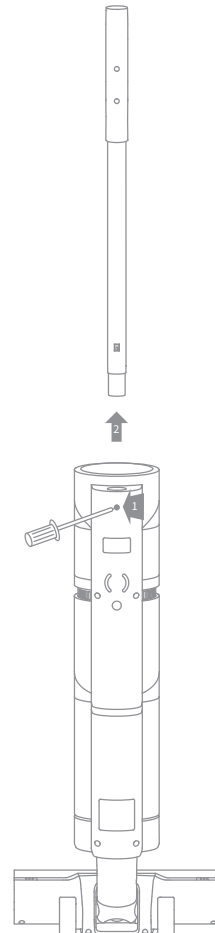
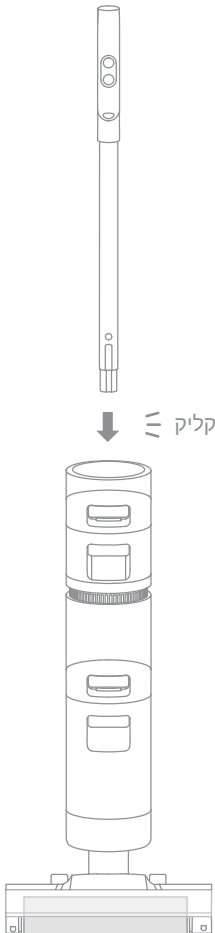
התקינו את מחזיק האביזרים בבסיס הטעינה כפי שמצויין.




תרשים התקנת השואב

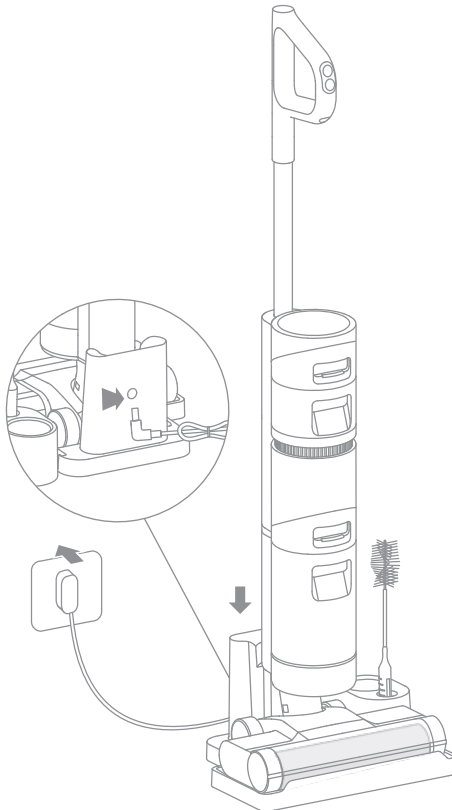
הכניסו את קצה ידית האחיזה באופן אנכי לתוך הפתח שבחלקו העליון של השואב כפי שמצויין, תרגישו אותו מקליק לתוך מקומו.

שימו לב: על מנת לפרק את הידית, השתמשו בעצם קשיח על מנת לגשש לתוך החור שבחלקו האחורי של השואב וללחוץ על המגע, ובו שמנית משכו את הידית כפלי מעלה.



שימו לב: טענו את השואב עד שהסוללה מלאה לפני השימוש הראשון.

1. הניחו את בסיס הטעינה על משטח מאוזן בצמוד לקיר. חברו קצה אחד של המתאם החשמלי לבסיס הטעינה ואת קצה השני לשקע.
2. הניחו את השואב על בסיס הטעינה, ה  על המסך יאיר להורות על מצב הטעינה. המספר על המסך מייצג את יתרת הסוללה הנוכחית באחוזים בזמן הטינה. כאשר המספר מגיע ל-100, הסוללה מוטענת באופן מלא. לאחר שהשואב טעון מלא, המחווין יכבה לאחר 10 שניות.



שימו לב: כאשר עוברים 15 דקות ללא פעולה לאחר שהסוללה מגיעה לטעינה מלאה, המכשיר נכנס למצב שינה.

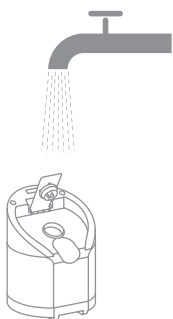
אופן השימוש

מלאו את מיכל המים הנקיים

1. לחצו על הכפתור לשחרור מיכל המים הנקיים ומשכו את המיכל החוצה כדי להוציאו.



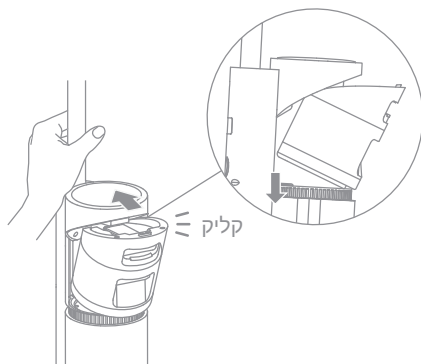
2. פתחו את מכסה המיכל והוסיפו כמות מים מספקת למיכל המים הנקיים.





3. סגרו והדקו את מכסה המים לאחר הוספת המים.

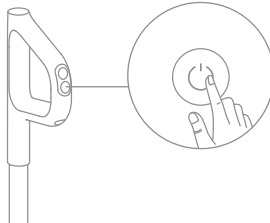


4. התקינו את מיכל המים הנקיים לתוך גוף המכשיר עד להשמע הקליק.

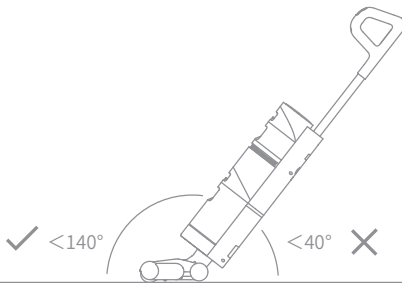


תחילת הנקיון

השואב מגיע מותקן עם מתג מאוזן־משופע. אנא החזיקו אותו בזווית לאחר ההדלקה. לחצו לחיצה קצרה על  להפעיל והשואב יתחיל לנקות. לחצו שוב על ה  כדי לעצור.



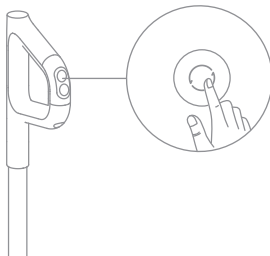
שימו לב: כאשר השואב אינו עובד, אין להרים אותו למעלה ולמטה או להזיזו, וכן אין להניח אותו בזווית על מנת למנוע זליגת המים המלוכלכים לתוך גוף המכשיר.



אין להטות את השואב בשיפוע של יותר מ-140 מעלות על מנת למנוע זליגת מים.

החלפת רמת שאיבה

השואב נדלק בברירת מחדל במצב רגיל. אפשר ללחוץ על כפתור רמות השאיבה כדי להכנס למצב מוגבר על פי הצורך.



טיפול ואחזקה

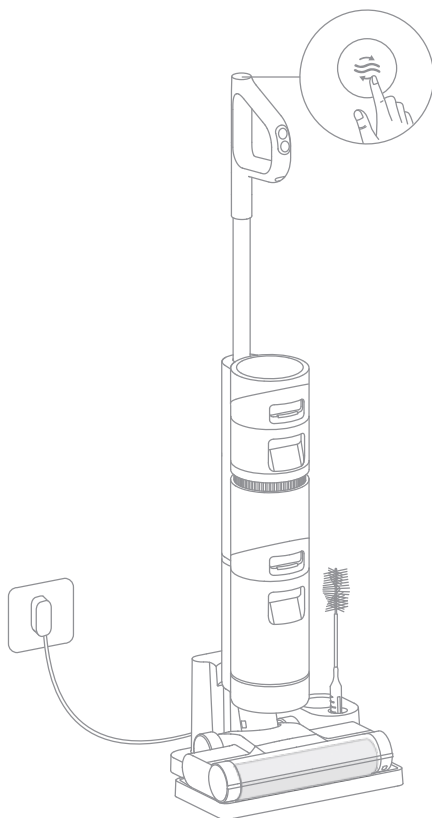
שימו לב:

1. וודאו שהשואב מנותק מהשקע ואינו פועל.
2. יש להחליף חלקים על פי הצורך. אנא השתמשו בחלקים שנקבעו על ידי המפעל המייצר על מנת למנוע פגיעה במוצר עקב חוסר התאמה.
3. אם השואב אינו בשימוש לתקופה ארוכה, יש להטעינו עד שהסוללה מלאה, לנתק את המטען ולאחסן אותו במקום קריר יבש ומוצל. על מנת למנוע פריקת יתר של הסוללה יש להטעין לפחות פעם בשלושה חודשים.


ניקוי-עצמי בקליק אחד

* פונקציית הניקוי-עצמי יכול להיות מופעל רק כאשר השואב טעון ויתרת הסוללה הינה מעל 10%.

1. הניחו את השואב אנכית על בסיס הטעינה אחרי הנקיין וודאו שמיכל המים הנקיים מלא.
2. יש להחליף חלקים על פי הצורך. אנא השתמשו בחלקים שנקבעו על ידי המפעל המייצר על מנת למנוע פגיעה במוצר עקב חוסר התאמה.
3. השואב ימשיך להיטען לאחר שהניקוי-עצמי הסתיים.



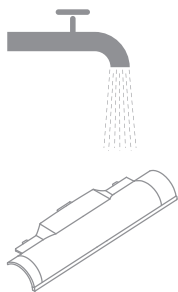
שימו לב:

עם יש צורך בניקוי-עצמי עמוק, לחצו והחזיקו את כפתור ה- כדי להפעיל את פונקציית הניקוי-עצמי העמוק. יש למלא את מיכל המים הנקיים ואת מיכל המים המלוכלכים לפני ההפעלה, כמו כן ניתן להפעילו רק כאשר השואב טעון ויתרת הסוללה הינו יותר מ-30%.
לאחר שהנקיין העצמי הושלם, נקו את המיכל המים המלוכלך בהקדם. אם יש כתמים בתחתית, יש לנקותם בהקדם.

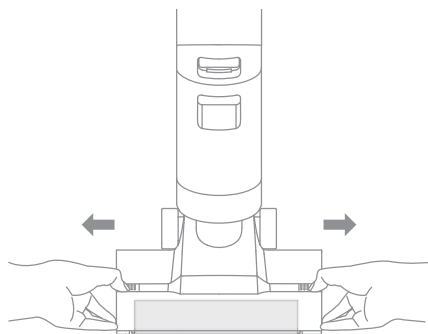
נקיון מכסה המברשת הגלגלית

* נקה בעת הצורך.

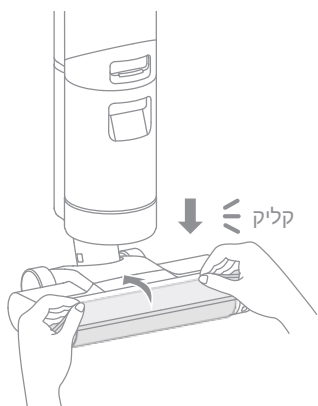
2. שטפו את המברשת הגלגלית עם מים נקיים עד שהיא נקייה.



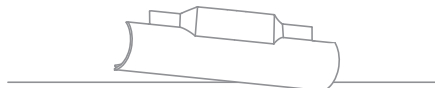
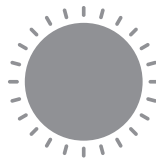
1. כפי במצויין בתרשמים, לחצו על כפתורי שחרור מכסה המברשת הגלגלית לכיוון החוצה על מנת להסיר את המכסה.



4. יישר את מכסה המברשת עם חריץ הימני על שואב האבק ולחץ על המכסה כלפי מטה עד שתשמע קליק.



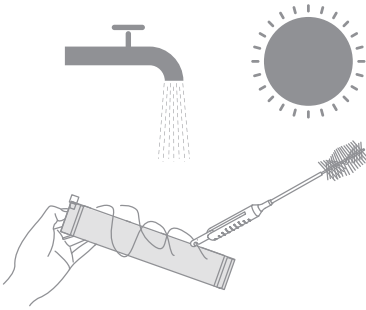
3. על המכסה להיות יבש לחלוטין לפני השימוש.



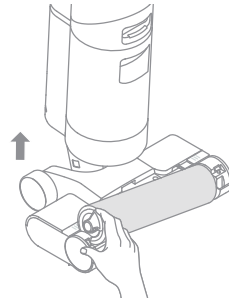
טיפול ואחזקה

נקיון המברשת הגלגלית * נקה בעת הצורך. מומלץ להחליפו כל 3-6 חודשים.

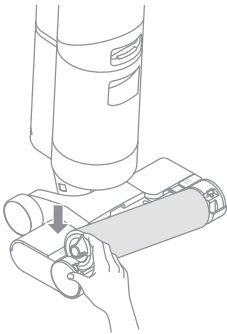
2. השתמשו במברשת נקיון להוציא שערות ועצמים שנתקעו במברשת הגלגלית ושטפו אותה עם מים נקיים. על המברשת הגלגלית להיות יבשה לחלוטין לפני השימוש.



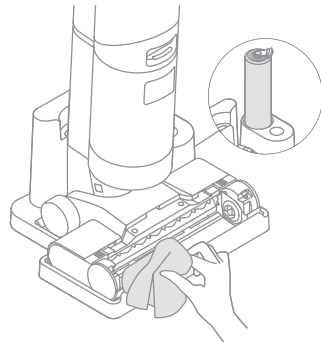
1. משכו את הידית השמאלית של המברשת הגלגלית כלפי מעלה והוציאו אותו.



4. לאחר שהנקיון הושלם, יישרו את קצה הימני של המברשת הגלגלית עם החריץ הימני על השואב ולחצו את הקצה השמאלי לתוך החריץ השמאלי עד שהוא מקליק למקומו.



3. נגבו את האבק מפתחי הכניסה עם מטלית יבשה או מגבת נייר. אין לשטוף אותו במים.



נקיון מיכל המים המלוכלכים

* מומלץ לרוקן את מיכל המים המלוכלכים לאחר כל שימוש, ולפני אחרי שמפעילים את הנקיון העצמי.

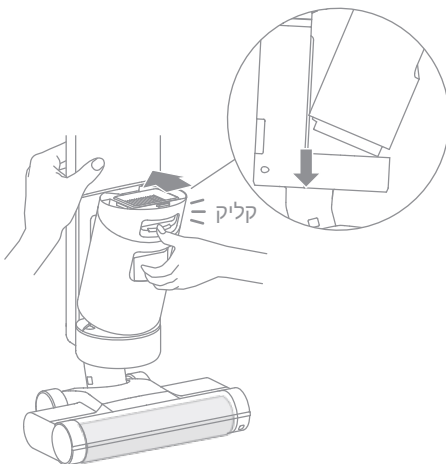
2. החזיקו את המיכל עם יד אחת ומשכו את מכסה המיכל כלפי מעלה עם היד השנייה. שפכו החוצה את המים המלוכלכים.



1. לחצו על כפתור שחרור מיכל המים המלוכלכים ומשכו אותו החוצה כפי שמצויין.



4. לאחר השלמת הנקיון סגרו את מכסה המיכל, הקליקו את תחתית המיכל לתוך פתח התושבת התומכת של השואב, ואז לחצו בעדינות על המיכל עד להשמע הקליק, שמורה שהוא במקומו.



3. שטפו את המיכל ואת מכסה המיכל עם מים נקיים. המברשת נקיון הכלול יכול לשמש לנקיית הקירות הפנימיים של המיכל.

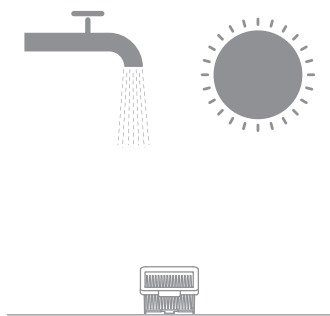


טיפול ואחזקה

נקיון המסנן * מומלץ לנקות לאחר כל שימוש ולהחליפו כל 3-6 חודשים.

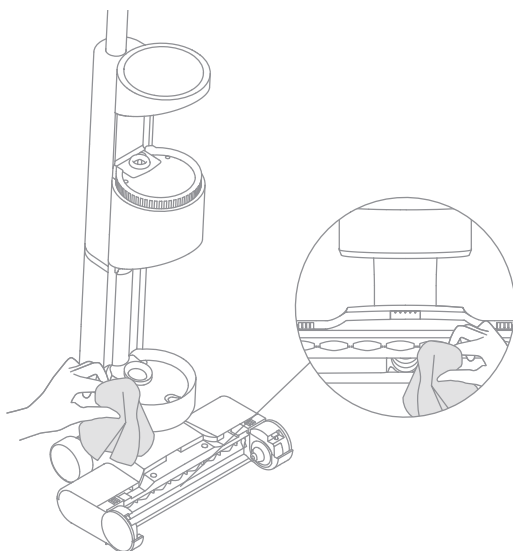
2. שטפו את המסנן עם מים נקיים. ייבשו אותו לחלוטין לפני התקנה מחדש.

1. הסירו את המסנן מחלקו העליון של מיכל המים המלוכלכים.



נקיון הצינור



הסירו את מיכל המים המלוכלכים, נגבו אותו עם מטלית לחה על מנת לנקות את הלכלוך בתוך הצינור לפני השימוש.



שגיאות נפוצות	גורמים אפשריים	פתרונות
השואב אינו עובד.	הרכב ידית האחיזה אינה מותקנת במקומה.	התקינו מחדש את הרכב ידית האחיזה.
	השואב עם סוללה מרוקנת או נמוכה.	הטעינו את השואב עד שהסוללה מלאה והמשיכו בשימוש.
	השואב המצב אנכי.	הטעו את השואב בזווית.
	המברשת הגלגלית אינו מותקנת במקום, או שהמברשת הגלגלית תקועה.	התקינו מחדש או נקו את המברשת הגלגלית.
	מיכל המים הנקיים אינה מותקנת במקומה.	התקינו מחדש או נקו את מיכל המים המלוכלכים.
	מיכל המים המלוכלכים מלא.	רוקנו את מיכל המים המלוכלכים.
כוח יניקה חלשה.	המסנן סתום.	נקו את המסנן.
	המסנן, מכסה המברשת הגלגלית, ומיכל המים הנקיים אינם מותקנים במקומם.	אנא וודאו שהחלקים הותקנו במקומם לפני השימוש.
	הסתבכו שערות במברשת הגלגלית.	אנא ראו את המדריך אחזקה, חלק (נקיין המברשת הגלגלית).
	יש עצמים זרים בתוך הצינור או שהצינור חסום.	נקו את הצינור.
המנוע מוציא רעשים מוזרים.	יותר מידי מים מלוכלכים במיכל המים המלוכלכים.	רוקנו את מיכל המים המלוכלכים.
	פתח היניקה הראשי חסום.	הסירו על חסימה מפני פתח היניקה הראשי.
מחונן מצב הסוללה אינה נדלקת בזמן טעינה.	מתאם החמשל אינו בשקע.	אנא וודאו שמתאם החמשל תקוע בשקע כראוי.
	מתאם החמשל אינו מחובר כראוי לבסיס הטעינה.	אנא וודאו שהוא מחובר כראוי.
	בסיס הטעינה אינו מחובר כראוי לשואב.	אנא וודאו שהשואב במקום.

שגיאות נפוצות	גורמים אפשריים	פתרונות
אין זרם מים מתוך המכשיר.	מיכל המים הנקיים אינה מותקנת במקומה, או שמיכל המים הנקיים ריק.	התקינו מחדש או מלאו את מיכל המים הנקיים.
נזילת מים מחלקו העליון של מיכל המים המלוכלכים.	התנגשות או משיכה חזקה גורמת למים להכנס למנוע.	היזו קדימה ואחורה בעדינות כאשר גוף השואב דלוק.
	המסנן לא התייבש לחלוטין לאחר הנקיון.	בשו את המסנן לפני השימוש.
נקיון עצמי נכשל.	יתכן והמברשת הגלגלית תקועה עקב חלקיקים גדולים.	פתחו את מכסה המברשת ונקו את המברשת הגלגלית.
	השואב אינו נטען.	וודאו שהשואב טעון לפני הפעלת הנקיון-עצמי.
	הנקיון-עצמי לא יכול להיות מופעל אם רמת הסוללה נמוכה מ-10%.	פונקציית הנקיון העצמי יכול להיות מופעל רק כאשר רמת הסוללה הינה יותר מ-10%.
	מיכל המים המלוכלכים לא הותקנה במקומה או שמיכל המים המלוכלכים מלא.	התקינו מחדש או רוקנו את מיכל המים המלוכלכים.
	מיכל המים הנקיים אינה מותקנת במקומה, או שמיכל המים הנקיים ריק.	התקינו מחדש או מלאו את מיכל המים הנקיים.

אם השואב אינו עובד כראוי, המסך יציג הודעת שגיאה. אנא עיינו בטבלת תפעול התקלות בכדי למצוא את הפתרון.

פתרונות	גורמים אפשריים	סמל שגיאה
מלאו את מיכל המים הנקיים.	מיכל המים הנקיים מרוקן	
התקינו את מיכל המים המלוכלכים.	מיכל מים מלוכלכים לא מותקן	
רוקנו את מיכל המים המלוכלכים.	מיכל המים המלוכלכים מלא	
נקו את המברשת הגלגלית עם מברשת הניקוי הכלולה.	המברשת הגלגלית תקועה	
התקינו את המברשת הגלגלית.	מברשת גלגלית לא מותקנת	
אנא בדוק אם המסנן סתום.	צינור חסו	
עיינו במדריך אחזקה חלק (נקייון הצינור).		

פתרונות	גורמים אפשריים	קוד תפעול
אנא צרו קשר עם שירות לקוחות.	תקלת מנוע	E1/EE/EF
אנא צרו קשר עם שירות לקוחות.	תקלת סוללה	E2/E3/E7/E8/E9
אנא השתמשו במתאם חשמלי המקורי, או ייצרו קשר עם שירות הלקוחות.	מתאם חשמלי לא מתאים	E4/E5
המתינו עד שטמפרטורת הסוללה חוזרת לטמפרטורה רגילה, ואז המשיכו להשתמש בשואב.	סוללה בהתחממות יתר	E6

שואב			
מודל	VWV7	זמן טעינה	בערך 3 שעות
מתח מדורג	21.6 V ===	מתח טעינה	26 V ===
כוח מדורג	170 W	קיבולת מדורגת	2300 mAh
קיבולת נומנלית	2500 mAh	תכולת מיכל מים מלוכלים	500 mL
תכולת מיכל מים נקיים	900 mL		
מתאם חשמלי			
מודל	YLS0251B-E260090 (EU) / YLS0251A-A260090 (AU)	יעילות פעילה ממוצעת	87.28%
כניסה	100-240 V ~ 50/60 Hz 0.8 A Max	יעילות בעומס נמוך (10%)	79.74%
יציאה	26 V === 0.9 A	צריכת חשמל ללא טעינה	0.08 W

- מוצר זה מכיל סוללות שניתן להחליף רק על ידי טכנאים מוסמכים או מרכז שירות לקוחות.
- מוצר זה מכיל סוללות שאינן ברות החלפה.
- מכשיר זה מכיל סוללת ליטיום נטענת, שבזמן זריקתו עלול לגרום לנזק סביבתי, לפני זריקת המכשיר לאשפה יש להוציא את הסוללה על פי ההוראות מטה וכן לטפל בו כראוי:
- לפני פירוק הסוללה, יש לנתק מהחשמל וכן לרוקן את הסוללה ככל הניתן. לאחר מכן יש לפתוח את הברגים שבתחתית המכשיר ולהסיר את המכסה התחתית.
- משכו ונתקן את חיבורי הסוללה, ולאחר מכן הסירו את הסוללה. שימו לב לא לפגום את הכיסוי החיצוני של הסוללה, על מנת למנוע סכנה.
- אנא מסרו את הסוללה לטיפול על ידי ארגון מיחזור מקצועי.

تعليمات هامة

للاستخدام المنزلي فقط

- عند استخدام الاجهزة الكهربائية يجب دائماً اتباع خطوات السلامة التالية:
- (اقرأ جميع التعليمات قبل استخدام هذا الجهاز). قد يؤدي عدم اتباع التحذيرات والتعليمات إلى حدوث صدمة كهربائية أو حريق أو إصابة خطيرة.

تحذير - لتقليل مخاطر نشوب حريق أو صدمة كهربائية أو إصابة:

- استخدم كما يبين دليل المستخدم هذا. استخدم فقط المرفقات الموصى بها من الشركة المصنعة.
- استخدم في الداخل فقط على أسطح الأرضيات غير المغطاة بالسجاد مثل الفينيل والبلاط والخشب المختوم و ما إلى ذلك. احرص على عدم دهس الأشياء السائبة أو حواف البسط. فقد يؤدي الى توقف الفرشاة وفشل الحز ام المبكر.
- تجنب قيام الاطفال باللعب بالمكنسة، وعند الاستخدام احرص على عدم وضعة بالقرب من الاطفال أو الحيوانات ت الأليفة أو النباتات.
- تجنب استخدام سائلاً قابلاً للاشتعال أو مادة سريعة الاشتعال لتنظيف الأرضية./ أو استخدام المكنسة لتنظيف ال سوائل القابلة للاشتعال أو القابلة للاحتراق، مثل البنزين، أو استخدامها في المناطق التي قد تكون موجودة فيها.
- من أجل شحن البطارية ، يرجى استخدام وحدة إمداد الطاقة القابلة للفصل التي تأتي مع الجهاز فقط. تستخدم فقط مع وحدة تغذية العرض YLS0251A-A260090 (AU) / YLS0251B-E260090 (EU).
- أعد شحن المكنسة الكهربائية فقط بالشاحن المحدد من قبل الشركة المصنعة. قد يؤدي استخدام شاحن اخر غي ر مناسب الى حدوث حريق عند استخدامه مع حزمة بطارية أخرى.
- لا تغمر المكنسة في السائل. استخدمها فقط على الأرض المبللة بعملية التنظيف.
- يمكن استخدام هذه المكنسة من قبل الأطفال الذين تتراوح أعمارهم بين 8 سنوات وما فوق والأشخاص الذين ي عانون من ضعف القدرات الجسدية أو الحسية أو العقلية أو نقص الخبرة والمعرفة إذا تم منحهم الإشراف أو التعلي مات المتعلقة باستخدام الجهاز بطريقة آمنة وفهم المخاطر التي تنطوي عليها. لا يجوز للأطفال اللعب بالجهاز. أو إجراء التنظيف وصيانة المكنسة دون إشراف.
- الغشاء البلاستيكي يمكن أن يكون خطيراً. لتجنب خطر الاختناق، احفظه بعيداً عن متناول الأطفال.
- تجنب انجذاب الشعر والملابس الفضفاضة والأصابع وجميع أجزاء الجسم الى الفتحات والأجزاء المتحركة للجهاز وملحقاته.
- استخدم فقط نوع وكمية السوائل المحددة في قسم العمليات في هذا الدليل. يجب عدم توجيه السائل نحو المع دات التي تحتوي على مكونات كهربائية
- لا تضع أي شيء في الفتحات. لا تستخدم المكنسة الكهربائية عند انسداد أي فتحة ؛ حافظ على خلوها من الغبار والشعر وأي شيء قد يقلل من تدفق الهواء.
- لا تستخدم المكنسة في حال عدم وجود فلترات.
- لا تستخدم المكنسة الكهربائية مع وجود سلك أو قابس تالف. في حالة تلف السلك أو القابس، يجب استبداله م ن قبل الشركة المصنعة أو وكيل الخدمة أو الأشخاص المؤهلين لتجنب الخطر.
- لا تستخدم المكنسة لالتقاط السوائل القابلة للاشتعال أو القابلة للاحتراق مثل البترول ، أو تستخدم المكنسة الكه ربائية في المناطق التي قد تكون موجودة فيها.
- لا تلتقط مواد سامة (مبيض الكلور، الأمونيا، منظف المصارف، إلخ). لا تلتقط أشياء صلبة أو حادة مثل الزجاج وال مسامير والبراغي والعملات المعدنية، إلخ.
- لا تستخدم المكنسة في مكان مغلق مملوء بالبخر المنبعث من الطلاء الزيتي أو مخفف الطلاء أو بعض مواد أو غ

معلومات السلامة

- بار قابله للاشتعال أو أي بخار متفجر أو سام آخر. لا تلتقط أي شيء يحترق أو يدخن ، مثل السجائر أو أعواد الثقاب أو الرماد الساخن.
- لا تشحن المكنسة في الهواء الطلق ولا تقم بإعادة الشحن أو التفكيك أو التسخين فوق 60 درجة مئوية قد يؤدي الى نشوب حريق.
- يجب ألا تكون أطراف مخرج قاعدة الشاحن ذات دائرة قصر. ولا تستخدمه مع سلك أو شاحن تالف. إذا سقط الجهاز أو تعرض للتلف أو تُرك بالخارج أو سقط في الماء أو لا يعمل كما ينبغي، فأعده إلى مركز الخدمة.
- احتفظ بسلك الشاحن بعيداً عن الأسطح الساخنة. لا تعامل مع قابس الشاحن أو الجهاز بيد مبللة. ولفصل القابس أمسك قابس الشاحن بدلاً من السلك.
- لا تسحب الشاحن أو تحمله بالسلك، ولا تستخدمه كمقبض، أو تغلق الباب عليّة، أو تسحب السلك حول الحواف أو الزوايا الحادة.
- قم بإيقاف تشغيل المكنسة عند عدم استخدام وقبل تنظيفها أو صيانتها وقبل توصيلها أو فصلها بفرشاة الدوارة.
- يجب فصل المكنسة عن مصدر الطاقة عند إزالة البطارية. احتفظ بالبطاريات بعيداً عن متناول الأطفال. لا تضع البطاريات في الفم أبداً. في حالة الابتلاع ، اتصل بطبيبك أو بمركز مكافحة السموم المحلي.
- لا تستخدم مكنسة تالفة أو معدلة. قد تؤدي البطاريات التالفة أو المعدلة الى نشوب حريق أو انفجار أو خطر الإصابة.
- لا تعرض المكنسة للنار أو درجة حرارة أعلى من 130 درجة مئوية. فقد يؤدي الى نشوب حريق أو حدوث انفجار. اتبع جميع تعليمات الشحن ولا تقم بشحن المكنسة خارج نطاق درجة الحرارة المحدد في البطارية والا فإنه سيؤدي من خطر نشوب حريق.
- لا تحرق المكنسة حتى لو تعرضت لأضرار بالغة. يجب التخلص من البطارية وإزالتها من المكنسة قبل التخلص منها لتجنب حدوث انفجار في الحريق.
- تجنب لمس البطارية التي قد يخرج منها السائل. في حالة حدوث تلامس عرضي، اشطفه بالماء. في حال وصل السائل العينين، فاطلب المساعدة الطبية على الفور. قد يتسبب السائل المنبعث من البطارية في حدوث تهيج أو حروق.
- تأكد من أن الجهاز موضوع على سطح أفقي. لا تستخدم الجهاز في نفس الموضع إذا كان الجهاز مزوداً بفرشاة دوارة وكان المقبض غير مستقيم تماماً. لا تقم بتخزين الجهاز في مكان يمكن أن يتجمد فيه.
- توخي الحذر عند تنظيف السلالم.
- تجنب بدء التشغيل غير المقصود. تأكد من أن المفتاح في وضع إيقاف التشغيل قبل التقاط الجهاز أو حمله. يؤدي حمل الجهاز بإصبعك على المفتاح أو الجهاز المنشط الذي يحتوي على المفتاح إلى وقوع حوادث.
- يحتوي هذا الجهاز على بطاريات لا يمكن استبدالها إلا بواسطة الأشخاص ذوي الخبرة.

معلومات هامه

إجراءات حماية هامه

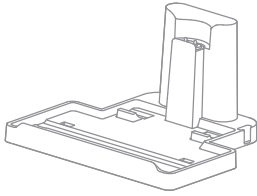
- قم بإجراء الصيانة بواسطة فني إصلاح مؤهل باستخدام قطع غيار أصلية. سيضمن ذلك الحفاظ على سلامة المنتج.
- لا تقم بتعديل أو محاولة إصلاح الجهاز باستثناء ما هو مبين في تعليمات الاستخدام والعناية.
- عدم استخدامه وتخزينه في بيئات شديدة الحرارة أو البرودة (أقل من 0 درجة/ 32 درجة فهرنهايت أو أعلى من 40 درجة مئوية / 104 درجة فهرنهايت). يرجى شحن المكنسة اللاسلكية في درجة حرارة أعلى من 0 درجة / 32 درجة فهرنهايت وأقل من 40 درجة / 104 درجة فهرنهايت).
- في حالة سقوط الجهاز أو تلفه أو تركه بالخارج أو سقوطه في الماء أو لا يعمل طبيعياً، فلا تحاول أبداً تشغيله. يرجى إصلاحها في مركز خدمة معتمد.

للحصول على دليل إلكتروني مفصل، يُرجى الانتقال إلى

<https://www.dream-technology.com/pages/user-manuals-and-faqs>

مقدمة عن المنتج

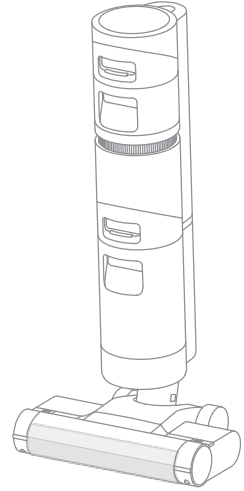
قائمة التعبئة



قاعدة الشحن



وحدة المقبض



الجسم الرئيسي



فلتر احتياطي



فرشاة تنظيف

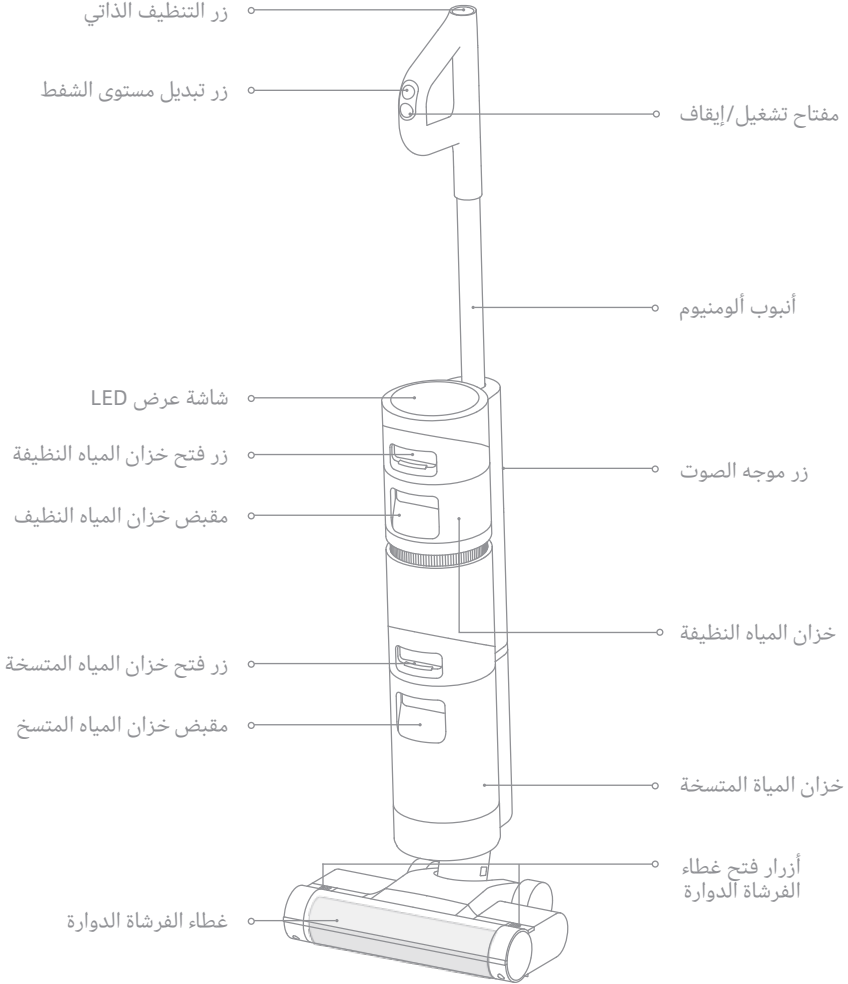


محول الطاقة



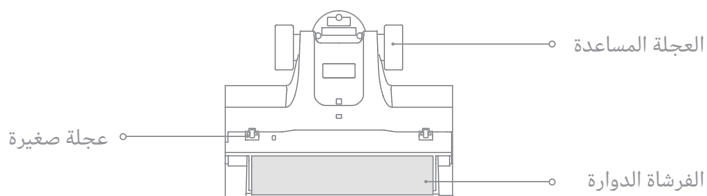
حامل الملحقات

ملاحظة: الصور الموجودة في هذا الدليل هي لأغراض توضيحية فقط ، وقد يختلف المنتج الفعلي.

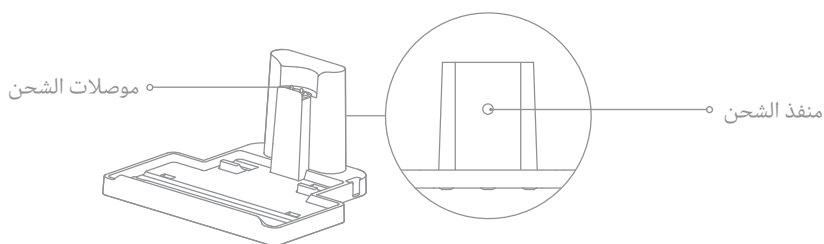


مقدمة عن المنتج

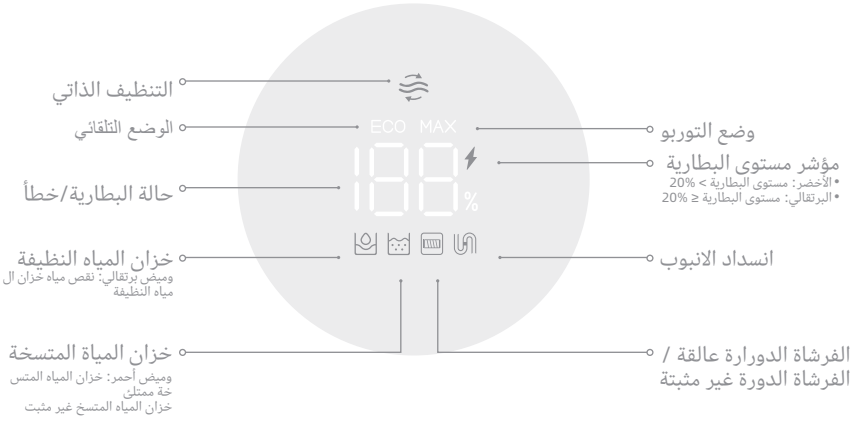
وحدة الفرشاة



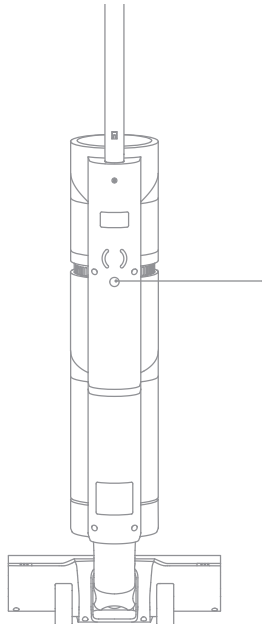
قاعدة الشحن



شاشة العرض



زر موجة الصوت

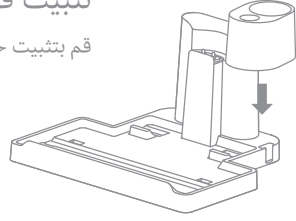


زر موجة الصوت

- اضغط لفترة قصيرة لتشغيل أو ضبط مستوى الصوت
- اضغط مع الاستمرار لمدة 3 ثوانٍ للتبديل بين اللغات

تثبيت قاعدة الشحن

قم بتثبيت حامل الملحقات على قاعدة الشحن



تثبيت الجهاز بالكامل

أدخل نهاية وحدة المقبض عموديا في المدخل الموجود أعلى المكنسة كما هو موضح، وسيكون التثبيت ناجحًا بعد سماع نقرة.

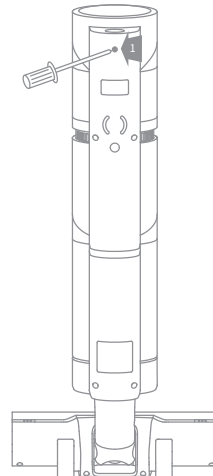
ملاحظة: لتفكيك المقبض، يرجى استخدام جسم صلب للوصول إلى الفتحة الموجودة في الجزء الخلفي من الممكنة للضغط على جهة الاتصال، وفي نفس الوقت اسحب المقبض لأعلى.



انقر

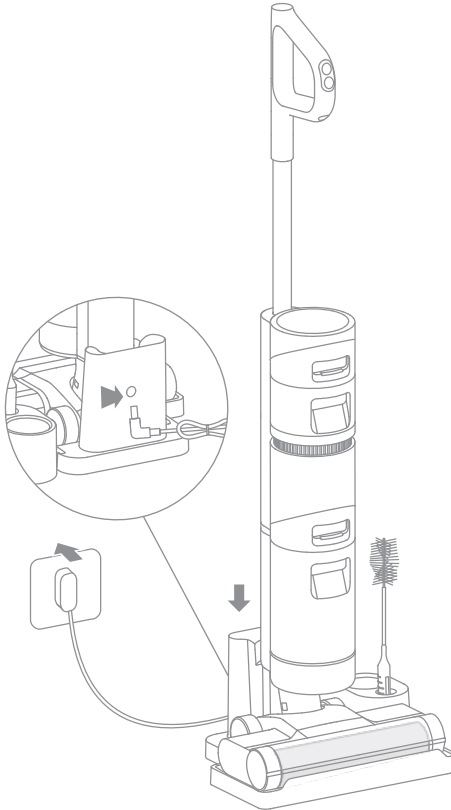


2



نصيحة: اشحن البطارية بالكامل قبل استخدامها لأول مرة.

1. ضع قاعدة الشحن على أرض مستوية موازية للحائط، وقم بتوصيل أحد طرفي محول الطاقة بقاعدة الشحن وال طرف الآخر بالمصدر الكهربائي.
2. ضع المكنسة على قاعدة الشحن، سيضيء المؤشر الموجود على الشاشة، وستدخل المكنسة في حالة الشحن. ي مثل الرقم الموجود على شاشة العرض مستوى البطارية الحالي بالنسبة المئوية أثناء الشحن. عندما يكون الرقم م عند 100، تكون البطارية مشحونة بالكامل. وبمجرد شحن البطارية بالكامل ينطفئ المؤشر بعد 10 ثوانٍ.



ملاحظة: بعد 15 دقيقة من عدم التشغيل بعد الشحن الكامل، تبدأ المكنسة في الدخول بوضع السكون.

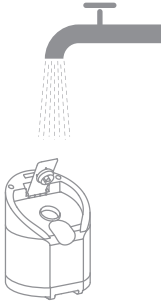
كيفية الاستخدام

ملء خزان المياه النظيفة

1. اضغط على زر فتح خزان المياه النظيفة واسحب الخزان للخارج لإزالته.



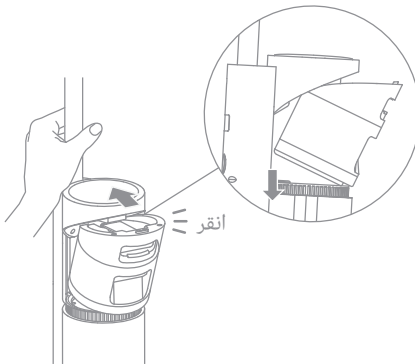
2. افتح غطاء الخزان وأضف ما يكفي من الماء النظيف إلى خزان المياه النظيفة.





3. أغلق غطاء الخزان بإحكام بعد إضافة الماء.

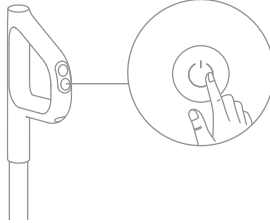


4. قم بتثبيت خزان المياه النظيفة في جسم المكنسة حتى تسمع صوت طقطقة.

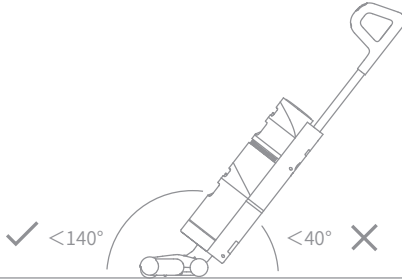


بدء تنظيف

المكنسة مزودة بمفتاح عمودي/إمالة ، يرجى استخداممه عند الإمالة بعد تشغيلها.
اضغط قصيرا على مفتاح  للتشغيل واستبدأ المكنسة الكهربائية في التنظيف. اضغط قصيرا على المفتاح  مرة أخرى لإيقاف التشغيل.



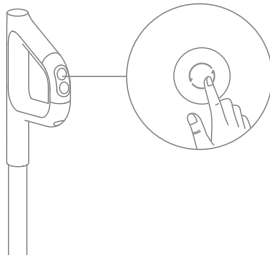
نصيحة: عندما تعمل، لا ترفعيها لأعلى ولأسفل أو تحركيها، ولا تقم بإمالة المكنسة إلى جانب واحد أو وضعها بشكل مسطح لمنع تدفق مياه الصرف الصحي إلى المحرك.



لا تقم بإمالة المكنسة أكثر من 140 درجة لتجنب تسرب المياه.

تبديل مستوى الشفط

يتم تشغيل المكنسة بشكل افتراضي في الوضع القياسي. ويمكنك الضغط على زر تبديل مستوى الشفط للدخول إلى وضع توربو وفقاً للاحتياجات الفعلية.



العناية والصيانة

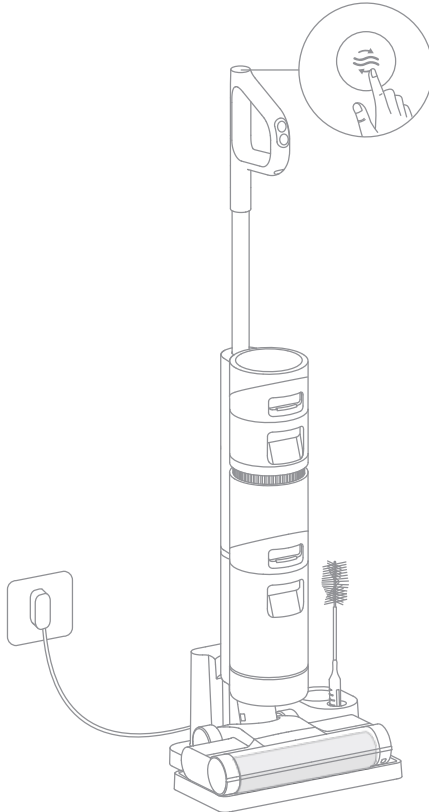
نصائح:

1. يرجى إيقاف تشغيل المكنسة قبل التنظيف.
2. يجب استبدال الأجزاء إذا لزم الأمر، يرجى استخدام الأجزاء المحددة من قبل المصنع الأصلي لتجنب تلف المنتج بسبب عدم ملاءمته.
3. في حالة عدم استخدام المكنسة الكهربائية لفترة طويلة، يرجى شحنها بالكامل، وفصل الشاحن الخاص بها، ومن ثم تخزينها في بيئة باردة منخفضة الرطوبة بعيداً عن أشعة الشمس المباشرة. لتجنب الإفراط في تفريغ البطارية، أعد شحن المكنسة في مرة واحدة على الأقل كل 3 أشهر.


تنظيف ذاتي بنقرة واحدة

* لا يمكن تمكين وظيفة التنظيف الذاتي إلا عند شحن المكنسة الكهربائية ومستوى البطارية أكثر من 10%.

1. ضع المكنسة في وضع مستقيم على قاعدة الشحن بعد عمليات التنظيف المحددة وتأكد من امتلاء خزان المياه النظيفة.
2. اضغط على زر التنظيف الذاتي أعلى المقبض قصيرا، وسيضيء مؤشر التنظيف الذاتي على الشاشة، وسيبدأ التنظيف الذاتي.ستستمر المكنسة في الشحن بعد الإنتهاء من التنظيف الذاتي.

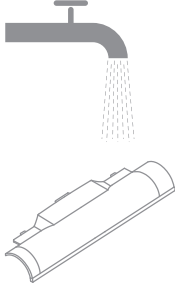


ملاحظة:

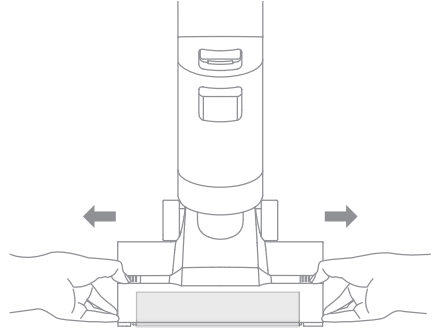
- إذا كانت هناك حاجة للتنظيف الذاتي العميق، فاضغط باستمرار على الزر  لتشغيل وظيفة التنظيف الذاتي العميق. يرجى ملء خزان المياه النظيفة وتفريغ خزان المياه المتسخة قبل التشغيل، ويمكن تشغيل هذه الوظيفة فقط عندما يكون الجهاز مشحون ومستوى البطارية أكثر من 30%.
- بعد الانتهاء من التنظيف الذاتي، نظف خزان المياه المتسخة في الوقت المناسب. إذا كانت هناك بقع متبقية على القاعدة، يرجى تنظيف القاعدة في الوقت المناسب.

نظف غطاء الفرشاة الدوارة * بالتنظيف حسب الحاجة.

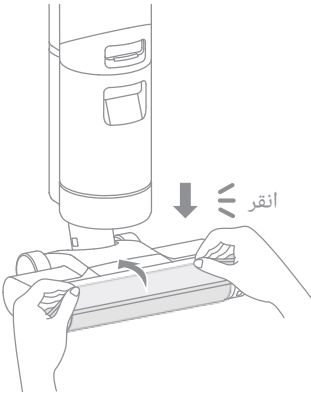
2. اشطف غطاء الفرشاة الدوارة بالماء النظيف حتى ي
صبح نظيفاً.



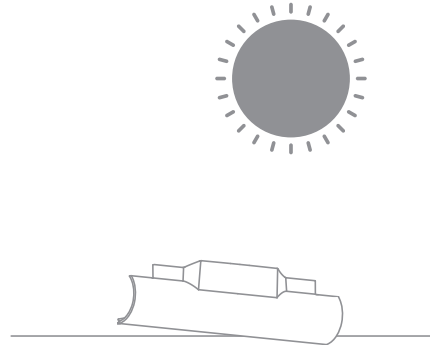
1. كما هو موضح في الشكل ، اضغط على مفاتيح ازال
ة غطاء فرشاة الدوارة على كلا الجانبين للخارج لإزالة
غطاء فرشاة الدوارة.



4. قم بمحاذاة غطاء الفرشاة مع الشق الأيمن في
المكنسة الكهربائية واضغط على الغطاء إلى الأسفل
حتى سماع صوت قرقعة.



3. يجب تجفيف الغطاء جيداً قبل الاستخدام.

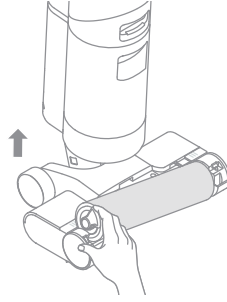
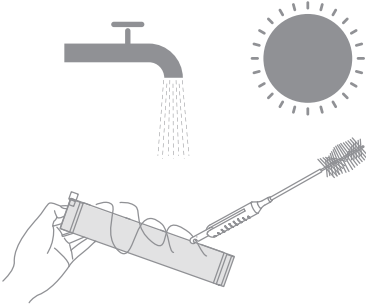


العناية والصيانة

نظف الفرشاة الدوارة * ينظف حسب الحاجة، ويوصى باستبداله كل 3 إلى 6 أشهر.

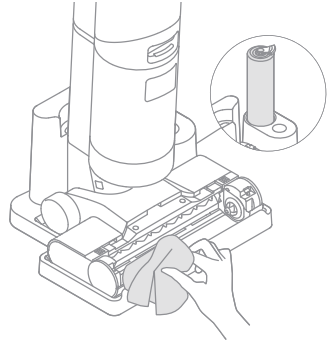
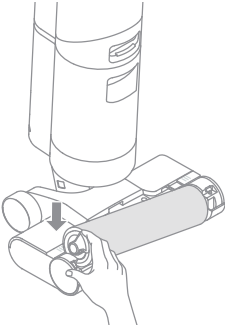
2. استخدم فرشاة التنظيف المطابقة لإزالة الشعر وال
أوساخ العالقة في الفرشاة الدوارة واشطفها بالماء ال
نظيف جيداً، ويجب تجفيف الفرشاة الدوارة جيداً قب
ل الاستخدام.

1. اسحب المقبض الأيسر للفرشاة الدوارة لأعلى وأ
خرجها.



4. بعد الانتهاء من التنظيف، قم بمحاذاة الطرف الأيم
ن من الفرشاة الدوارة مع الفتحة اليمنى في المكنسة
الكهربائية وادفع الطرف الأيسر في الفتحة اليسرى با
لمكنسة حتى تستقر في مكانها.

3. امسح الغبار عن مدخل الغبار بقطعة قماش جافة أ
و منشفة ورقية، ولا تشطفه بالماء أبداً.

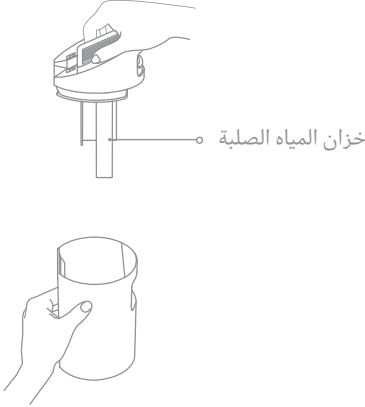


نظف خزان المياه المتسخة

* يوصى بتفريغ خزان المياه المتسخة بعد كل استخدام، وقبل وبعد تشغيل وظيفة التنظيف الذاتي.

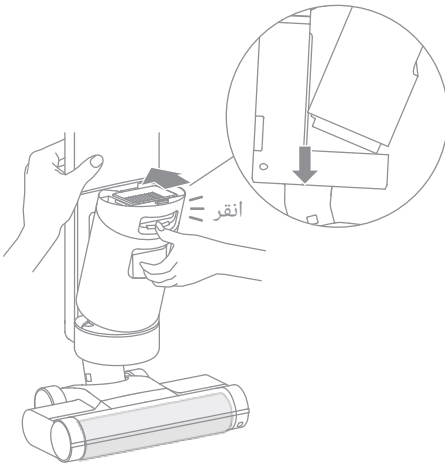
2. امسك الخزان بيد واحدة واسحب غطاء الخزان بيد أخرى، ثم اسكب المياه المتسخة.

1. اضغط على زر فتح خزان المياه المتسخة واسحبه ل خارج كما هو محدد.



4. بعد الانتهاء من التنظيف، أغلق غطاء الخزان، وادفع قاع الخزان إلى موضع دعم المكنسة، ثم ادفع الخزان برفق حتى تسمع صوت طقطقة، مما يشير إلى أنه في مكانه.

3. اشطف خزان المياه المتسخة وغطائه بالماء النظيف. يمكن استخدام فرشاة التنظيف المرفقة لتنظيف الجدار الداخلي للخزان.

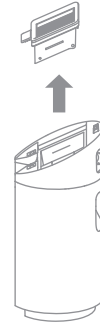
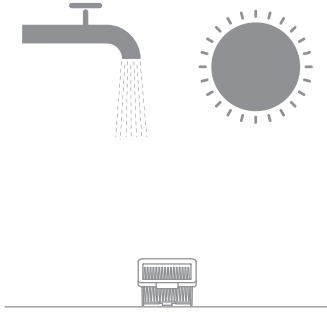


العناية والصيانة

تنظيف الفلتر * ينصح بتنظيفه بعد كل استخدام واستبداله كل 3 إلى 6 أشهر.

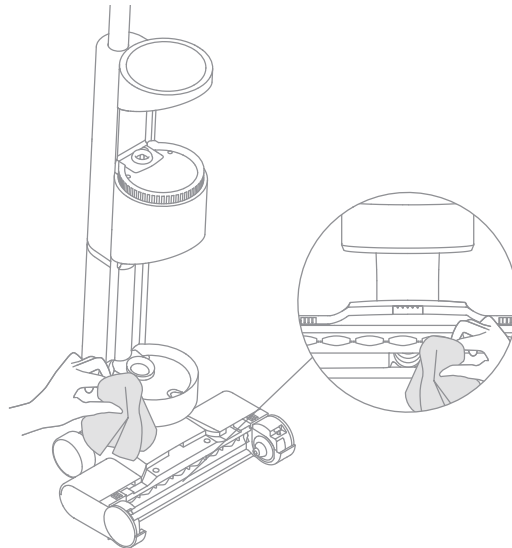
2. اشطف الفلتر بالماء النظيف ، وجففه جيداً قبل إعادة التثبيت.

1. قم بإزالة الفلتر من أعلى خزان المياه المتسخة.



تنظيف الأنبوب

قم بإزالة خزان المياه المتسخة ، استخدم قطعة قماش مبللة لتنظيف الأوساخ الموجودة في الأنبوب قبل الاستخدام.



أعطال شائعة	سبب محتمل	الحلول
المكنسة لا تعمل.	لم يتم تثبيت وحدة المقبض في مكانها.	أعد تثبيت وحدة المقبض.
	لا يوجد طاقة بالمكنسة أو البطارية مخفضة.	اشحن المكنسة بالكامل، ثم استمر في استخدامها.
	المكنسة في وضع مستقيم.	قم بأماله المكنسة قبل الاستخدام.
	لم يتم تثبيت الفرشاة الدوارة في مكانها، أو أن الفرشاة الدوارة عالقة.	أعد تركيب أو تنظيف الفرشاة الدوارة.
	لم يتم تركيب خزان المياه المتسخة في مكانه.	أعد تركيب خزان المياه المتسخة.
	خزان المياه المتسخة ممتلئ.	أفرغ خزان المياه المتسخة.
قوة شفط ضعيفة.	انسداد الفلتر.	يرجى تنظيف الفلتر.
	لم يتم تركيب غطاء الفرشاة الدوارة والفلتر وخزان المياه النظيفة في أماكنهم.	تأكد من تثبيت الأجزاء في مكانها قبل الاستخدام.
	الفرشاة الدوارة متشابكة بالشعر.	راجع قسم دليل الصيانة [تنظيف الفرشاة الدوارة].
	هناك بعض الأجسام الغريبة في الأنبوب أو الأنبوب مسدود.	الرجاء تنظيف الأنبوب.
يصدر المحرك ضوضاء غريبة.	وجود الكثير من المياه المتسخة في خزان المياه.	أفرغ خزان المياه المتسخة قبل الاستخدام.
	فتحة الشفط الرئيسية مسدودة.	قم بإزالة أي انسداد في فتحة الشفط الرئيسية.
لا يضيء مؤشر حالة البطارية أثناء الشحن.	محول الطاقة غير متصل بالمصدر الكهربائي.	تأكد من توصيل محول الطاقة بشكل صحيح.
	محول الطاقة غير متصل بقاعدة الشحن بالشكل الصحيح.	تأكد من توصيلهما بشكل صحيح.

مشاكل شائعة

أعطال شائعة	سبب محتمل	الحلول
لا يضيء مؤشر حالة الب طارية أثناء الشحن.	قاعدة الشحن غير متصلة بالمكنسة الكه ربائية بشكل صحيح.	تأكد من أن المكنسة الكهربائية في مكانها.
لا يتدفق الماء من المكنسة.	لم يتم تثبيت خزان المياه النظيفة في م كانه، أو أن خزان المياه النظيفة فارغ.	أعد تثبيته أو ملء خزان الماء النظ يفة.
تسرب المياه من أعل ى خزان المياه المت سخة.	يتسبب التصادم أو السحب الحاد في دخول الماء إلى المحرك.	يرجى التحريك ذهاباً وإياباً وبرفق عند تشغيل المكنسة.
	لم يجفف الفلتر جيدا بعد تنظيفه.	جفف الفلتر جيدا قبل الاستخدام.
لا يعمل أثناء التنظيف الذاتي.	قد تختنق الفرشاة الدوارة بسبب القط ع الكبيرة.	افتح غطاء الفرشاة لفحص الفرشاة ال دوارة وتنظيفها.
	لم يتم شحن المكنسة الكهربائية.	تأكد من شحن المكنسة الكهربائية قب ل تنشيط وظيفة التنظيف الذاتي.
لا يعمل أثناء التنظيف الذاتي.	لا يمكن بدء التنظيف الذاتي إذا كان مستوى البطارية أقل من 10%.	في حالة الشحن، انتظر حتى تزيد الطاقة عن 10% قبل بدء وظيفة التنظيف الذاتي.
	لم يتم تثبيت خزان المياه المتسخة في مكانه، أو أن خزان المياه المتسخ ممتلئ.	أعد تثبيته أو تفريغ خزان المياه المتسخة.
	لم يتم تثبيت خزان المياه النظيفة في م كانه، أو أن خزان المياه النظيفة فارغ.	أعد تثبيته أو ملء خزان الماء النظ يفة.

استكشاف الأخطاء وإصلاحها

إذا كانت المكنسة الكهربائية لا تعمل بشكل صحيح، ستظهر على الشاشة رسالة خطأ. يرجى الرجوع إلى جدول استكشاف الأخطاء وإصلاحها للعثور على الحل الخاص بك.

مؤشر العطل	السبب	الحلول
	خزان المياه النظيفة فارغ	يرجى ملئ خزان الماء بالتنظيف.
	خزان المياه المتسخة غير مثبت	يرجى تثبيت خزان المياه المتسخة.
	خزان المياه المتسخة ممتلئ	يرجى تنظيف خزان المياه المتسخة.
	الفرشاة الدوارة عالقة	نظف الفرشاة الدوارة بفرشاة التنظيف المرفقة.
	لم يتم تثبيت الفرشاة الدوارة	يرجى تثبيت الفرشاة الدوارة.
	انسداد الأنبوب	يرجى التحقق مما إذا كان الفلتر مسدودًا.
		راجع قسم دليل الصيانة [تنظيف الأنبوب] لأجراء التنظيف.

كود العطل	السبب	الحلول
E1/EE/EF	عطل بالمكنسة	يرجى الاتصال بخدمة العملاء.
E2/E3/E7/E8/E9	عطل بالبطارية	يرجى الاتصال بخدمة العملاء.
E4/E5	محول الطاقة غير متطابق	يرجى استخدام محول الطاقة الأصلي ، أو الاتصال بخدمة العملاء.
E6	ارتفاع درجة حرارة البطارية	يرجى حتى تصبح درجة حرارة البطارية طبعية، ثم استمر في استخدام المكنسة الكهربية.

المكنسة			
الموديل	VWV7	وقت الشحن	حوالي 3 ساعات
الفولطية	21.6 V ===	جهد الشحن	26 V ===
القوة المصنفة	170 W	تقييم القدرة	2300 mAh
القدرة الاسمية	2500 mAh	سعة خزان المياه المتسخة	500 mL
سعة خزان المياه النظيفة	900 mL		
محول الطاقة			
الموديل	YLS0251B-E260090 (EU) / YLS0251A-A260090 (AU)	متوسط الكفاءة الفعالة	87.28%
إدخال	100-240 V ~ 50/60 Hz 0.8 A Max	الكفاءة عند الحمل العالي (10%)	79.74%
الإخراج	26 V === 0.9 A	استهلاك الطاقة بدون حمل	0.08 W

- يحتوي هذا المنتج على بطاريات ال يمكن استبدالها إال بمعرفة فنيين مؤهلين أو خدمة ما بعد البيع.
- يحتوي هذا المنتج على بطاريات غير قابلة للاستبدال.
- يملك هذا الجهاز بطارية ليثيوم قابلة لإعادة الشحن والتفريغ. يرجى إخراج البطارية من الجهاز والتخلص منها وفقاً للنصائح التالية قبل التخلص من الجهاز لتجنب الحاق أي ضرر بالبيئة، والتعامل مع الأمر بشكل معقول:
- قبل تفكيك البطارية، يرجى قطع الطاقة ووالأكد من إفراغ البطارية من أي شحنات، ثم فك مسامير التثبيت في العلبة السفلية للجهاز ثم إزالة الغلاف السفلي.
- أفضل طرف توصيل البطارية قبل إخراجها، احرض على عدم إتلاف غلاف البطارية لتفادي الخطر.
- يرجى إخراج البطارية إلى وكالة إعادة تدوير متخصصة للتخلص منها.

- The word "dreame" is the abbreviation of Dreame Technology Co., Ltd. and its subsidiaries in China. It is the transliteration of the company's Chinese name "追觅", which means striving for excellence in every endeavor and reflects the company's vision of continuous pursuit, exploration and search in technology.
- Das Wort "dreame" ist die Abkürzung von Dreame Technology Co., Ltd. und seinen Tochterunternehmen in China. Es ist die Transliteration des chinesischen Namens "追觅" dieser Firma, was für das Streben nach Vollendung steht und die Vision des Unternehmens widerspiegelt, nämlich im Bereich der Technologie unaufhaltsam weiterzustreben, zu erforschen und entdecken.
- Dreame est l'abréviation de l'entreprise chinoise Dreame Technology Co., Ltd. et ses filiales, qui est la traduction phonétique du nom chinois de l'entreprise « 追觅 », reflétant la vision de l'entreprise qui consiste à poursuivre, explorer et rechercher constamment les avancées technologiques.
- La parola "dreame" è l'abbreviazione dell'azienda Dreame Technology Co., Ltd. e delle sue filiali in Cina. È la traslitterazione del nome cinese dell'azienda "追觅", che dimostra la continua ricerca, esplorazione e visione di ricerca dell'azienda nella tecnologia.
- La palabra "dreame" es la abreviatura de Dreame Technology Co., Ltd. y sus subsidiarias en China. Es la transliteración del nombre chino de "追觅", que significa luchar por la excelencia en cada esfuerzo y refleja la visión de la compañía de continuamente buscar, explorar e investigar en tecnológiás.
- Dreame — сокращённое название китайской компании Dreame Technology Co., Ltd. и ее дочерних предприятий. Dreame является транслитерацией названия компании на китайском языке « 追觅 », в котором отражено корпоративное видение компании в сфере науки и технологий — непрерывный поиск, исследования и стремление к успеху.
- Sowo "dreame" to skrót od Dreame Technology Co., Ltd. i spółek w Chinach. Jest to transliteracja chińskiej nazwy firmy "追觅" co oznacza dążenie do doskonałości w każdym przedsięwzięciu, odwierciedlając wizję firmy, jak jest ciężkie prowadzenie, odkrywanie i poszukiwanie w nauce i technologii.

Dreame Technology Co., Ltd. and its subsidiaries. זהו תעתיק המבוסס על צליל השם הסיני "追觅" וממחיש בתוכו את חזון החברה לחפש ולדרוף באופן בלתי פוסק בתחום הטכנולוגיה.

دريم هي مؤسسة صينية ويطلق على شركة دريم للتكنولوجيا المحدودة والشركات التابعة لها، وتعكس الترجمة الصوتية للمسمى الصيني "追觅" رؤية الشركة للسعي المستمر والاستكشاف والبحث في التكنولوجيا.



For more information, please visit www.dreame-technology.com
 Manufactured by: Dreame Trading (Tianjin) Co., Ltd.
 Made in China

VWV7-EU-A00